

# H1101, 1102 Herbal Aromatherapy Ion Facial Steamer

## ●Product Feature

### >H1102 Feature

New appearance, stainless steel setting base, built-in ultraviolet strip lamp, threaded water cup setting and flush bonding airproof ring design, avoid water and gas leakage greatly.

### >H1101 Feature:

It not only has the basic function as 1102 Herbal Aromatherapy Ion Facial Steamer, but also micro-computer control, third gear mist setting, automatically monitor water level. This machine owns automatically monitor warning system of ultimate high-low water level, in case low water level to harm the heating groups or cause the spray water hidden trouble due to too high water level. Meanwhile, eliminate the safe trouble caused by the steamer turn on without water.

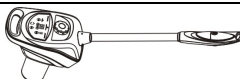

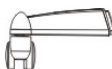




## ●Function:



- 1) Soften the dead cells on the surface skin for the next cleaning treatment.
- 2) Stretch skin pore for deep cleaning.
- 3) Permeate into the skin pore, Soften the cumulated oil dirt, blackhead, cosmetic remain and dirt, which make the next cleansing treatment more efficient.
- 4) Help the skin pore to exclude toxin.
- 5) Soften wrinkle temporarily.
- 6) It can accelerate blood circumfluence, add water to cell, and improve the metabolism and self-regeneration of skin cell.
- 7) Applying the proper Chinese herbal medicine during the steam treatment, it can improve the effect of curing acnes, black spot and whiten, nourish skin.
- 8) With aromatherapy treatment, stimulating the partial nerve and nursing the physical function in effective way.

## ●Specifications and Technical Data:

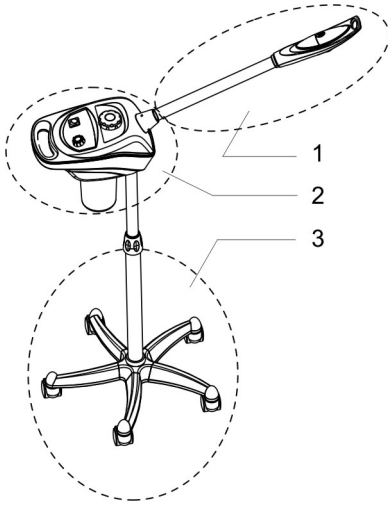
|                            |   |  |
|----------------------------|---|--|
| <b>Product Name</b>        | Micro-Computer Herbal Aromatherapy Ion Facial steamer | Herbal Aromatherapy Ion Facial steamer |
| <b>Item No.</b>            | H1101   | H1102                                  |
| <b>Function</b>            | Herbal/Aromatherapy/Ion Facial Steamer                | Aromatherapy/Ion Facial Steamer        |
| <b>Rated Voltage/Power</b> | AC. 110-130V/750W<br>AC. 220-240V/800W                | AC. 110-130V/750W<br>AC. 220-240V/800W |
| <b>Working Frequency</b>   | 50/60HZ   | 50/60HZ                                |
| <b>Dimension</b>           | 101*39*27 CM  | 101*39*27 CM                           |
| <b>N.W</b>                 | 5.5 KG  | 5.3 KG                                 |

## ●Packing list:

| Item                        | Product Description   | QTY           |
|-----------------------------|---|---------------|
| <b>Host machine</b>         |  | <b>1 SET</b>  |
| <b>Column</b>               |  | <b>1 PCS</b>  |
| <b>Five Feet Standing</b>   |  | <b>5 PCS</b>  |
| <b>Five Feet Base</b>       |  | <b>1PCS</b>   |
| <b>Five Feet Plat Broad</b> |  | <b>1PCS</b>   |
| <b>M10 screws</b>           |  | <b>1GROUP</b> |
| <b>Wrench</b>               |  | <b>1 PCS</b>  |

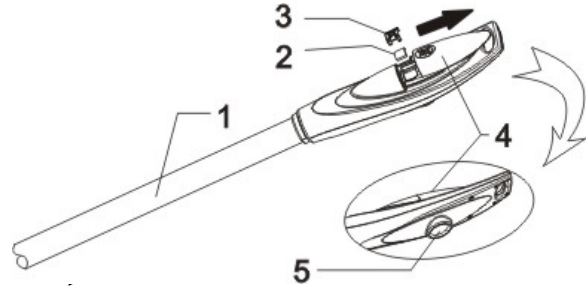
|                         |   |              |
|-------------------------|---|--------------|
| <b>Essence cotton</b>   |  | <b>3 PCS</b> |
| <b>fixing sleeve</b>    |  | <b>1 PCS</b> |
| <b>User Instruction</b> |   | <b>1 SET</b> |

● **Steamer Structure Description**



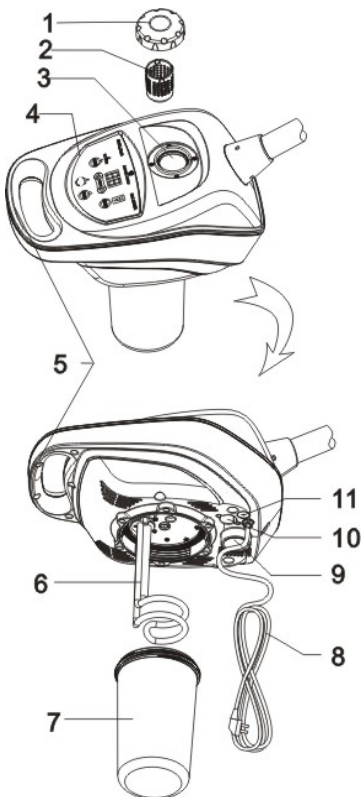
1. Spray Arm Groups
2. Host machine
3. Standing

● **Spray Arm Groups**



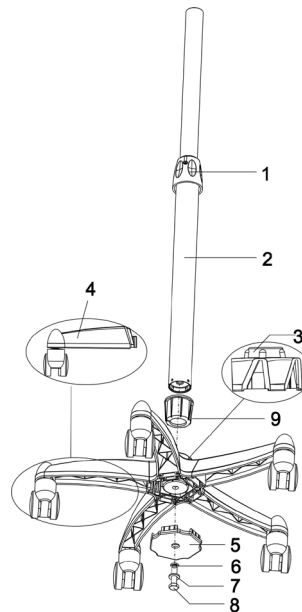
1. Spray Arm
2. Essence oil Cotton
3. Essential oil base
4. Essence sliding Cover
5. Steam Outlet

● **Host machine Description**



1. Herbal Cover
2. Herbal Net
3. Atomization room
4. Control Panel
5. Host Handle
6. Heating Pipe
7. Water Cup
8. Power Cord
9. Column setting hole
10. Starter
11. Fuse base

● **Standing Description**



1. Column setting screw
2. Column
3. Five Feet Base
4. Five Feet standing
5. Five feet plat board
6. Ø10 Spring Lamination
7. Ø10 Flat Shim
8. M10 Bolt
9. fixing sleeve

**●Assembly Instruction**

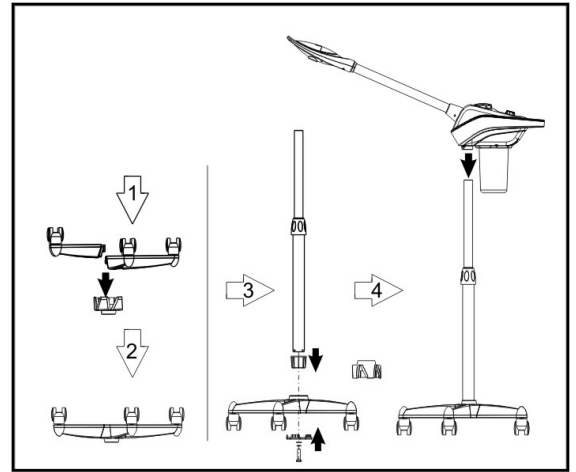
**Step 1:** Press the five feet cover to the five feet base

**Step 2, 3:** Set the column combine with the fixing sleeve in the five feet base;

Fix the five feet plat board on the five feet;

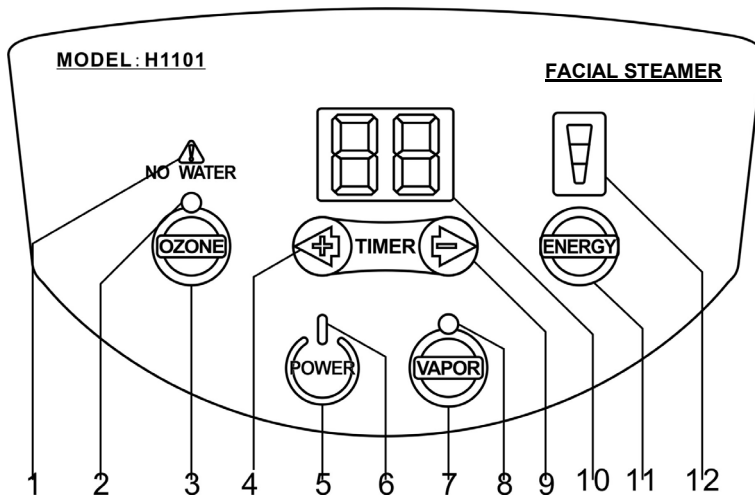
Put the flat shim and spring lamination to the M10 Screws, and then fix the five feet plat board and the five feet to the column by the M10 screws.

**Step 4:** Put the host machine in the column.



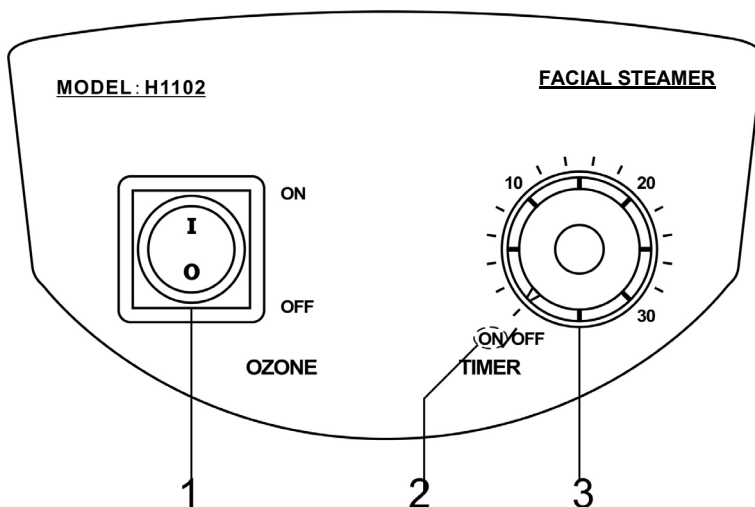
**●Panel Description**

**>H1101 Micro Computer Herbal Aromatherapy Ion Facial Steamer**



1. High/Low Water Warning Indicator Light
2. Ozone Working Indicator Light
3. Ozone Power Switch
4. Timer Increasing Key
5. Power Switch
6. Power Indicator Light
7. Hot Vapor turn on Key
8. Hot Vapor Working Indicator Light
9. Time Decreasing Key
10. Time Display Window
11. Energy Selection Key
12. Energy Display Window

**>H1102 Herbal Aromatherapy Ion Facial Steamer**

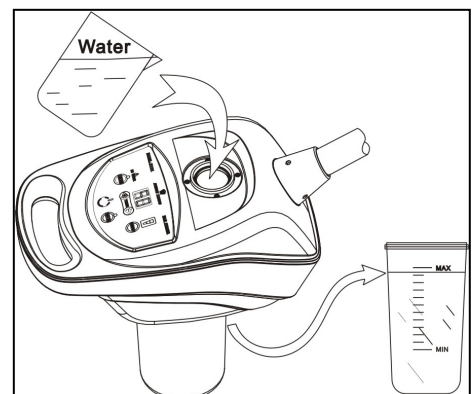


1. Ozone Power Switch
2. Hot Spray Working Indicator Light
3. Timer

**●Usage Instruction**

**1. Put water into the cup**

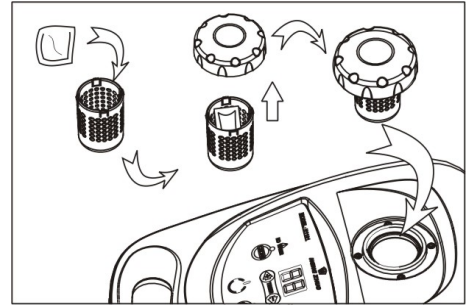
Put water into the cup after open the herbal medicine cover.



The water level should be between the highest and lowest of the water scale marks (As picture shown).

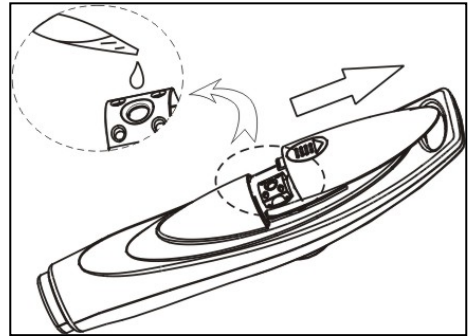
## 2. Adding Chinese herbal medicine

If there's need herbal spray treatment, take the herbal medicine net from the herbal cover, after putting herbal medicine into the net then put it back to the herbal cover, then screw up the herbal cover in the water hole (As picture shown).



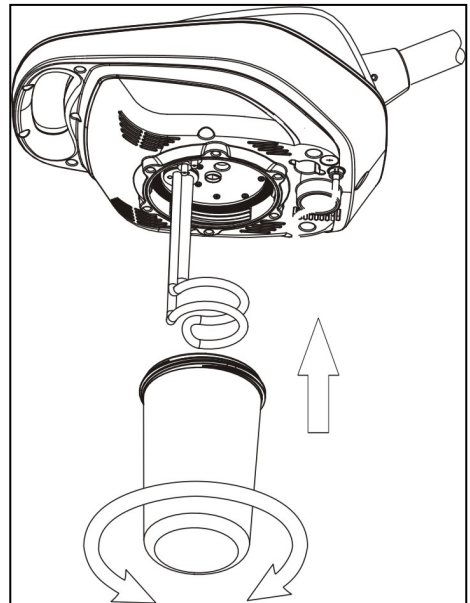
## 3. Adding essence oil

If there's need essential oil spray therapy, open the essential oil sliding cover on the top of the nozzle, and use burette drop essential oil into the cotton pallet(one or two drops of essential oil are enough). (As right picture shown)



## 4. Water cup installation and removal

- a) Cut off the power before removing the water cup
- b) Pressing the herbal medicine cover in one hand, and rotate clockwise by holding the bottom of the cup in another hand.
- c) Vice versa, cut the power before install the water cup, pressing the herbal cover in one hand, and rotate counterclockwise by holding the bottom of the cup in another hand.(As picture shown)













## >H1102 Herbal Aromatherapy Ion Facial Steamer control panel operation:



1. Plug the power plug.
2. Turn on the timer clockwise; rotate the pointer to the place of needed working time.
  - a) Timer indicator light on when in working.
  - b) Heating pipe starts working after switch on.
  - c) Steam sprays out from the spray hole around six minutes. Open the ozone function at this time when needed.
3. Turn on ozone function
  - a) Turn on the "OZONE" switch
  - b) "OZONE" switch indicator light on at this time
  - c) Ozone pipe starts working when turn on power switch.
  - d) Obviously ozone smells in the steam with distinct atomization phenomenon.
4. Steam will spout during working and the water level will be low continuously. It should be turned "TIMER" to "OFF" and cut the power at the moment of the water level close to the low level mark. Take the herbal



medicine cover down after one minute, and pour water to the cup for continuing work. (water level should not exceed MAX level)


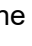
### >H1101 Micro Computer Herbal Aromatherapy Ion Facial Steamer control panel operation:




1. Plug the power plug.
2. "0" power indicator light on of the power key  when turn on the power key , motor goes on standby status.
  - Time window displays "15"minutes.
  -  on the energy window shown the largest gear.
  - Ozone working status indicator light  on the  ozone switch is off.
  - Spray working status indicator light  on the  is off.
3. Turn on the hot spray key  " " 

Turn on the spray key, spray working status indicator light  on the  lights. At this time, the host begins heating, steam spouts from the nozzle around six minutes.
4. Time setting 

Time setting: press key  and  for "TIMER" to set up the working time according needed, time range 1~30 min.
5. Energy setting 

Energy setting: Press  to select the output of the mist, there are high, middle and low mist for selection; the  display window lights full means the highest energy, contrary means the lowest energy. Before the mist spouts should be selected the highest level in using, then adjust the mist according needed.
6. Turn on the ozone function 

Press the ozone switch , the ozone working status indicator  is on; At this time, ozone pipe turns on, obviously ozone smells in the steam with distinct atomization phenomenon.
7. The water level alarm system 

The system will check the water level automatically during heating. If the water level is within normal status (between the max and min water level), the host machine will be continued to heat; When the water level is detected too height or to low by the host machine(The time display window show "E2"when the water level is too high ,when the water level is too low, the time display window show "E1"),the host machine will be stop heating right away automatically, While spray working status indicator light  on the  is off, and buzzer sound the alarm with "Dee Dee", the water alarm indicator light twinkle all the time, and lock all the key at the time until the water level come back to the normal ,and then you can restart the power key  to let the machine re-work.

#### ●Attention:

1. Before turn on the power of the host machine, please confirm the water cup was screwed down, the water level was between the highest and lowest water level mark, and the herbal medicine cover was covered well in the water hole.
2. If there's needed to add essential oil under working condition, please all it after pause the mist spray.
3. If there's needed to add herbal medicine package during spray, it has to stop mist spray for one minute to open herbal cover. Please open the herbal medicine cover one minute after stop the mist spray.
4. It must be clean the cotton pallet in the essential oil base and the herbal medicine package in the herbal medicine net after stop using aromatherapy or herbal spray everyday.
5. It has to wait the mist came out from the spray hole steady and well-proportionally before facial spray.
6. The spray hole is 40cm away from customer's face and spray steam should be from customer's chin to whole face proportionally to avoid scald the customer's face due to hot spray steam.
7. Ozone has sterilization effect, but it also will harm skin and destroy nutrients of herbal, so it's important to select suitable time for different skin type when using.
8. It's not allowed to take water cup apart when just finish using spray otherwise will cause scald. Please wait water cup cold then take it apart.
9. It's necessary to avoid over adding water, otherwise it's not only make bad effect to the host machine, but also may cause the problem of leakage of electricity
10. If there're problems of water leakage and gas leakage happen underneath the host machine or at the herbal medicine cover, remember cut off the power of host machine first and then check whether the water cup or herbal medicine cover well assembled. If the problems still don't be solved, please contact local agency for further

Solution:

11. It should have good ground connection for the power plug of host machine.
12. When item H1102 under continuous working mode, if water level under lowest mark without adding water, the temperature protection system will react right away to cut off the power temporarily. At this time should add amount of water in time, otherwise temperature protection system would cut power again and again until burnout the heating system. The host machine will return to normal working condition after adding water for 1-3 minutes.
13. Pay attention to the water level of the water cup frequently when operation.

### ●Warning!

1. It's forbid to put oily material into water cup or herbal net; it may cause the problem of water spray.
2. it's forbid to use tap water or water with much impurities. We suggest to use purified water, distilled water or filtered water, otherwise, it will cause detection failure and false positives.
3. It's not allowed spray from the above of the face by the steam hole, otherwise may causing scald.
4. It's not allowed to take the herbal cover and water cup apart under machine is spray.
5. It's not allowed to put this machine in the over humidity environment to work, for example: bath room etc.
6. It's not allowed working under projective sunshine, otherwise will cause many kind of unsteady conditions.
7. If there's any exceptional problem, please contact the agency to let professional maintainer to repair instead of opening the host machine cover to repair by you.
8. If power cord is destroyed, it's better to choose the accessories from the original factory. It's not allowed to repair by un-professional personnel; you should go to appointed repair agency to change.

### ●Maintenance

- Change the clean water before using every day. Clean the water cup thoroughly when finish operating and avoid the accumulation of grease and other residue.

- Clean heating groups one time every week. (Tips: Mix some acetic acid or citric acid with water to the water cup for washing, after heating for one minute then using clean water to wash heating tube.)
- Pay attention to the water level of the water cup frequently.
- Cleaning the machine after using, avoid accumulation by beauty leftover.

If the picture on owner manual is different from the current product , then pls subject to current product. Our company will keep our right to improve .Pls forgive that the improvement would not notify if it is not affect normal use