

AURA SERIES

Toilet roll holder with shelf



AI2003B
Black finish



AI2003C
Bright finish



AI2003CS
Satin finish

Descripción general

- Toilet roll holder with shelf to hold mobile phones or other small objects, made of AISI 304 stainless steel, from Mediclinics' Aura series.
- The integrated shelf is an ideal place to leave small objects, such as mobile phones, keys, watches, air-fresheners, etc.
- Ideal for installing in your own home, as well as public bathrooms, such as hotels, bars, restaurants, offices, etc.
- With a modern and intelligent design, this toilet roll holder with shelf has a slightly inclined arm with a stopper to prevent the toilet roll from falling off during use.
- Made with high-quality, durable and anti-corrosive materials.
- Suitable for most sizes of toilet rolls.
- This bathroom accessory includes stainless steel hardware for installation on brick walls.

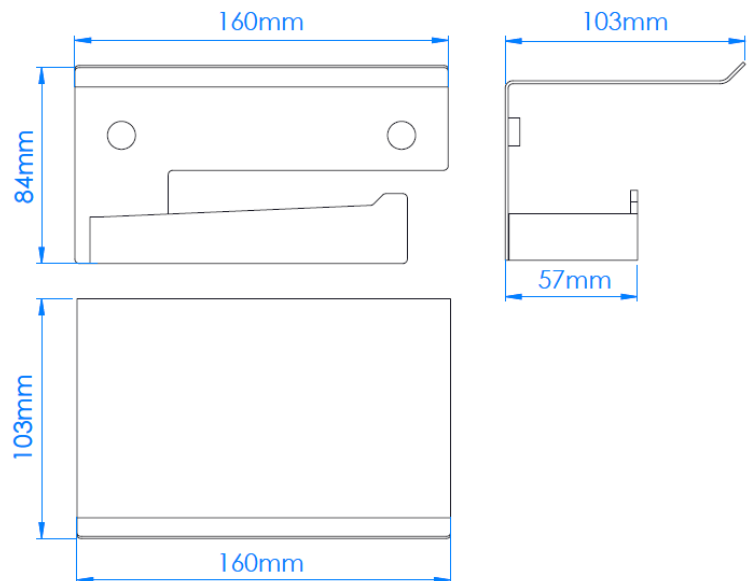
Componentes y materiales

- **AI2003B:** toilet roll holder with shelf made of AISI 304 stainless steel black finish.
- **AI2003C:** toilet roll holder with shelf made of AISI 304 stainless steel bright finish.
- **AI2003CS:** toilet roll holder with shelf made of AISI 304 stainless steel satin finish.
- **PAPER ROLL AXIS:** made with 3 mm thick AISI 304 stainless steel sheet. Designed with a slight inclination and an end stopper to prevent the roll of paper from falling out during the operation. Fixed to the wall bracket through welding.
- **WALL-SHELF BRACKET:** of one-piece 90° bent, made of 1.5 mm thick AISI 304 stainless steel sheet. The shelf has a 45° fold at its end to avoid falling objects deposited on it.

Technical Specifications

Dimensions	160 x 84 x 103 mm
Paper roll axis thickness	3 mm
Wall-shelf bracket thickness	1,5 mm
Net weight	380 g

Dimensions



Dimensions: ± 4%