

Gentle 4128



Wellness & Spa

Foot SPA chair



Weelko has a new SPA pedicure armchair: **Gentle**. A comfortable and elegant Wellness & Spa armchair which will stand out in your centre for its charming personality. Its white colour, comfort, shape and movements will provide a unique experience to your customers. They will be taken to the next level!

This elegant and modern chair is furnished with high-quality white PU upholstery. It is equipped with 2 motors that control the inclination of the backrest and the back and forth stroke of the seat by means of a button panel built in the armrest. The backrest is also equipped with a very comfortable cushion that can be raised or lowered. Its pivoting armrests allow easy access to the chair. Whirlpool foot-SPA basin with shower and LED lights. Manually height-adjustable footrest.

Its pivoting armrests ensure ease of access for the client. This pedicure armchair also provides a basin made of high-quality acrylic with spa function for extra comfort. When connected to the water supply, it gives the option of working with hot and cold water and to empty the basin after each treatment. Adjust the position of the chair if necessary to welcome every new client... and relax!

Gentle 4128



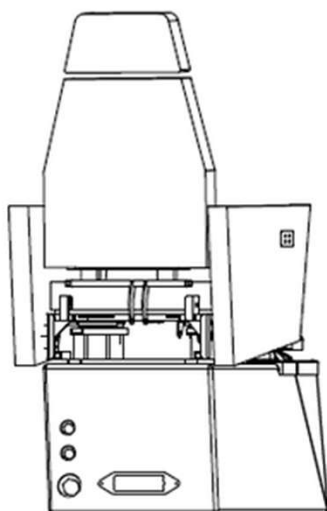
Foot SPA chair



Installation

This product is packed in a box with the following weight and dimensions: 130 x 79 x 97 cm / G.W. kg 77,5 kg / N.W. kg 66,5 kg. Installation and assembly instructions can be found below:

- The chair must be placed in the proper location, according to the distribution of your centre and the lighting. It is recommended to keep it in a dry, clean and cool environment. It is also important to place it next to the water supply and drain to get the installation done.
- When first opening the box, make sure the product remains intact, with the original accessories or complete replacement parts.
- Once the location of the chair is established, it is not necessary to fix it to the floor with screws, because it is a very stable chair. However, it must be placed on a firm and flat surface. If the chair turns or tilts due to an uneven surface, please adjust the 4 plastic feet (M1 Qx3Q) and the nuts (M10) with an open-end hexagonal wrench on the bottom panel to ensure the stability of the chair.
- Insert the backrest vertically into the slot.



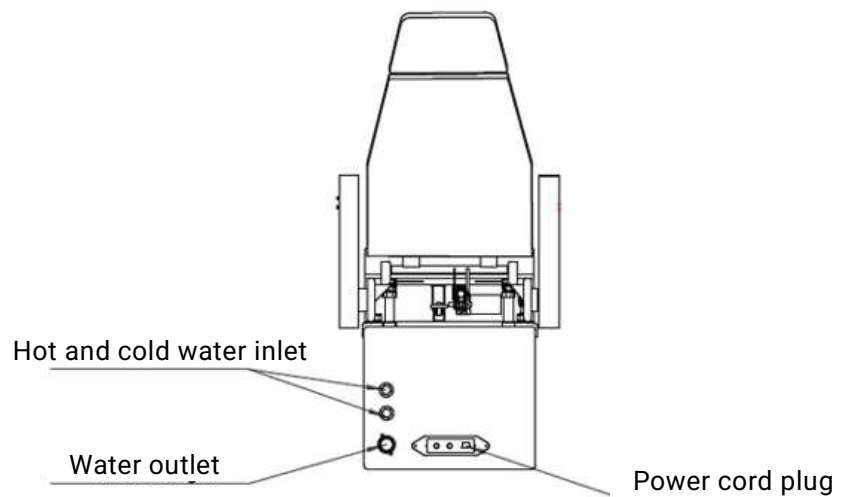
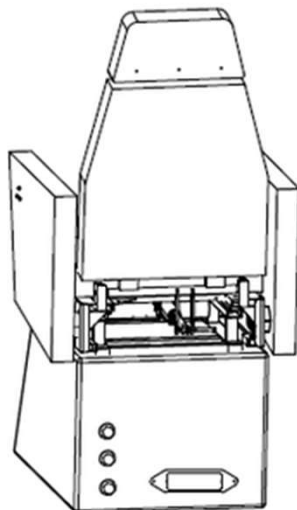
Gentle 4128



Foot SPA chair

Installation

- Install the motor shaft and fix the screw



Water inlet diameter:

External 21 mm
Internal 15 mm

Water outlet diameter:

External 47 mm
Internal 31 mm

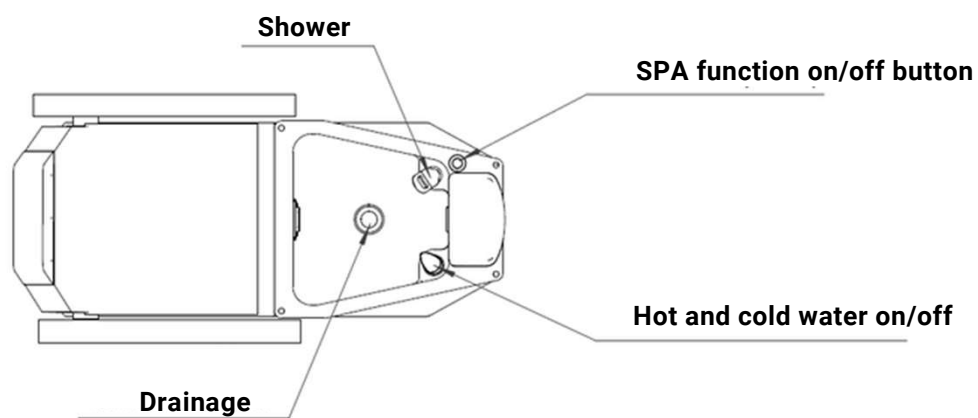
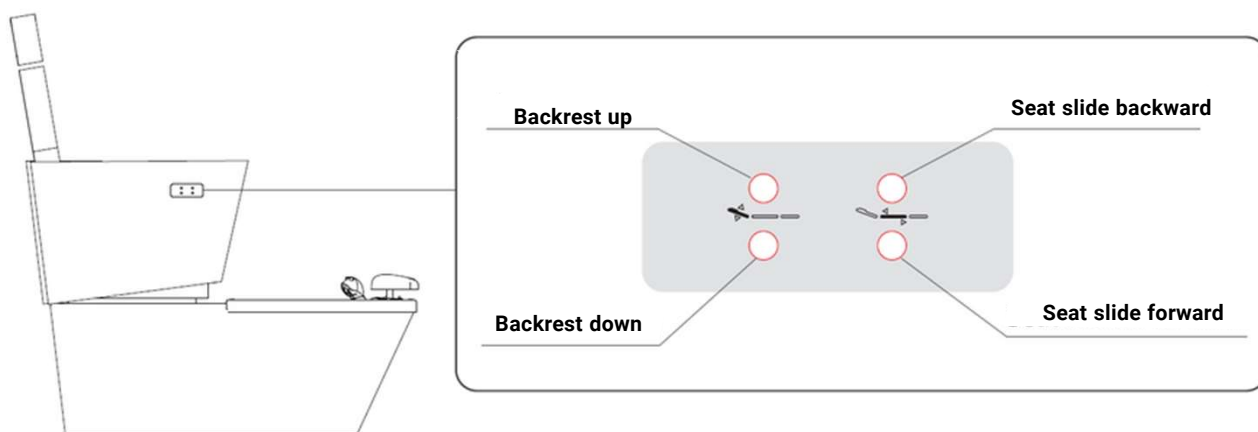


Gentle 4128



Foot SPA chair

General indications:



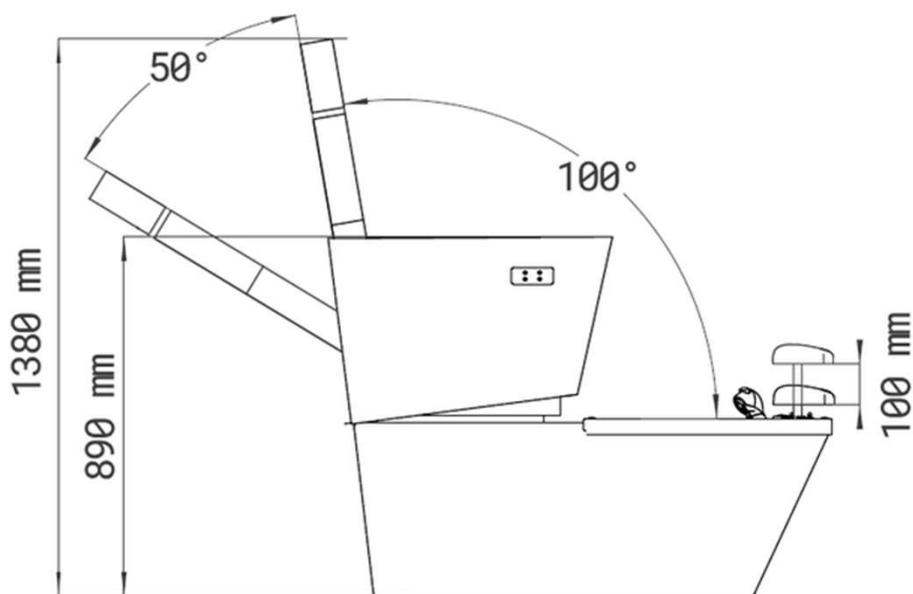
Gentle 4128



Foot SPA chair

Technical sheet:

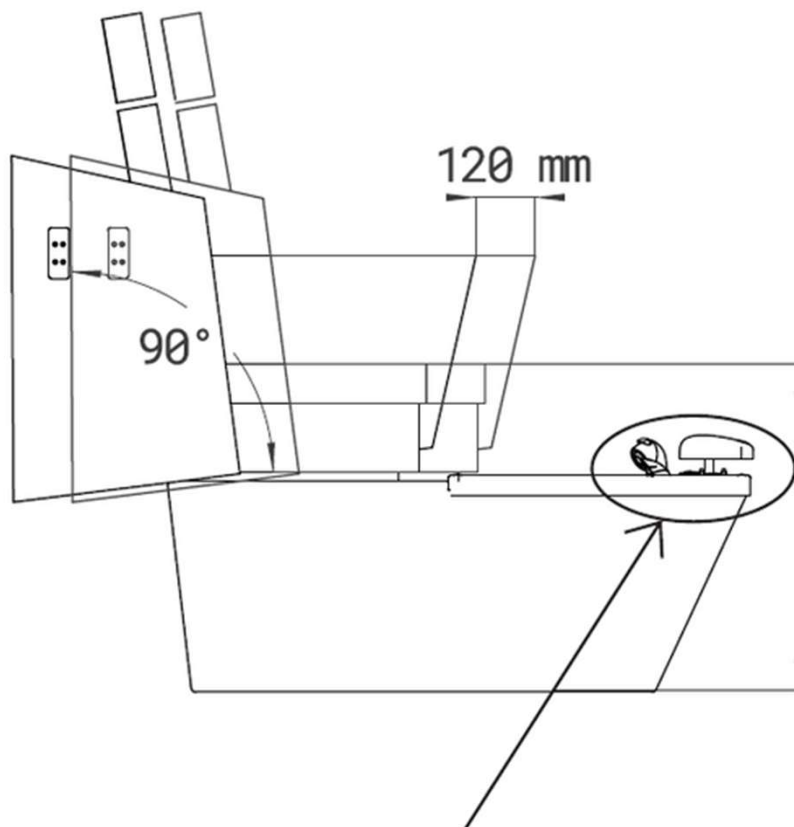
Voltage and frequency	AC 110-240V, 50/60Hz
Working power	250W
Max. loading weight	175kg
Max. water inlet pressure (Pa)	0.3Mpa
Packing size	130×79×97cm



Gentle 4128

Foot SPA chair

Technical parameters:



Adjusting the footrest:

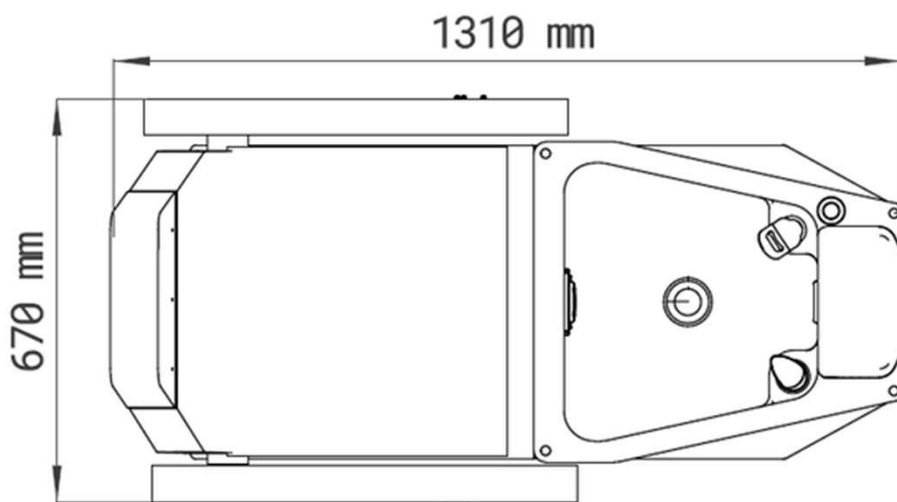
- The footrest height is adjustable in 6 fixed positions. Each position is separated by 10 mm. Max. 60 mm can be adjusted.
- Adjusting procedure: First, pull the footrest to the maximum height. Then push it down and pull it up 10 mm each time to adjust it as you wish.

Gentle 4128



Foot SPA chair

Technical parameters:



Maintenance:

- After each treatment, use only a neutral solution to clean the seat, the metal parts or other parts. Disinfectant solutions such as alcohol, alkaline or acid solutions must not be used to avoid shortening the life span of the chair.
- Lubricate the moving parts regularly (once a year).

Cautions:

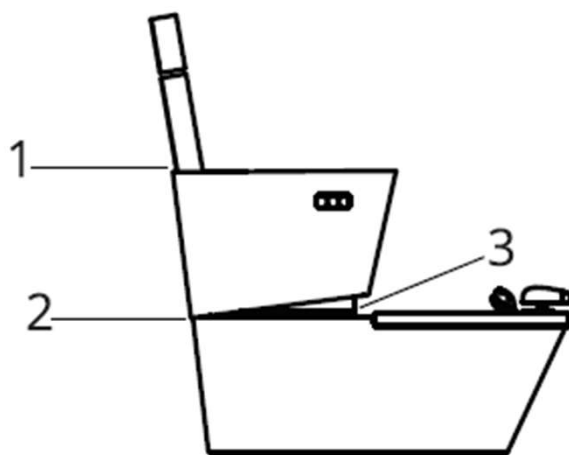
- Do not stand up on the chair.
- Do not allow children to play with the chair and keep it out of their reach.
- Adjust the backrest at its highest position when you finish using it.
- Do not place or use this product in places where works, repairs or painting are being carried out.
- This product should be used by trained professionals.
- This foot SPA chair may not be used by: people with physical disabilities, reduced sensorial or mental capacity, people with insufficient expertise, children (unless they are supervised by qualified personnel who can be responsible for their safety).
- In the event of a problem or error, please contact your distributor.
- Please make sure there is nothing inside the basin during the treatment.
- If there is a water leak, stop using this product until the leak has been repaired.

Cautions:

- Read this manual carefully before installing, using and adjusting this product. Save it on a convenient location.
- This equipment must be used by an experienced person who is familiar with the structure of the product and its functioning.
- To avoid any possibility of the chair tipping over, ensure that the weight on the chair is evenly distributed.
- Comply with the safety and operating regulations. Do not overload this product. Eliminate the risk factors to ensure the complete safety of the product.
- Tighten the screws and nuts regularly to prevent equipment failure.
- Once installed, the operator must not disassemble or manipulate any part of the foot SPA chair.
- In the event of any abnormal functioning or sound, stop the use of the product to undertake an immediate inspection.
- The operator must be familiar with the safety precautions described in each section of the manual to ensure his/her own security and the safety of the product.
- You should strictly follow the instructions on the warning label and use the product as intended.
- While the backrest or the seat is being adjusted, press and hold the button until it reaches the appropriate position.
- Regular maintenance must be performed.

Cautions:

- When adjusting each section, please keep your hands, feet and head away from the points shown below.



Troubleshooting:

Abnormal sound: Insufficient lubrication of the rotating parts, axis or joints. Apply some lubricating oil to fix the problem.

Basin waste leak: Wear and tear on the drain sealing ring. Replace it with a new one.

If the problem remains unresolved after following the steps above, please contact your distributor to solve it.

Details:



Details:



Yubitzay Avila
Customer Training
T. +34 93 824 9020
y.avila@weelko.com
S. Yubitzay Avila

Weelko Barcelona S. L.
Pol. Ind. La Valldan
Camí de Garreta, 92
08600 Berga
Barcelona – Spain
T. +34 93 824 9020
info@weelko.com
www.weelko.com