

SERVICE MANUAL

Let's Get Up bed handle.
From Trustcare.



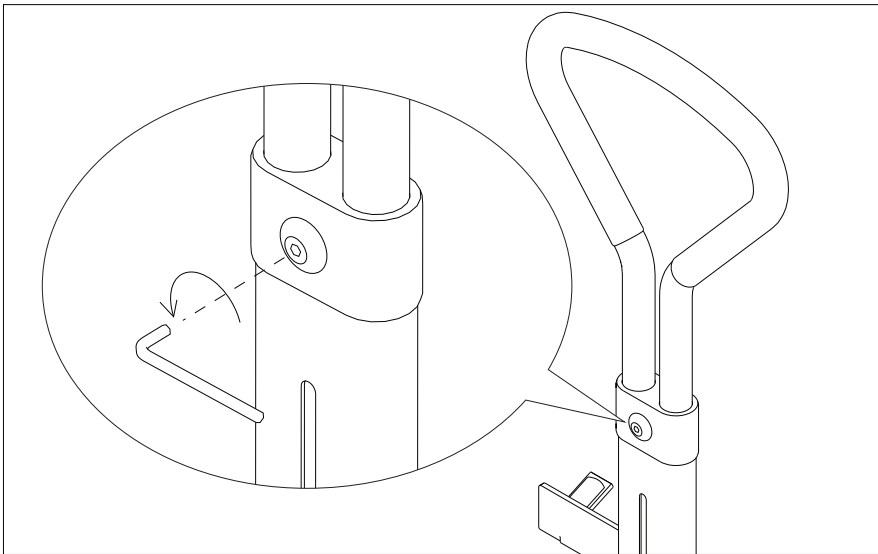
TABLE OF CONTENTS

Exchange of grab handle	Art. No. LGU330	Page 3
Exchange of grab handle adjustment set	Art. No. LGU325	Page 4
Exchange of bed bracket adjustment set	Art. No. LGU315	Page 5

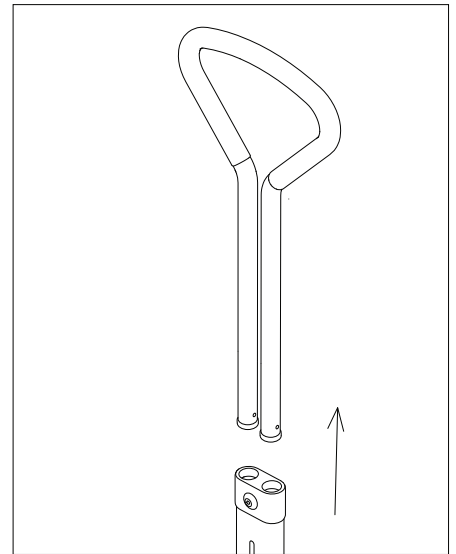
Exchange of grab handle.

Let's Get Up Spare part. Art. No. LGU330

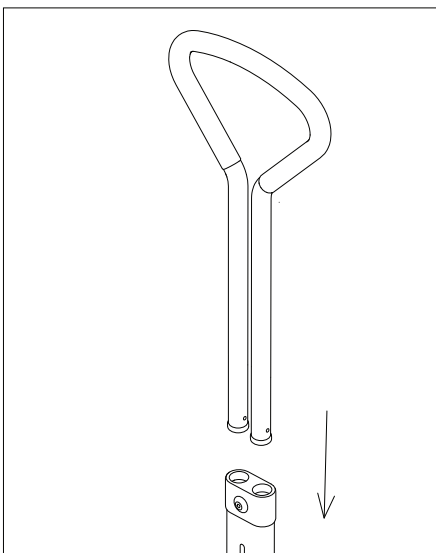
Let's Get Up Service Manual. Revision version No: 1 - May 2021



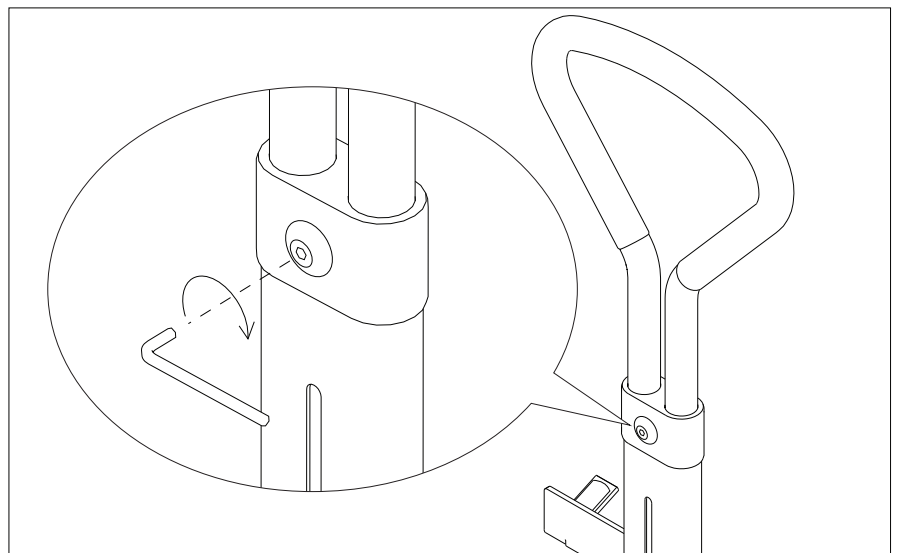
1. Loosen the handle height adjustment screw by using an allen key.



2. Remove the handle by pulling it up.



3. Insert the new grab handle.

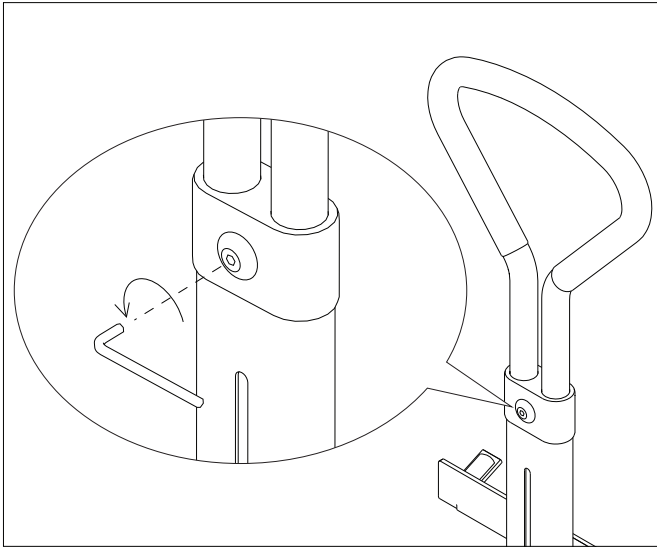


4. Tighten the handle height adjustment screw.

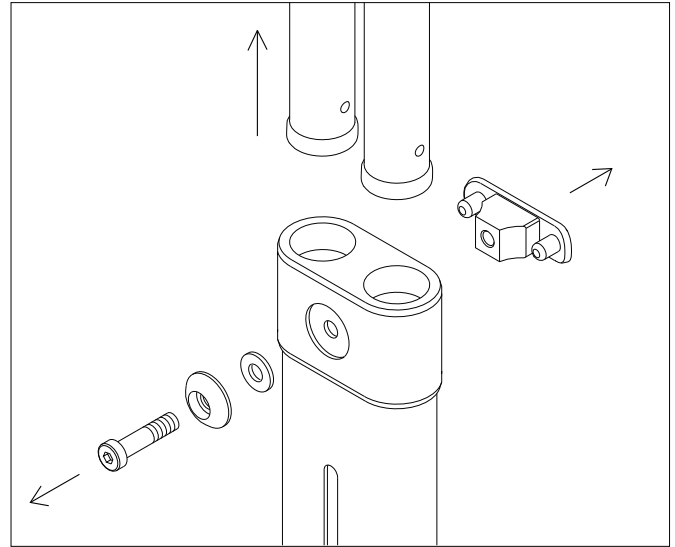
Exchange of grab handle adjustment set.

Let's Get Up Spare part. Art. No. LGU325

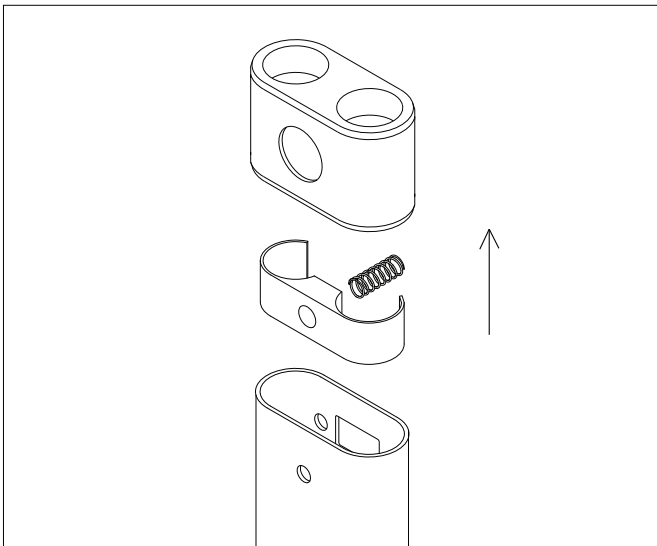
Let's Get Up Service Manual. Revision version No: 1 - May 2021



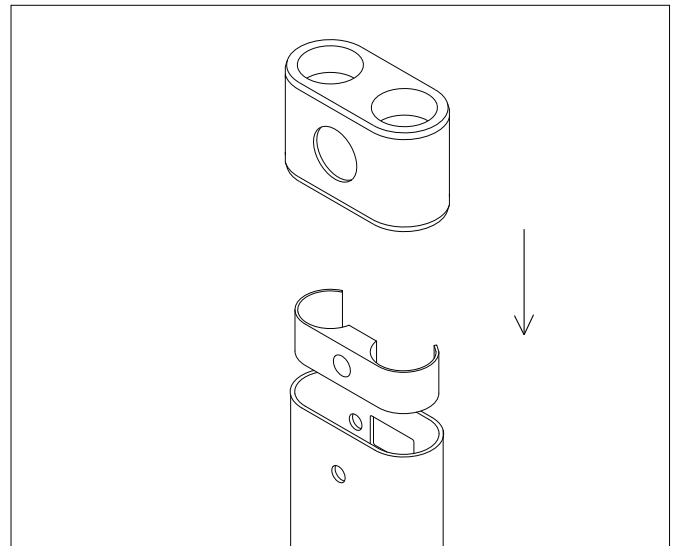
1. Loosen the handle height adjustment screw.



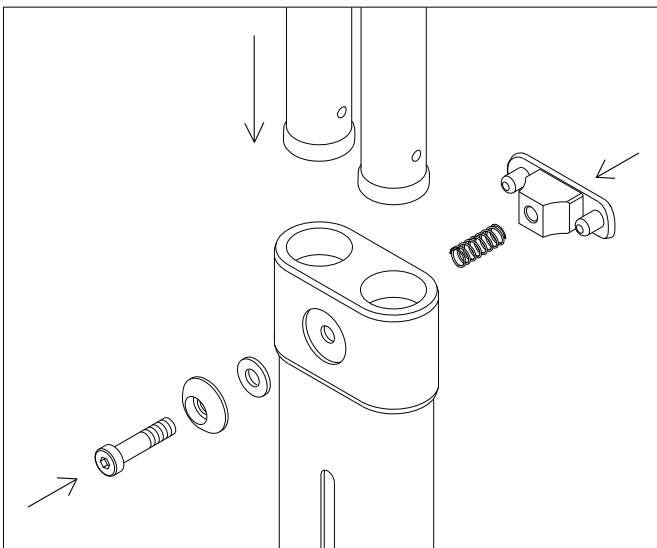
2. Remove the screw, the lock plate and the grab handle.



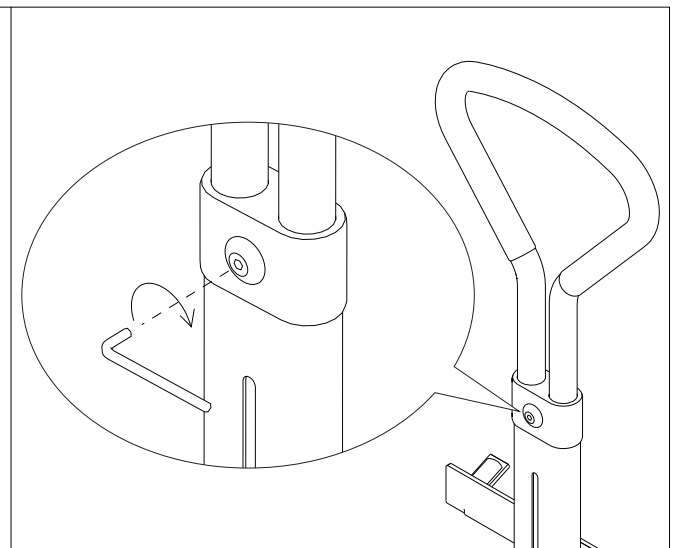
3. Remove the cover, tube slider and the spring.



4. Insert the new tube slider and place the the cover.



5. Insert the new screw and the spring with the lock plate. Finish by inserting the grab handle .

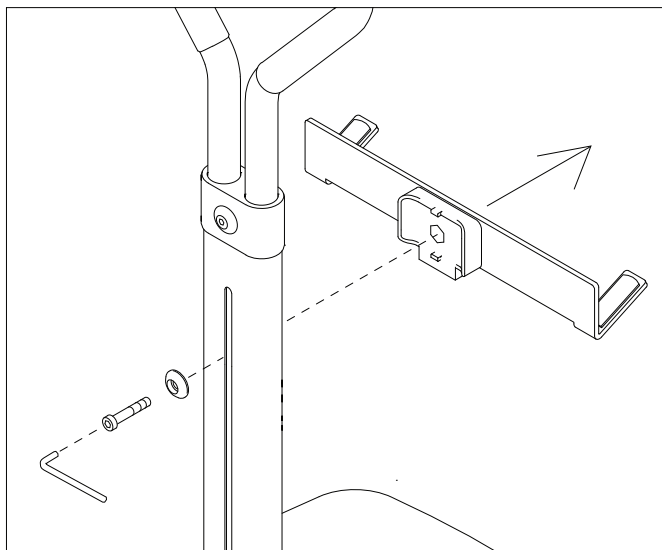


6. Adjust the grab handle to the desired position and tighten the handle height adjustment screw.

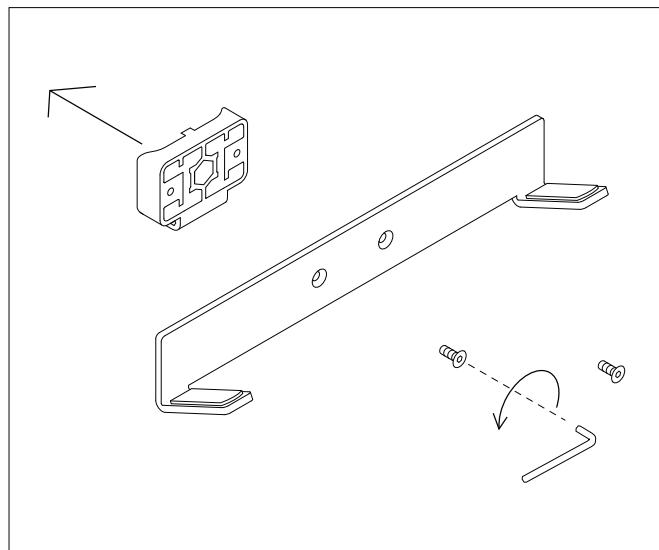
Exchange of bed bracket adjustment set.

Let's Get Up Spare part. Art. No. LGU315

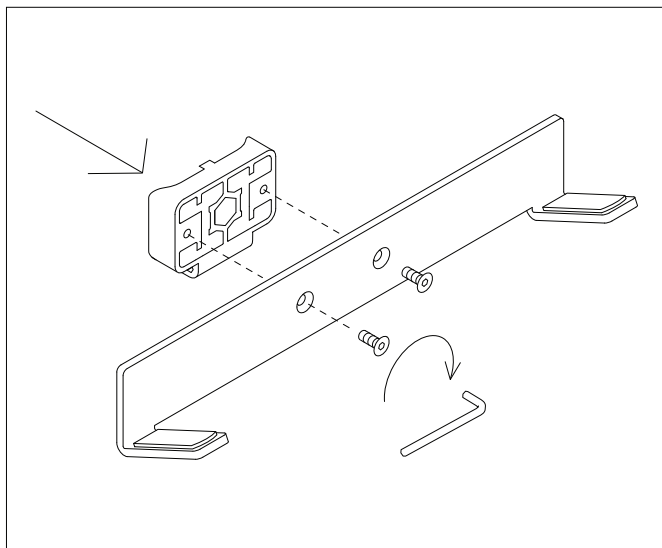
Let's Get Up Service Manual. Revision version No: 1 - May 2021



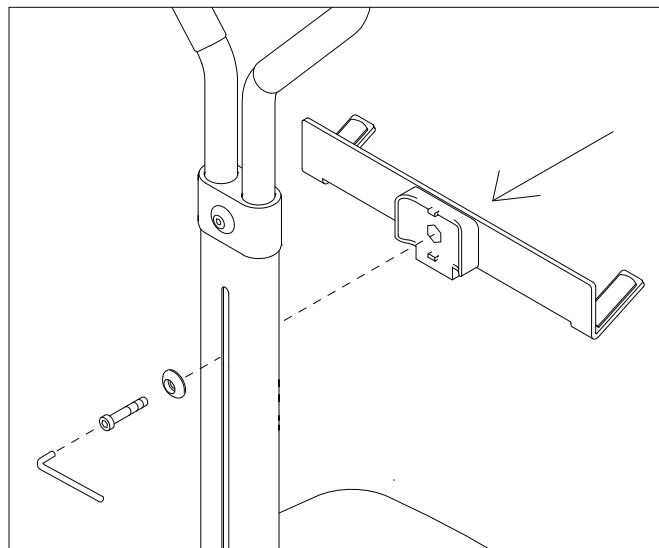
1. Remove the screw and the bracket assembly.



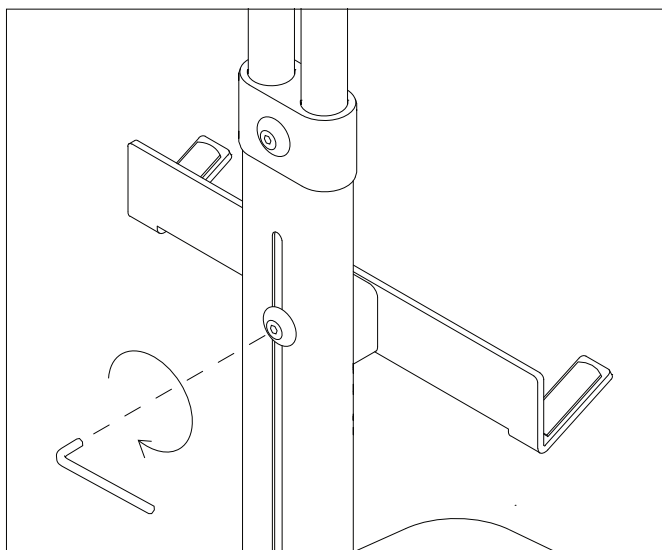
2. Remove the bracket bushing from the bed frame bracket.



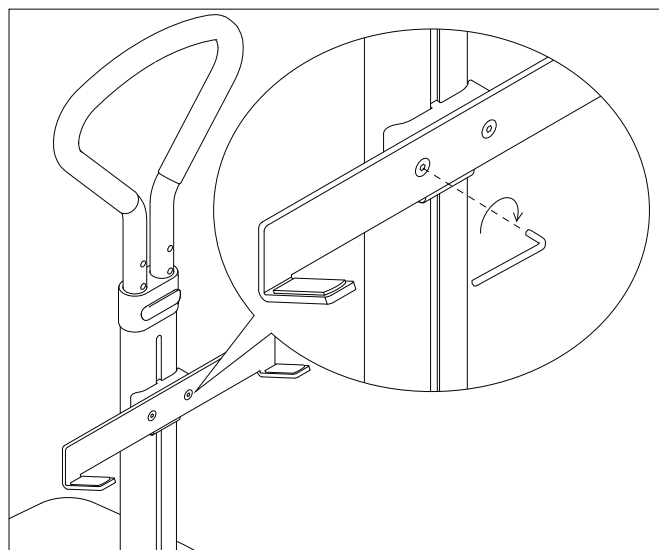
3. Attach the new bracket bushing and tighten the screws.



4. Insert the new bracket bushing and tighten the screw.



5. Make sure that the screw is secured.



6. Tighten both screws and make sure that the bed frame bracket is secured.