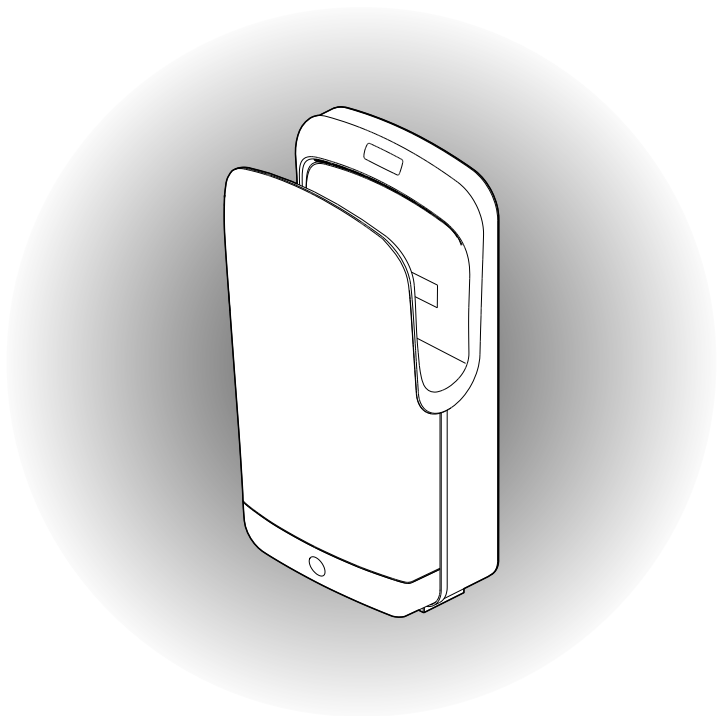


High-Speed Hand Dryer



Safety Cautions	1
Spare Parts	2
Dimension Drawing	2
Functional Introduction	3
How to use	4
Electrical wiring diagram	5
Installation procedures	6~8
Maintenance	9~10
Troubleshooting	11~12
Specifications	13

Introduction

How to use

Installation procedures:

Maintenance



Troubleshooting

- Thank you for your purchasing. Please read all of the instructions thoroughly before attempting the installation and operation.
- This manual should be kept for future reference.



Safety Cautions






These precautions are important for safe usage. Be sure to use the product correctly by following these precautions.

Symbols and meanings

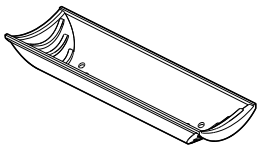
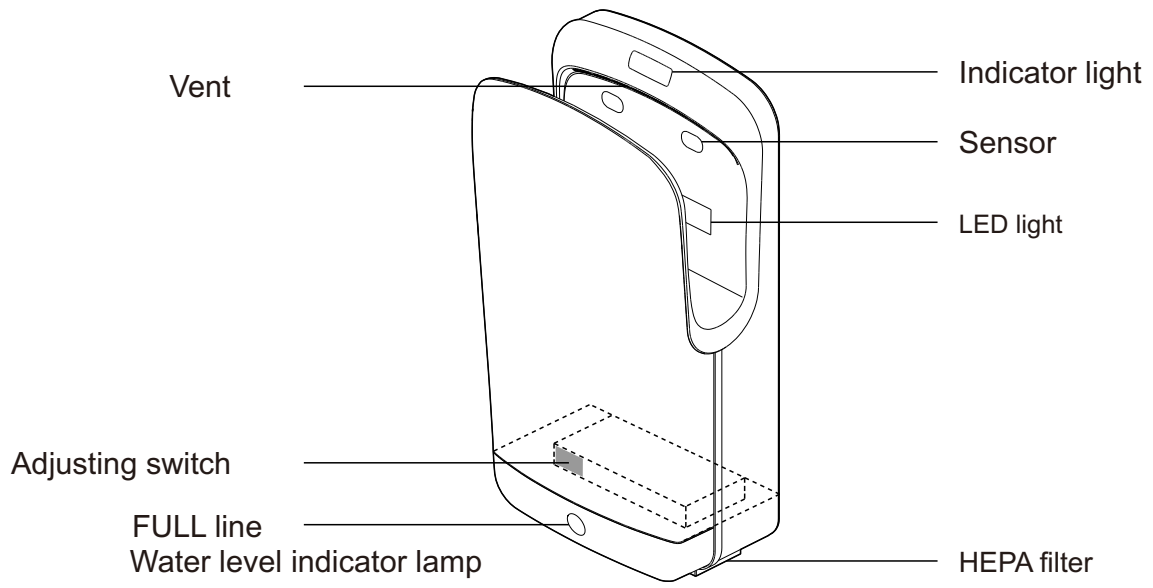
	WARNING	May result in death or serious injury.
	CAUTION	May result injury or property damage.

The following symbols are used to indicate important safety instructions for the use of the product.

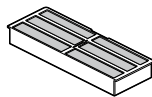
Symbol	Definition
	This symbol indicates a prohibited use of the product.
	This symbol is used to indicate a required in the use of this product.

 WARNING	
	<p>Always use specified power supply. Otherwise, a fire could result.</p> <p>Do not damage the power line. Continued use of a unit with a damaged line could cause fire, electric shock, or product problems.</p> <p>Never disassemble, repair or modify the product. Doing so could cause fire or electric shock.</p> <p>Do not stub out cigarettes on this product. Doing so could result in burns on the surface or cause a fire.</p> <p>Do not cover Air nozzles with hand or insert any object into Air nozzles. Doing so could result in burns or other product problems.</p> <p>Do not squirt water on the main dryer unit when cleaning it. Doing so could result in electrical shock or other product problems.</p>
	<p>Before cleaning, turn off the power switch. Failure to do so could result in sudden activation of the unit or electrical shock.</p>
 CAUTION	
	<p>Do not hang on, tread on, or lean on the product. Otherwise, there are risk of falling.</p> <p>While cleaning, pay attention to potential user; secure enough ventilation, and prohibit anyone from using the product. Users may become sick or suffer from abnormal bodily reactions depending on the soap or chemicals used for cleaning.</p>
REQUESTS	
<p>Use water-resistant material for nearby walls or floor as small water drops may spread about if a user moves hands violently when drying hands.</p> <p>Do not insert rubbish or foreign objects into Drying compartment. Doing so could cause malfunction.</p>	

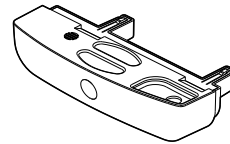
Spare parts



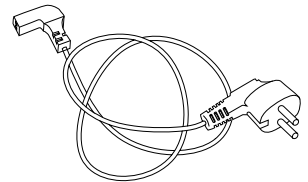
No-spill water channel



HEPA Filter

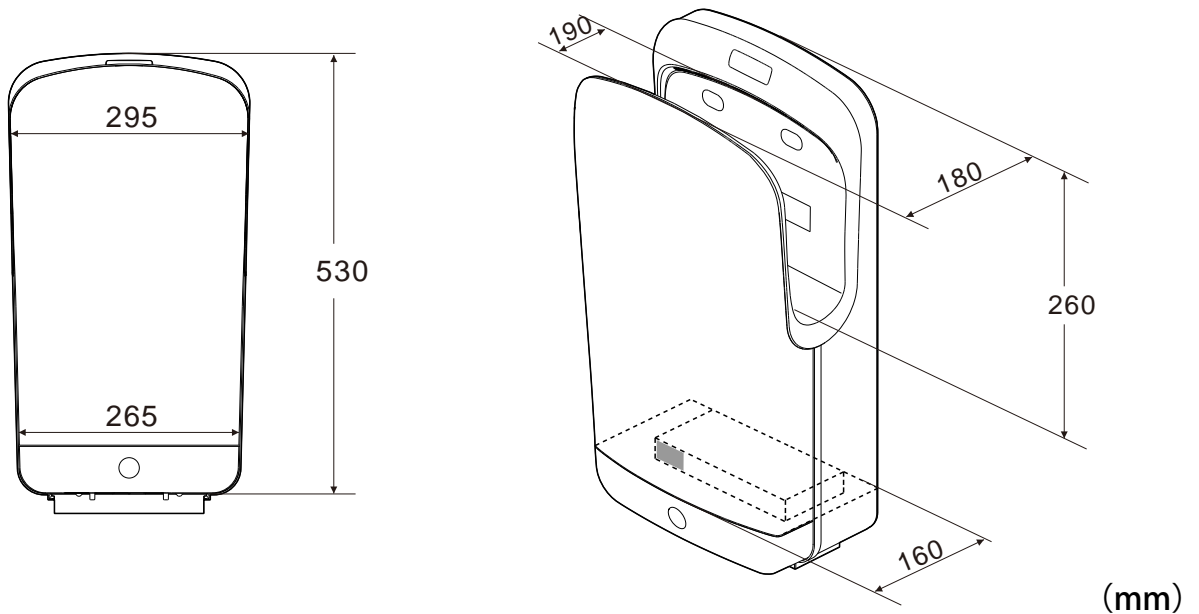


Drain tank

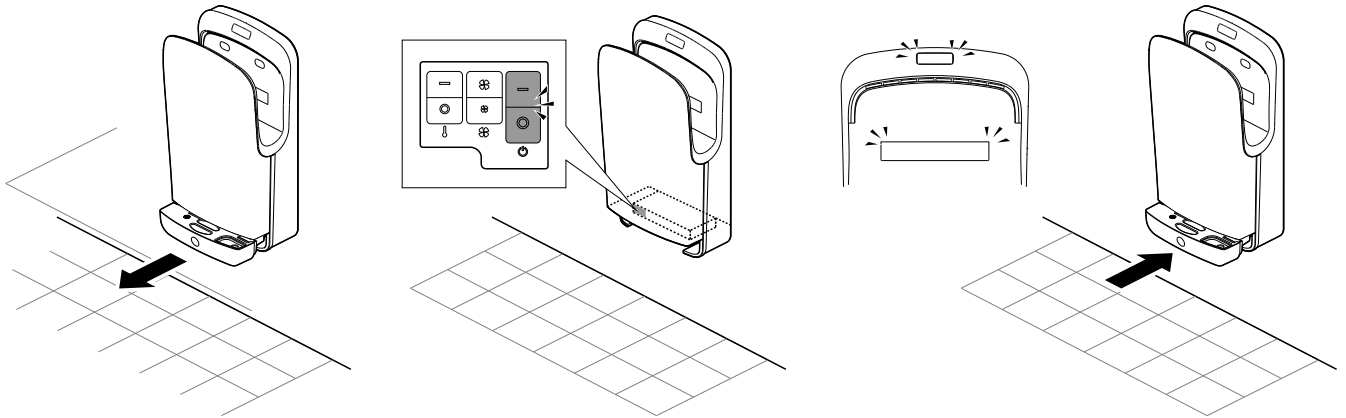


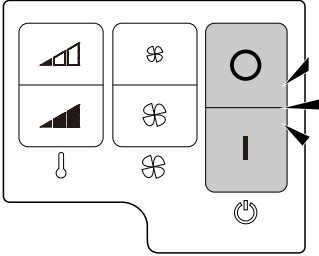


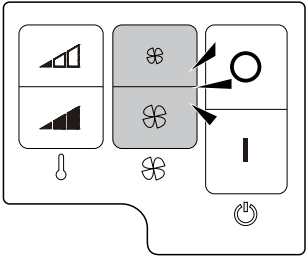

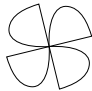
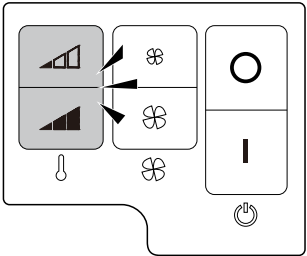


Power cord

Dimension Drawing



Functional Introduction

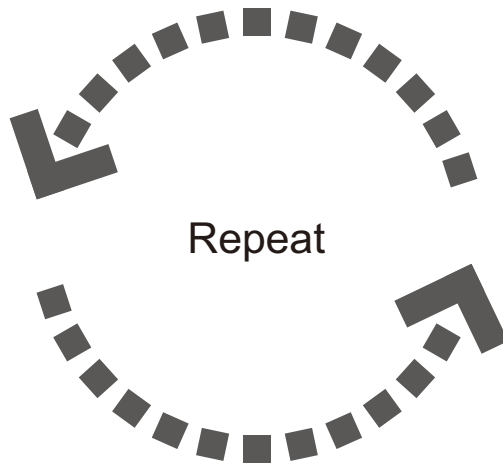


Switch	Mode	
		Power off
		Power on
		Low speed
		High speed
		Heater off
		Heater on

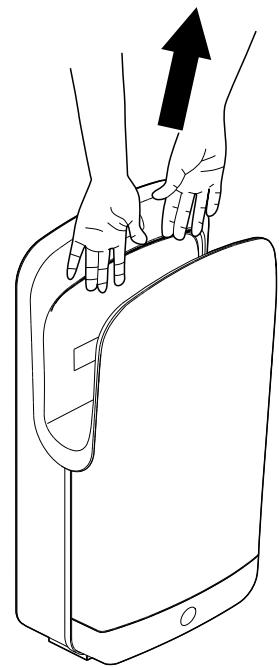
How to use



Outstretch fingers and insert hands all the way into the product.



Repeat



After the dryer is activated, slowly lift hands while water is blown off.

CAUTION

- Move hands side to side if dryer does not activate.

- Small water drops may spread around if user moves hands violently when drying hands.

Anti-damage timer

- The hand dryer stops automatically after approximately 30 seconds of continuous operation. In order to continue to use the product, remove hands again.

Installation diagram

⚠ WARNING



Do not install the product in a humid place or the place where water could drip onto, such as outdoors or a bathroom.
 Otherwise, a fire, electric shock or product problems could result.

Do not install the product in an area with corrosive or inflammable gas, dust, or salt.
 Otherwise, a fire, electric shock or product problems could result.

Do not use the product with any power supply other than specified. Otherwise, a fire could result.

Do not damage power line. Continued use of a unit with a damaged line could cause fire, electric shock, or product problems.

Never disassemble, repair or modify the product. Doing so could cause fire or electric shock.



Electric work must be done by qualified personnel following Technical Standards of Electric Equipment, Indoor wiring regulations, and the Installation Guide.
 Improper wiring could cause fire to ignite.

Install an earth leakage circuit breaker to the power supply.
 If the earth leakage circuit breaker is not installed, electric shocks could occur if there is a malfunction or a short circuit.

Use a power line of the rated capacity and connect it securely. An insecure connection may result in fire.

⚠ CAUTION

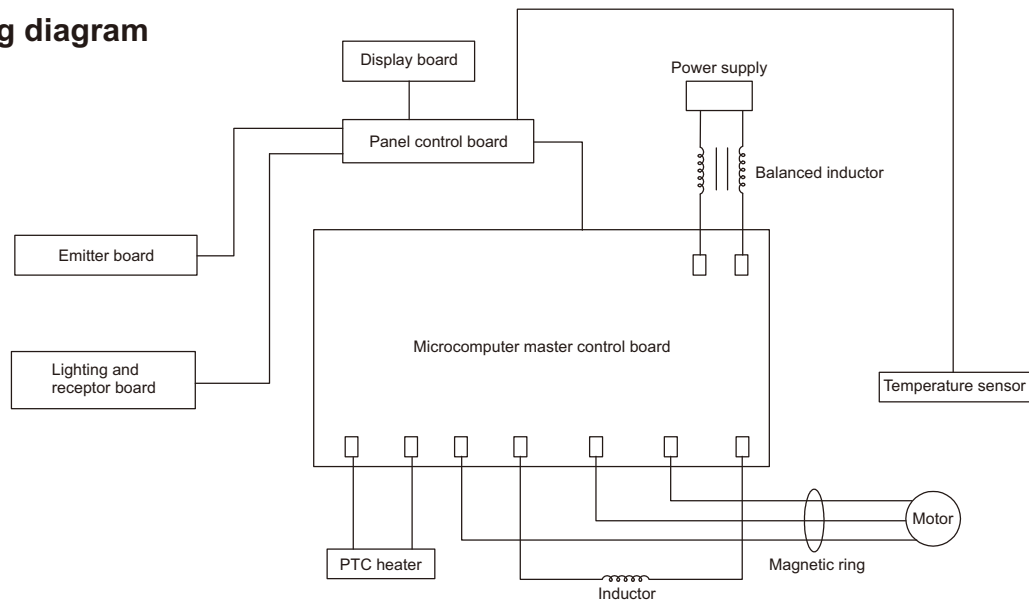


Install the main dryer unit on a flat and vertical wall strong enough to support it securely.
 Otherwise, the main dryer unit may fall and result in injury or damage.

REQUESTS

Use water-resistant material for nearby walls and floor as small water drops may spread about if a user moves hands violently when drying hands.

Electrical wiring diagram

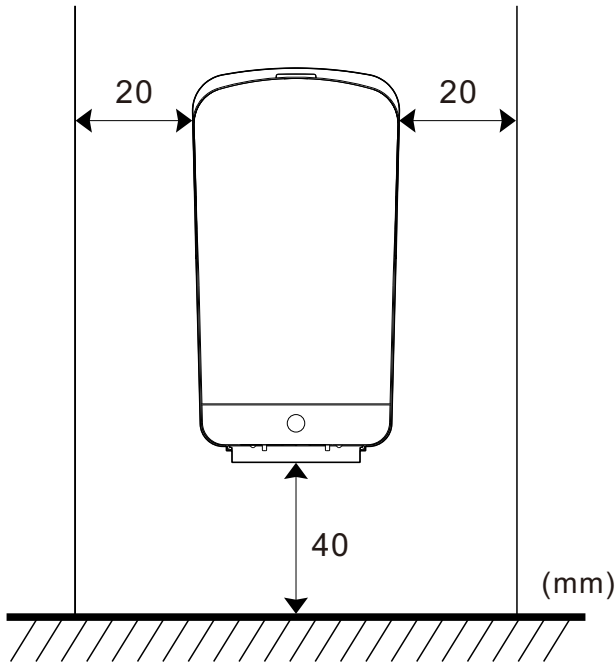


Check the malfunction ○ light ● go out ☆ blinking

Fault LED	Check items	Causes and treatment
●	Power / abnormal voltage	Check the power connection and confirm the voltage normal.
○		
☆	Tamper-proof timer	Sensor fault, continuous operation, check whether or not the sensor is blocked.

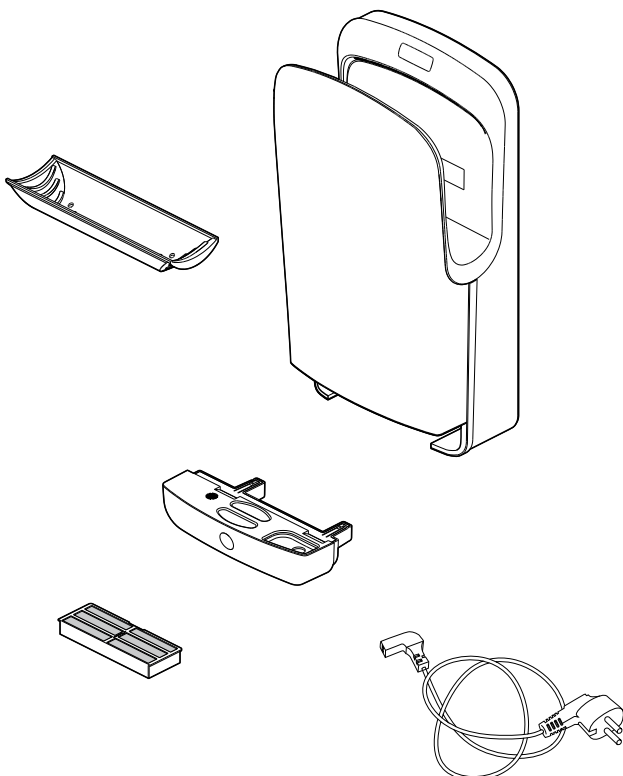
Installation procedures:

Space requirement

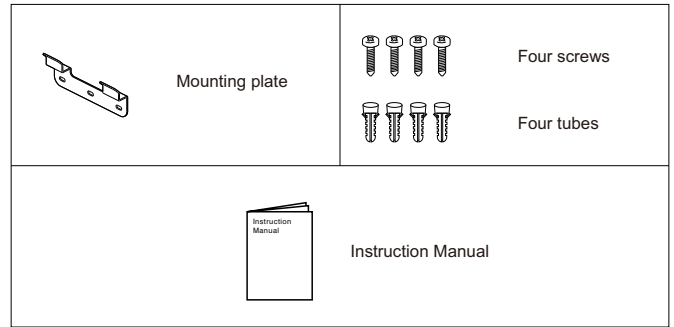


Leave enough space around the product to allow for use.
Use screws with drawing strength of 1000N or more.

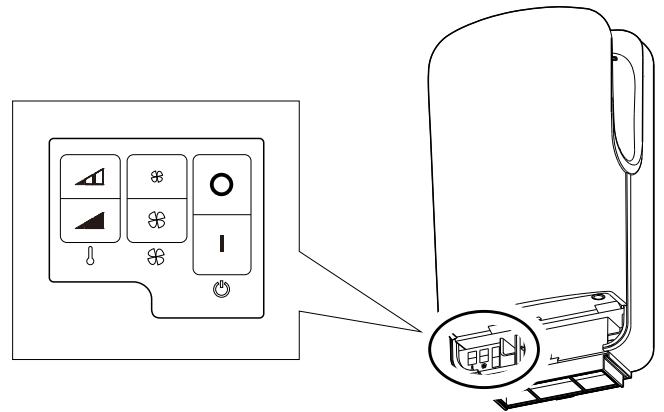
Check parts



Included parts



Power Switch



Power supply

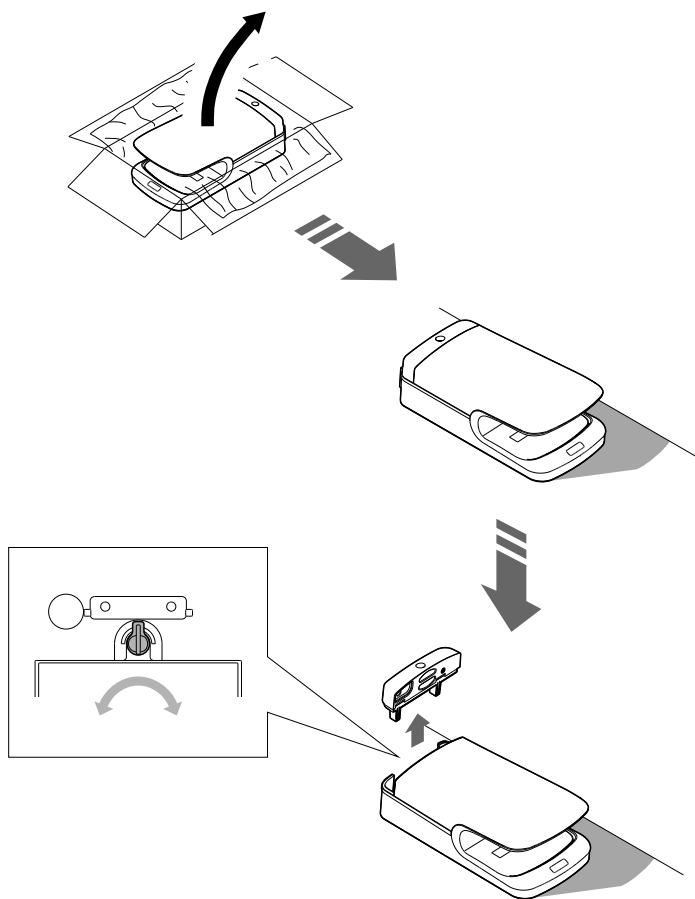
Install a single Earth leakage circuit breaker with a sufficient current rating and rating and apply the specified power.

Earth leakage circuit breaker	Rated 10 A or more
Power supply	AC220~240V

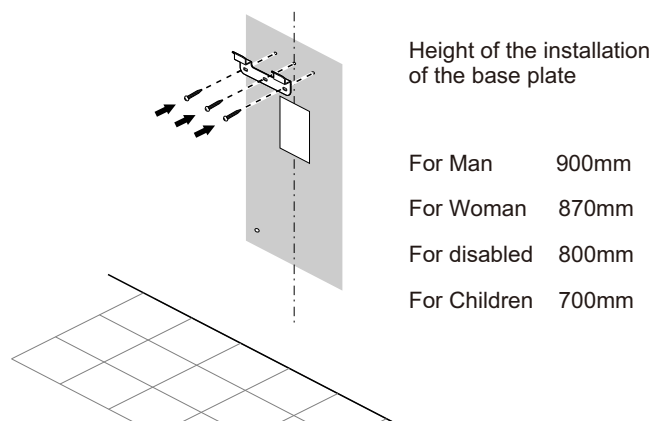
To Installaton Contractors

After verifying the trial operation, give the customer the Instruction Manual and Cleaning Instruction Sheet and explain how to use the product.

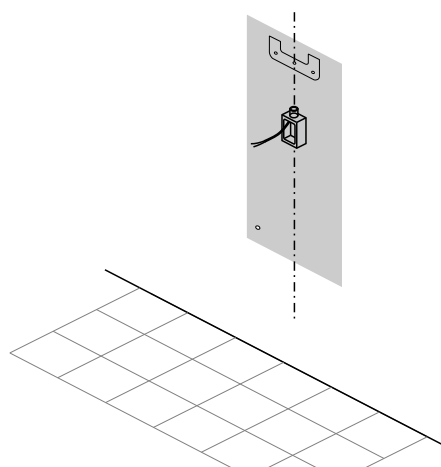
1 Unpack the product



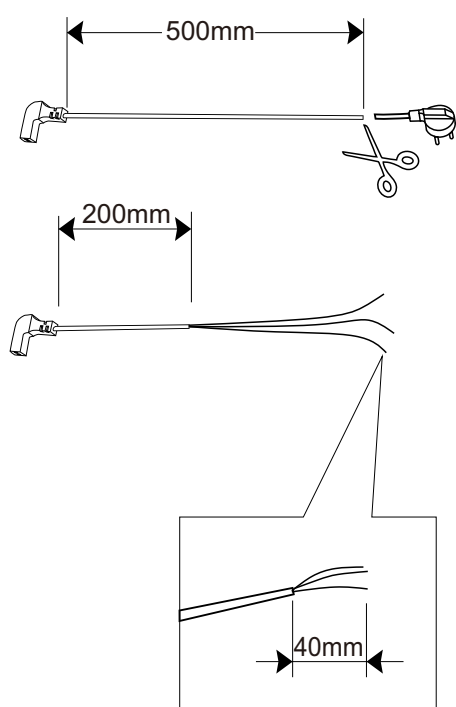
2 The installation of the base plate



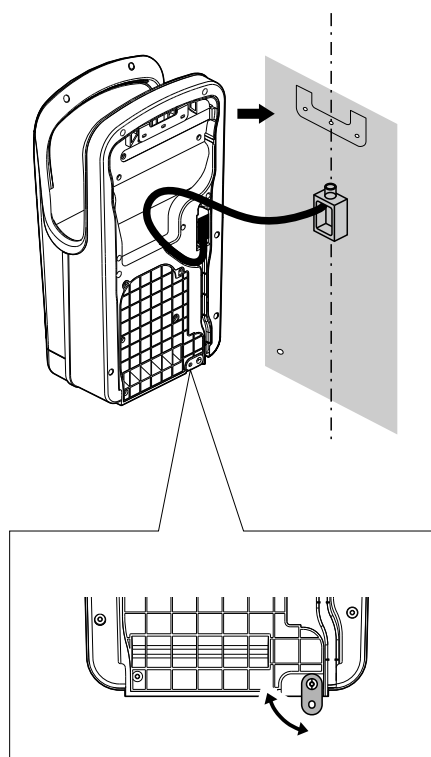
3 The location of power line.



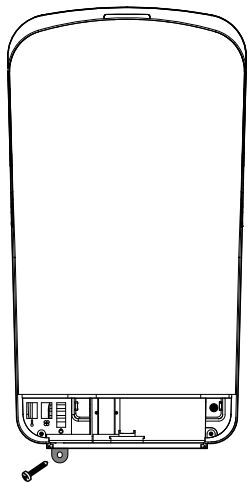
4 The length of the power line



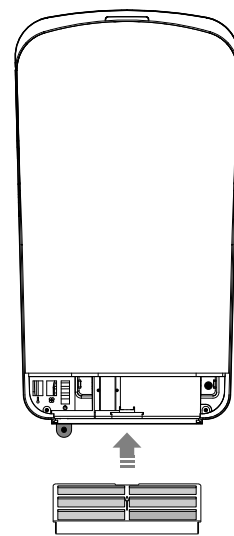
5 Install the machine



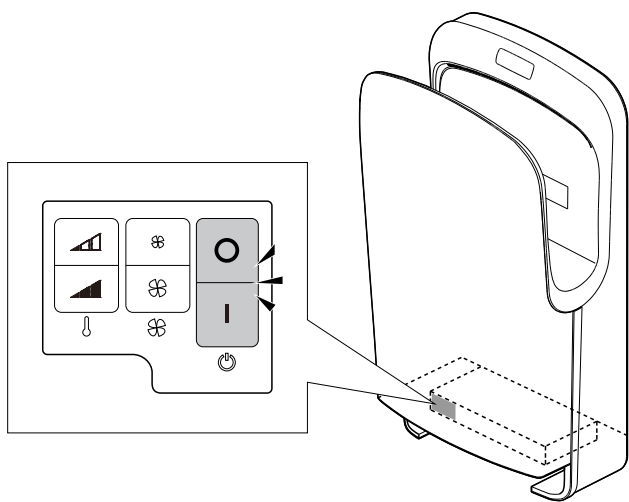
6 Installation of Anti-theft screw



7 Install filter screen



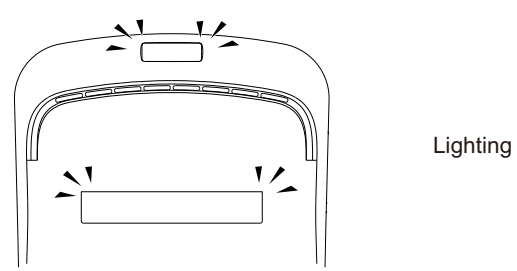
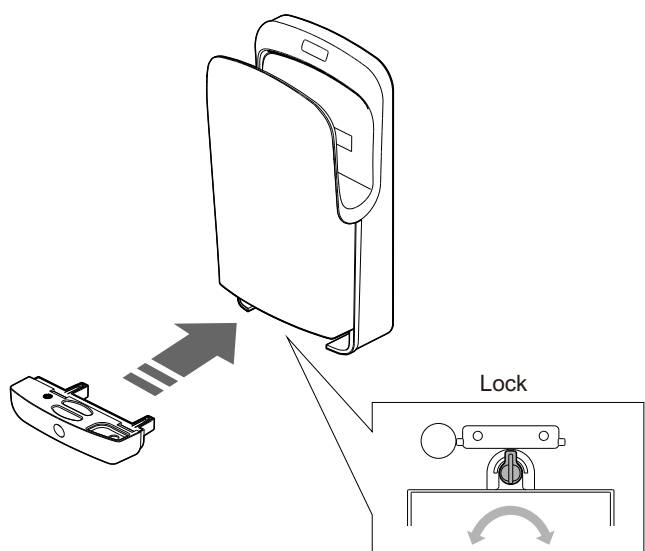
8 Confirm the switch position



9 Test operation

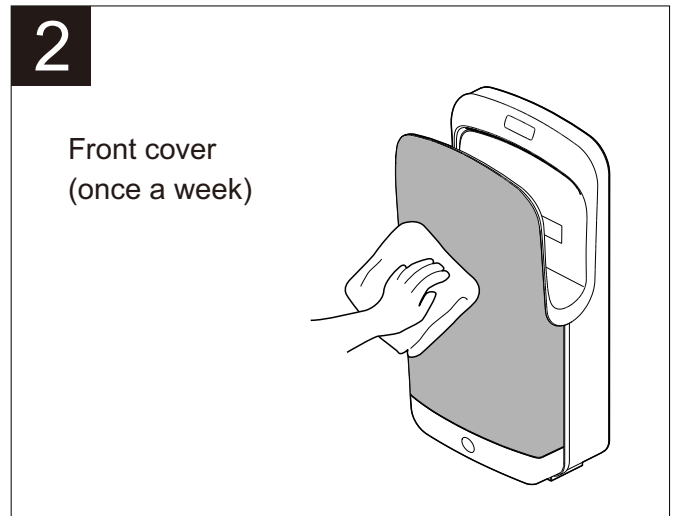
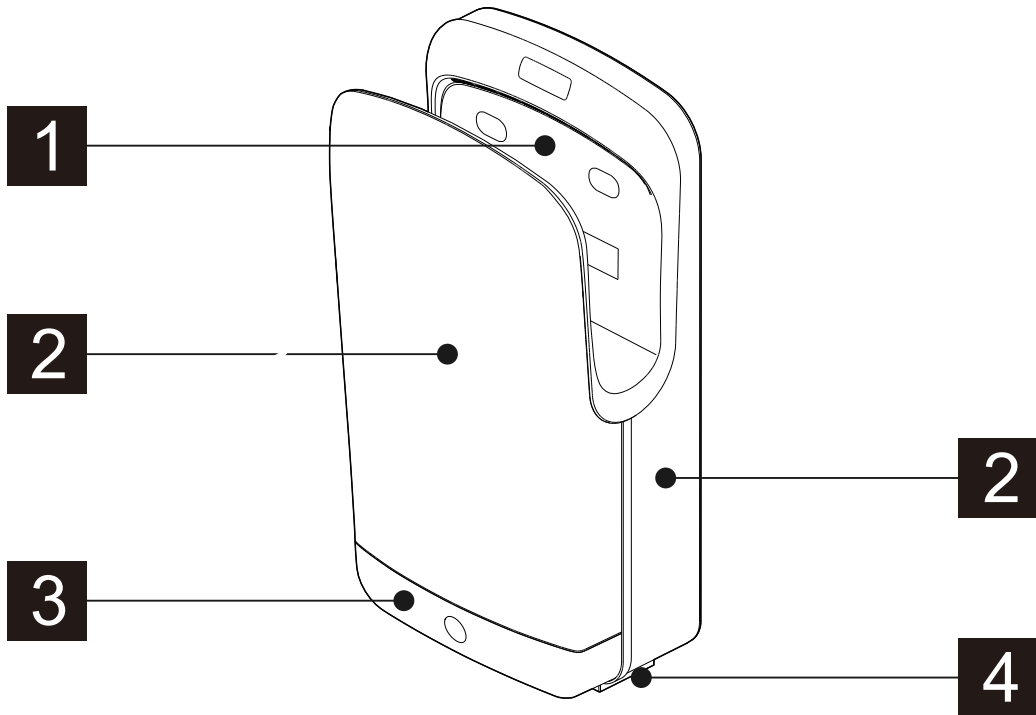


10 Installation drain tank



Maintenance

Clean the product regularly to make sure it is functioning properly.
Use a damp soft cloth to wipe.

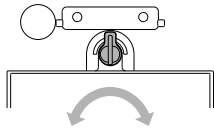
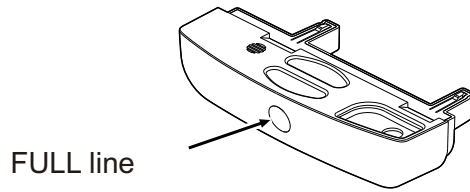


Warning	
	<p>Do not squirt water on the main dryer unit when cleaning it. Doing so could result in electrical shock or other product problems.</p> <p>Do not install the water tray with cleaning agent residue into the product. Doing so could cause product problems.</p> <p>Do not use acid or alkali chemicals designed for cleaning toilets. Do not use benzene, thinners or cleansers. Do not use nylon sponges or dry cloth.</p>
	<p>Before cleaning, turn off the power switch.</p> <p>Failure to do so could result in sudden activation of the product.</p>

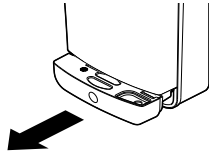
3

Drain tank

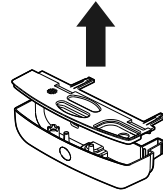
(When the water is full, clean it in time)



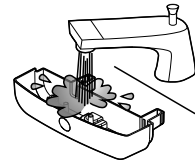
(1)



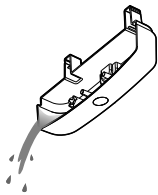
(2)



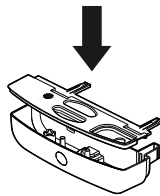
(3)



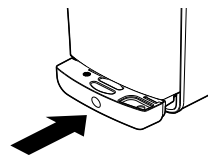
(4)



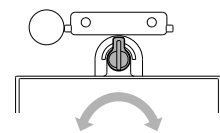
(5)



(6)



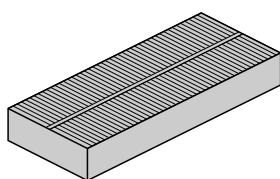
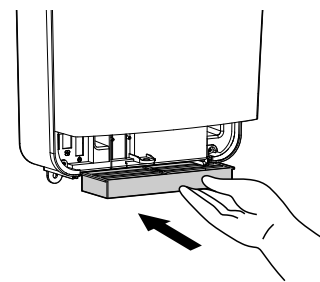
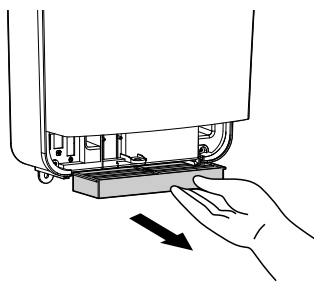
(7)



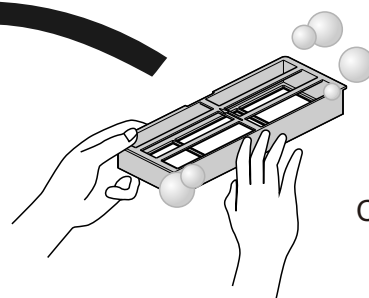
(8)

4

HEPA Filter (Once every 100 days to 150 days)



Take out the HEPA filter and replace it





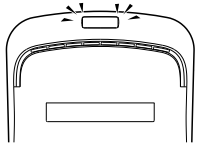


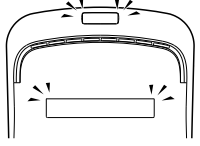


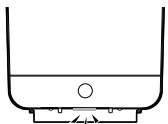


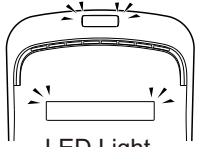


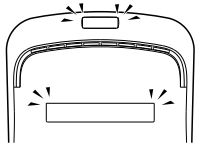
Troubleshooting

Please read these sections for troubleshooting before requesting repair services.

	Trouble	solutions
	Indicator status	
No dry air blow when hands put in.	No light	Power Switch might be set to OFF →If so, set Power Switch to ON. ▶ See page 3
		Has the circuit breaker been tripped? →If is OFF, Please reset it.
	Lights on	Due to the location of Sensors, detection of hands is difficult in some areas, including between Sensors and near the corners →Align fingers and put both hands fully into drying compartment . If air blows,the dryer is working properly.
	Light was flashing ▶ See below	Has Filter accumulated dust or debris? →Clean Filter if these is an accumulation of dust or debris. ▶ See page 2
		Is the ambient temperature within opetating temperature limits? →Set the temperature within -10 to 40 °C。
	Light was flashing ▶ See below	Has something been placed inside the unit that could be blocking a sensor? →If there is something in the unit, remove it.
Is the sensor dirty? →If the sensor is not clean, wipe it with a soft damp cloth. If the problem persists after the sensor is cleaned, the sensor is malfunctioning.		
Dryer not stopped when hands removed	Stopping 1-2 seconds after removing hands is normal.	
	Is the sensor dirty? →If the sensor is not clean, wipe it with a soft damp cloth. ▶ See page 2	
Warm air is not blown (only for units with a heater)	Heater Power Switch might be set to OFF. →If so, set Heater Power Switch to ON. ▶ See page 3	
	Is the ambient temperature low? →The air might feel colder when the temperature is low.	
Warm air is blown	(Only for the unit with aheater)Heater Power Switch might be set to ON. →If so, set Heater Power switch to OFF ▶ See page 3	
	Has Filter accumulated dust or debris? →Clean Filter if dust or debris has accumulated. ▶ See page 10	
	Is the ambient temperaure high? →The air might feel warmer when the temperature is high.	
	Is the dryer active for along time? →The air might become wamer if hand dryer is active for a long time due to heat from the fan motor.	
The air volume is weak	Has Filter accumulated dust or debris? →Clean filter if it has accumulated dust or debris. ▶ See page 10	
	Is the Fan Strength Switch set to Low? →Set the Fan Strength to High. ▶ See page 3	

If the problem still prosists after preforming suggested actions, turn off the power switch and set the breaker to Off. Please contact the supplier.

Indicators

		Status indicator lights	Meaning or the indicators	Operation the product/ Corrective actions
Normal state	Standby	<p>Always ON</p> <p>ON </p> <p>OFF </p> <p>Indicator light</p> 	Power is being supplied (Standby)	An indicator is lit dimly all the time.
	The dryer is activated	<p>Always On</p> <p>ON </p> <p>OFF </p>  <p>LED Light</p>	Power is being supplied (While the dryer is activated)	An indicator is lit brighter than standby.
	Power ON	<p>Always ON</p> <p>ON </p> <p>OFF </p> 	Water tray is full	Discard water from the water tray.
Abnormal state	Flashing	<p>Light was flashing</p> <p>ON </p> <p>OFF </p>  <p>LED Light</p>	Light was flashing	The machine has been working on 30s, machine Think it's a prank. Machine stopwork. Please clear the barrier.
	Flashing	<p>Light was flashing</p> <p>ON </p> <p>OFF </p>  <p>LED Light</p>	The sensor feels abnormal	<p>Unable to work</p> <p>Make sure that sensors are clean. If they are not clean, wipe them with a soft damp cloth</p> <p>If the indicator does not turn off, consult with the installation contractor.</p>

Specifications

For brushless motor DC

Item		Description	
Model name		High-Speed Hand Dryer	
Model number			
Power Rating		AC220V~240V 50Hz~60Hz	
Power supply specifications		Directly connect to power supply	
Power consumption	High speed	Heater on	1600W
		Heater off	700W
	Low speed	Heater on	1200W
		Heater off	500W
	Standby power consumption		Approximately 2.3W or lower
DC Motor		DC/brushless motor	
Heater		PTC	
Safety device		Temperature sensor • current fuse • temperature fuse	
Dimensions(mm)		Width 300mm, depth 165mm, height 535mm	
Weight		10 Kg	
Drain tank capacity		Approximately 1200mL	
Available set temperature range		Between - 10~40°C *Set a temperature that prevents condensation	

For brush motor AC

Item		Description	
Model name		High-Speed Hand Dryer	
Model number			
Power Rating		AC220V~240V 50Hz~60Hz	
Power supply specifications		Directly connect to power supply	
Power consumption	High speed	Heater on	2000W
		Heater off	1300W
	Low speed	Heater on	1500W
		Heater off	1100W
	Standby power consumption		Approximately 2.3W or lower
DC Motor		AC/brush motor	
Heater		PTC	
Safety device		Temperature sensor • current fuse • temperature fuse	
Dimensions(mm)		Width 300mm, depth 165mm, height 535mm	
Weight		9 Kg	
Drain tank capacity		Approximately 1200mL	
Available set temperature range		Between - 10~40°C * Set a temperature that prevents condensation	