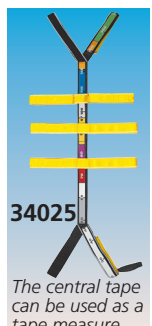
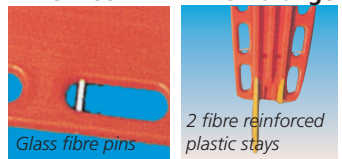
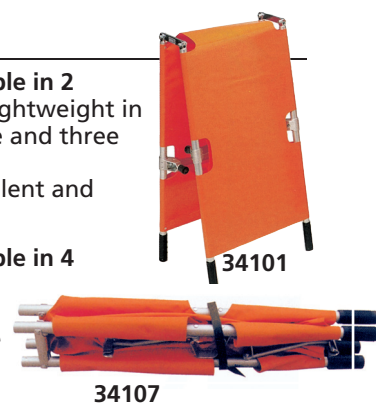


GIMA STRETCHERS AND SPINAL BOARDS



- 34101 GIMA STRETCHER 2 - foldable in 2**
 Emergency stretcher is sturdy, but lightweight in construction, with aluminium frame and three solid iron cross-bars for heavy use. Reinforced nylon canvas, fluid repellent and non-tear.
- 34107 GIMA STRETCHER 4 - foldable in 4**
 Made of strong alloy and water-tight material. Light weight, easy to carry, foldable in 4. Length foldable in 2 parts, width foldable in 2 parts.
- 34105 STACKABLE STRETCHER**
 Used in small rooms where it is necessary to store a large number of stretchers. PVC does not absorb blood or body fluids. Strong lightweight aluminium construction with vinyl coated polyester
- 34076 BLUE STRETCHER - foldable in 2**
 Light-weight, small sized, easy to carry. High-strength aluminium poles and vinyl coated waterproof nylon canvas.
- 34077 WHEEL STRETCHER - foldable in 2**
 Wheels, outriggers and adjustable backrest. High strength aluminium poles and vinyl coated, waterproof nylon canvas. Light weight, small sized, easy to carry.
- 34083 SPINAL BOARD**
 X-ray translucent, washable, buoyant and impervious to all fluids. Made in linear high density polyethylene with plastic pins. Compatible with all head-immobilization devices and strapping system. CT and MRI transparent. Colour orange.
- 34022 B-BAK PIN SPINAL BOARD - yellow**
 PE spinal board with Pin with robust and light structure to ensure high resistance. The 14 handles and their shape offer an easy grip, the low thickness make the application easier. Equipped with 8 plastic pins to allow easy fixing of belts with snap hook.
- 34097 SPINAL BOARD WITH SAFETY GLASS FIBRE PINS - orange**
 Strong and lightweight high density PE spinal board, with two fibre reinforced plastic stays. Provided with glass fibre pins for better fixation of immobilisation belts. Excellent in water rescues. X-ray translucent, except 2 plastic stays.
- 34023 BABY GO PEDIATRIC SPINAL BOARD**
 Baby go is a professional board, designed for children, which maintains the spine in neutral position with the ideal alignment for air flow. Board has four different profiles which guarantee the correct position of the child according to his body size.
- 34024 PEDIATRIC HEAD IMMOBILIZER**
 Ensure optimal immobilization of the head of children perfectly fitting their pronounced occipital prominence.
- 34025 PEDIATRIC SPIDER STRAP SYSTEM**
 The central tape can be used as a tape measure



TECHNICAL SPECIFICATIONS	34101 GIMA 2	34107 GIMA 4	34105 STACKABLE	34076 BLUE	34077 WHEEL	34083 SPINAL	34022 SPINAL WITH PINS	34097 SPINAL WITH PINS	34023 PAED SPINAL
Open size cm:	203x50x14	221x53x16	188x48x18	188x45x7	188x53x21	184x44.5x6.5	184x40.5x4.5	183x46x5	119.5x32x4.5
Folded size cm:	96x50x17	104x19x12	-	94x48x10	92x53x12	-	-	-	-
Weight:	6 kg	5 kg	6 kg	4 kg	8 kg	7.6 kg	6 kg	7 kg	2.2 kg
Load:	120 kg	150 kg	170 kg	150 kg	150 kg	150 kg	180 kg	200 kg	30 kg