



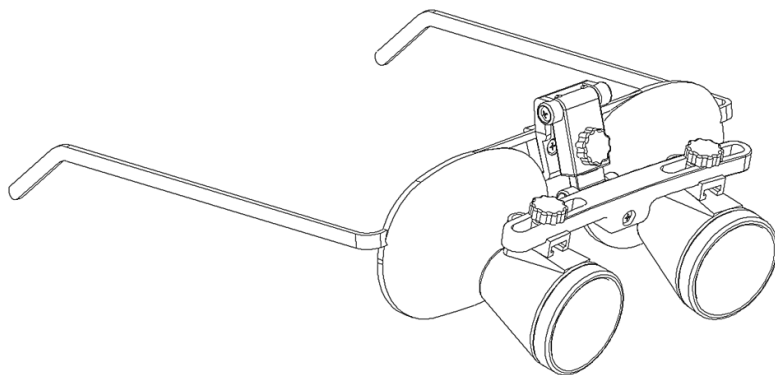
GIMA

PROFESSIONAL MEDICAL PRODUCTS

Gima S.p.A.
Via Marconi, 1 - 20060 Gessate (MI) Italy
gima@gimaitaly.com - export@gimaitaly.com
www.gimaitaly.com

OCCHIALI INGRANDENTI BINOCULAR LOUPES LOUPES BINOCULAIRES LUPAS BINOCULARES

Manuale d'uso - User manual
Manuel de l'utilisateur - Guía de Uso



ATTENZIONE: Gli operatori devono leggere e capire completamente questo manuale prima di utilizzare il prodotto.
ATTENTION: The operators must carefully read and completely understand the present manual before using the product.
AVIS: Les opérateurs doivent lire et bien comprendre ce manuel avant d'utiliser le produit.
ATENCIÓN: Los operadores tienen que leer y entender completamente este manual antes de utilizar el producto.

REF 30892 - 30894 - 30897 - 30898
30910 - 30911 - 30914 - 30915

 Gima S.p.A.
Via Marconi, 1
20060 Gessate (MI) Italy
Made in China



**PRODUCT CARE**

- Do not expose your product to liquid or moisture or to humidity.
- Do not touch the surface of lens with hand or hard objects.
- Never clean the surface of lens with any hard and dirty materials.
- Do not look into the sun or into a powerful light source with this loupe.

Purpose and features of the product**Purpose**

SL series Binocular Loupes is designed for all possible medical needs. They are widely accepted by Stomatology, ENT, Gynecology, Cardiology, Brain surgery and Plastic surgery etc..

Features

- Multi-coated, high grade glass lenses produce crisp, clear images.
- The Loupes which employ eyepiece of very large view field diameter. The depth of focus is deep and object can be seen stereoscopically with actual distance feeling.
- The angle of the loupes can be adjusted between 0°~40 ° with ease and fatigue is minimized even after prolonged use.
- 6mm up and down displacement. Pupil distance can be adjusted individually which could be suited for all kind of faces.
- Adapts to any Head band and Headlight of Zumax
- Smart design, convenient for mobile diagnosis.

Operating Instruction

First step, please fasten the strap to the frame of glasses.

Put on the loupe and check that the pupil distance is symmetrically set.

Now look at a well it three-dimensional object. Adjust one eyepiece after the other until you see a round image with no shadows and a focused object in each. Then screw in both set screws.

The position of the optics is adjusted over a wide range by means of the hinge mount. The ease of movement of the hinges can be adjusted by means of the hinge screws.

Maintenance of product**Maintenance of lens**

- The instrument not in use should be covered and put into the packing box.
- Do not disassemble the optical lens by unskilled or unqualified technicians.

Cleaning

- The outer surface of the instrument may be cleaned with wet cloth, the remaining stains can be cleaned off with the mixture of 50% alcohol and 50% distilled water. Do not wipe with any corrosive detergent lest that the surface should be damaged.
- Cleaning the lenses: Mirror-cleaning paper or a drop of liquid solvent (50% alcohol and 50% aether) may be used to clean the lens, blow it carefully. If there is dust stained on the lens, blow them with a blowball or brush them with a dust pen.



Caution: Be careful to prevent the solvent into the instrument

Specifications

Magnification	Working distance (mm)	Field of view dia. (mm)
2.5x	340/420	80/90
3.5x	340/420	55/60

Environment requirements

Operation	Environment Temperature	+10°C – +40°C
	Relative humidity	30% – 75%
	Atmospheric pressure	700 hPa – 1060 hPa

Shipping Common conveyance

Storage	Environment Temperature	+10°C – +40°C
	Relative humidity	30% – 75%
	Atmospheric pressure	700 hPa – 1060 hPa

GIMA WARRANTY CONDITIONS

Congratulations for purchasing a GIMA product. This product meets high qualitative standards both as regards the material and the production.

The warranty is valid for 12 months from the date of supply of GIMA.

During the period of validity of the warranty, GIMA will repair and/or replace free of charge all the defected parts due to production reasons.

Labor costs and personnel traveling expenses and packaging not included.

All components subject to wear are not included in the warranty.

The repair or replacement performed during the warranty period shall not extend the warranty. The warranty is void in the following cases: repairs performed by unauthorized personnel or with non-original spare parts, defects caused by negligence or incorrect use. GIMA cannot be held responsible for malfunctioning on electronic devices or software due to outside agents such as: voltage changes, electro-magnetic fields, radio interferences, etc. The warranty is void if the above regulations are not observed and if the serial code (if available) has been removed, cancelled or changed.

The defected products must be returned only to the dealer the product was purchased from. Products sent to GIMA will be rejected.

To ensure precise measurement reading, re-calibration of the device is recommended after 2 years from the date of purchase. Shipping plus handling cost and recalibration service fee shall be charged accordingly.