



**Soundproof booth**  
**user manual and installation**  
**PRO28 F - PRO28 F *slim***



Soundproofing booth for audiometry  
Model **PRO 28 F - PRO 28 F slim**

Complies with 93/42/CEE-2007/47/CE Directive  
As Class I Medical Device

S.N. #P.....#

## Description

Lightweight and portable solution ready to use within minutes thanks to simple installation with only 12 screws. Made with new washable interior fabric 3D textured, and new materials that increase the power of sound insulation to 35 dB. The ideal booth for basic audiometric test in ambulatories, clinics, hospitals, audiological and industrial environments. Equipped with reversible door with magnetic closure, universal connection panel, external table as support for instruments, lighting. Optional: internal folding table, interlocked wheels , window on door.

## PRO 28 slim

PRO 28 slim is featured with a shorter side (74 cm against 97) and equipped as standard with pivoting wheels with brake to allow the passage through standard doors and smaller environments.

## ISO 8253-1 "audiometric test methods"

Theoretical study on the allowable background noise from outside the soundproof booth series PRO 28 F.

Values from 125 to 5000 Hz with headphones over standard headsets

Hz	dB lineare
125	49.7
250	44.6
500	50.6
1000	59.2
2000	64
3150	71.7

Values from 125 to 5000 Hz with headphones over standard headsets and Amplivox Audiocups or headphones ensuring a reduction at 500 Hz equal to or greater than 23 dB

Hz	dB lineare
125	55.7
250	52.6
500	67.6
1000	74.2
2000	77
3150	84.7

### NOTE:

These data have been completed using the tables of noise reduction (Dp) of the cabin PRO 28 tested at the center studies and research C.S.I. of which we show an excerpt of the test report.

The complete file of the study on allowable the background noise is filed at PUMA s.r.l. offices.

## Use and contraindications

- The soundproofing booth can be used only for audiometric or similar tests and not for other medical purposes with any parts applied to the patient (such as electrodes) where it is necessary to have different specifications.
- The booth must be always used in the presence of operation personnel.
- The operator who performs the test must always be in visual contact with the patient inside the booth.
- It is forbidden smoking or using naked flames inside the booth.
- The installation of the booth in unsuitable rooms or where there are flammable materials automatically disclaims any liabilities on the part of the manufacturer.

PUMA srl disclaims any liability for the misuse, improper assembly performed by external personnel, unsuitable location or improper use of the booth.

Any improper use of the cabin and the tampering of internal parts not specified in this manual will void the warranty and liability of the manufacturer.

## Equipment connection panels

The new connection panels allow:

- Direct contact between inside and outside booth equipments without further interruption or jack connection.
- The immediate replacement of equipment with different connections.
- The possibility to pass also with several cables.

## Assembly



1) Remove the seal acting on the two Allen screws with the provided wrench. The same operation must also be performed within the booth



2) Run the cables of the devices which are necessary such as headphones or anything else through the center hole.



3) Once introduced them let them fall and close again by positioning the seal (external and internal) previously removed and tighten the Allen screws with the provided wrench.



4) Connect the designated equipment.

## Connection cables for universal connection panels (optional)



Tripolar connection jack cables fully insulated allowing an immediate connection with the main audiometric instruments between the inside and the outside of the cabin.  
To be used with the universal connection panels.



### Jack panel for instruments connection (optional)



A tripolar jack connection plate is available on request. 10 jack inputs, suitable for most of diagnostic and clinical instruments.



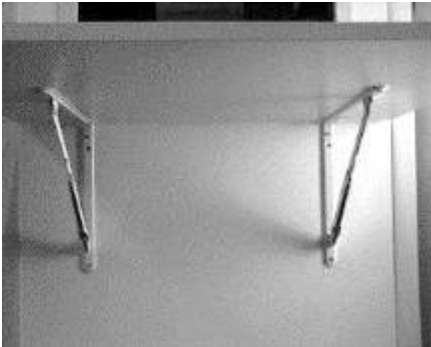
Additional double USB port to connect with other instruments or PC.



### Reclining Table

Maximum load 12 Kg

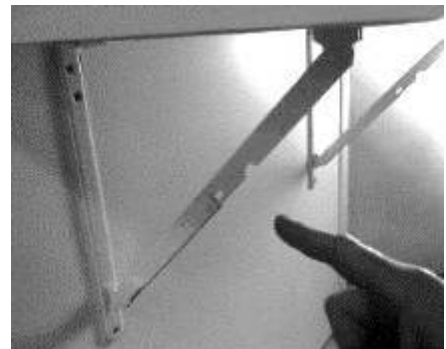
The large reclining table allows to use a barely used space both inside and outside the booth.



Supported by two folding shelves, it can be easily opened. Just lift it until extending the support mechanism to the limit stop.



Do block the safety notches in their seats by pushing the table downward. Support locks must remain upright once entered into their seats.



To close the table lift it from the open position, manually help the rails to close by following through the table downward.



**Maintenance and Cleaning**

**Routine maintenance:**

The soundproof booth does not require any specific maintenance. The possible replacement of the broken lighting device can be performed by trained personnel. (electrician).

**Medical rooms maintenance and periodical verifications:**

The maintenance of electrical systems should be committed to qualified companies which have the technical and professional requirements according to the DM 37 of 22.01.2008, art 4.

You should perform audits of the systems, in particular you should check the efficiency of the grounding system every two years by measuring its resistance value. In particular, with reference to what is stated by the IEC 64-710, the medical room systems should be regularly checked by a trained technician. For this reason you should perform the following checks:

- measurement of insulation resistance according to IEC 64-8/6, at intervals not exceeding two years
- potential equalization at intervals not exceeding three years
- measurement of the resistance of the supplementary equipotential connection at intervals not exceeding three years
- the operation of safety power equipments according to the manufacturer's instructions and in any case at intervals not exceeding one year
- the efficiency of the grounding system at intervals not exceeding two years
- the efficiency of the electrical operation of residual current devices at intervals not exceeding one year

The tests and their results should be recorded in a signed and stamped register by the technical performer with the date of execution of the same.

.



**Cleaning:**

The outside of the booth can be cleaned as any furniture.

To clean the internal carpet and the fabric on the walls use specific products commercially available.

**Warning:**

- The user is the solely responsible for the use the of device and for any consequences deriving there from.
- Do not expose the device or its accessories to liquid or high humidity
- Do not expose the booth to extreme temperatures.
- Avoid exposure to direct sunlight or heat sources. Overheating of electrical components may cause fire or equipment damages.
- The opening or unpacking of all components or any of their accessories, regardless of the reason may cause damage not covered by warranty.
- To avoid electrical shock, do not operate on active or electrified parts. Request the assistance of qualified personnel.
- The replacement of power fuses can be performed only by trained or expert personnel.
- In case of power fuse replacement, the rated current of the device must not be greater than 6 ° gG.
- Don't block the ventilation fan when using the booth.
- To dispose used batteries and electrical and electronic components, please observe the local regulations and promote recycling where possible.
- Disposal instructions for old products: Directive on electrical and electronic equipment waste (WEEE Directive) aims to ensure that products are recycled by using best available techniques in treatment, recovery and recycling to ensure people health and an intense environmental protection. Do not dispose of such products together with your household waste. Inform yourself about the local separate collection of waste regarding electrical and electronic equipments marked by this symbol.

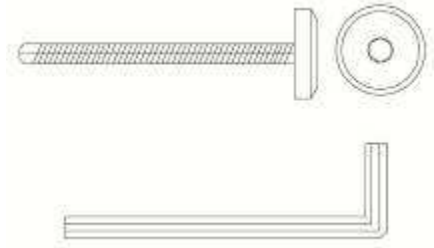


- Brought the complete product (including its cables, plugs and accessories) in the designated RAEE collection facilities or to approved landfills.

## Assembly Instructions

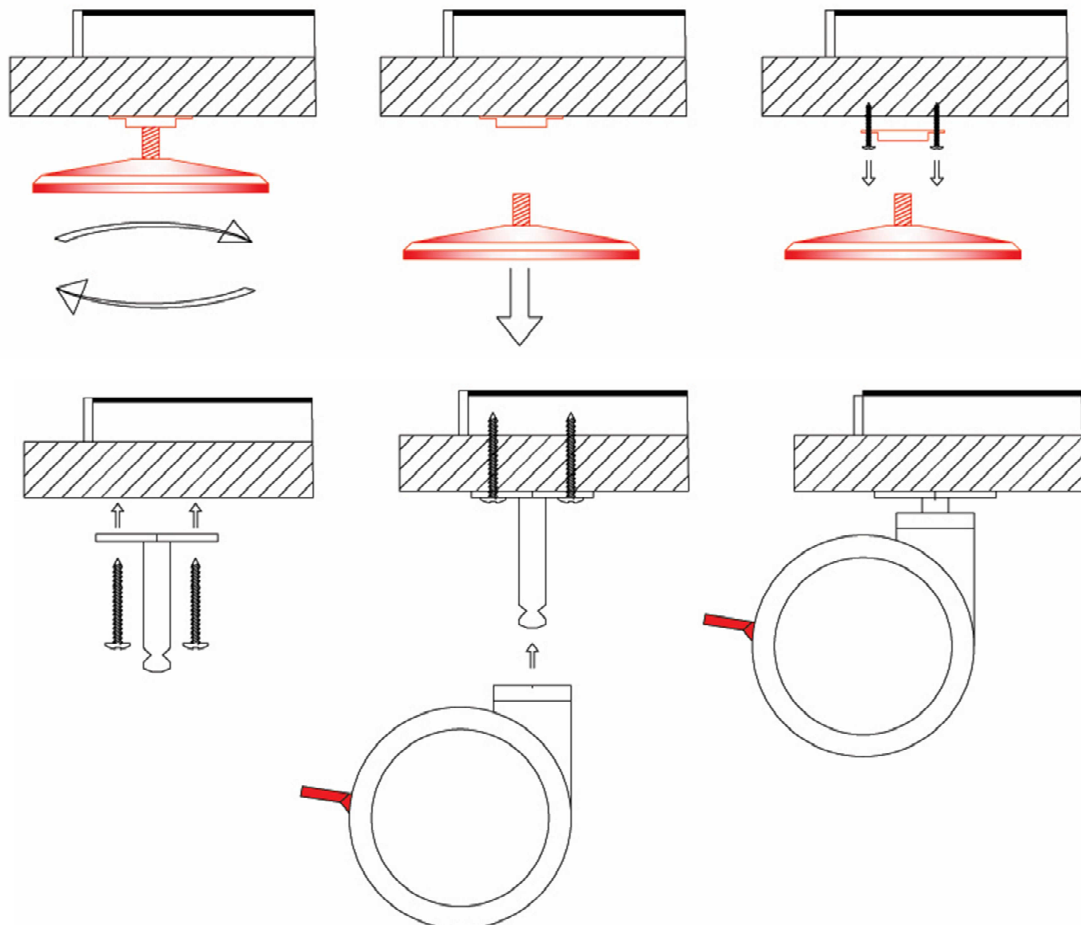
Assembly should be performed by trained personnel in furniture assembly always taking into consideration the drawings. Therefore, please read all instructions before proceeding.

Use the screws and the Allen key provided.

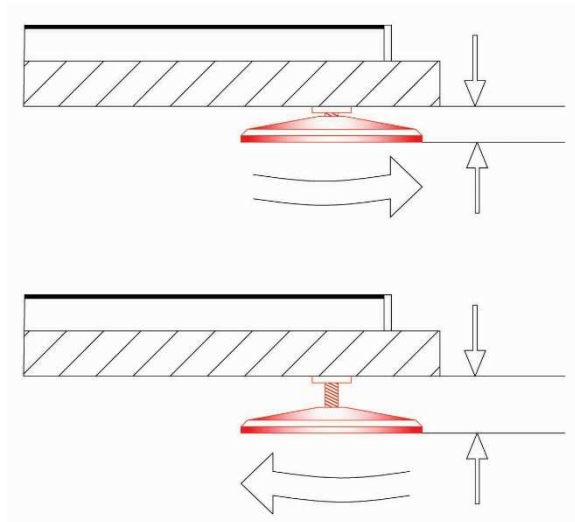
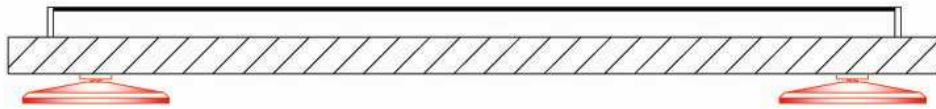


## Replacement of adjustable feet with wheels

NOTE: the soundproof booth is provided either with adjustable feet or wheels.  
It is possible to install wheels in a second time by following the below procedure.

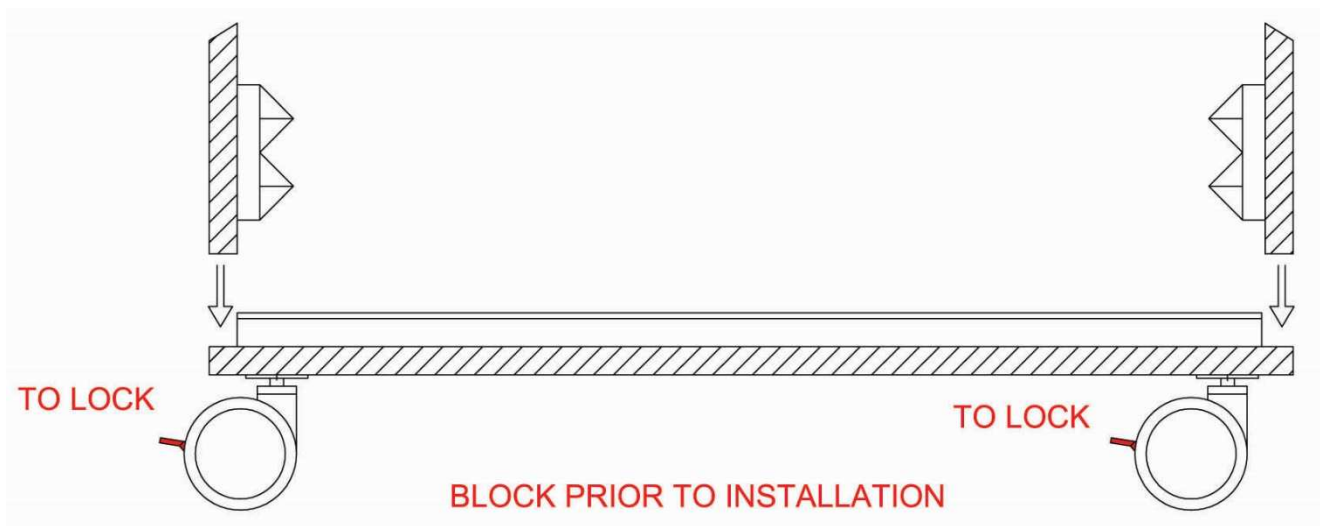
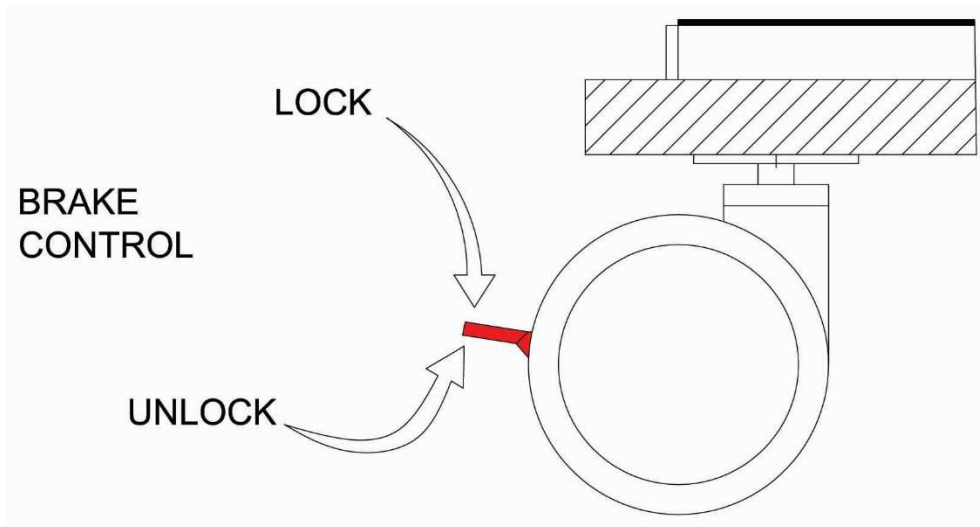


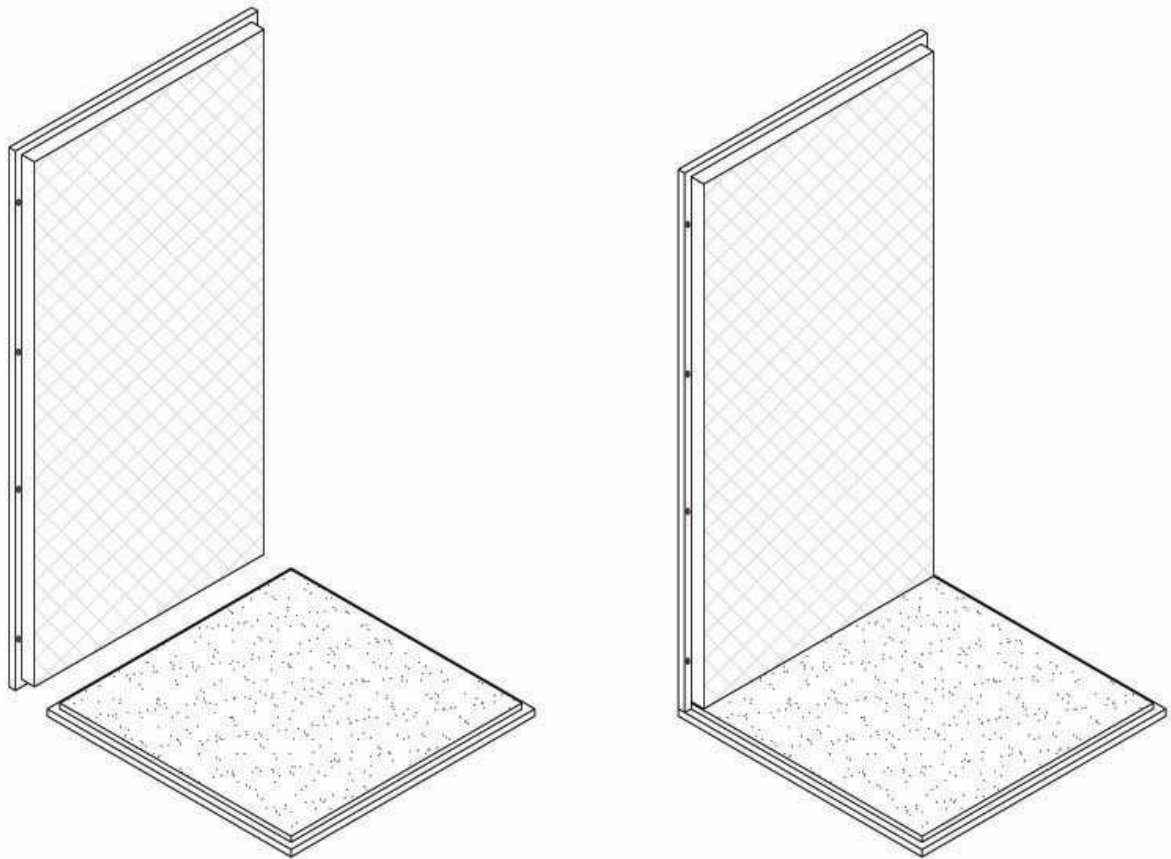
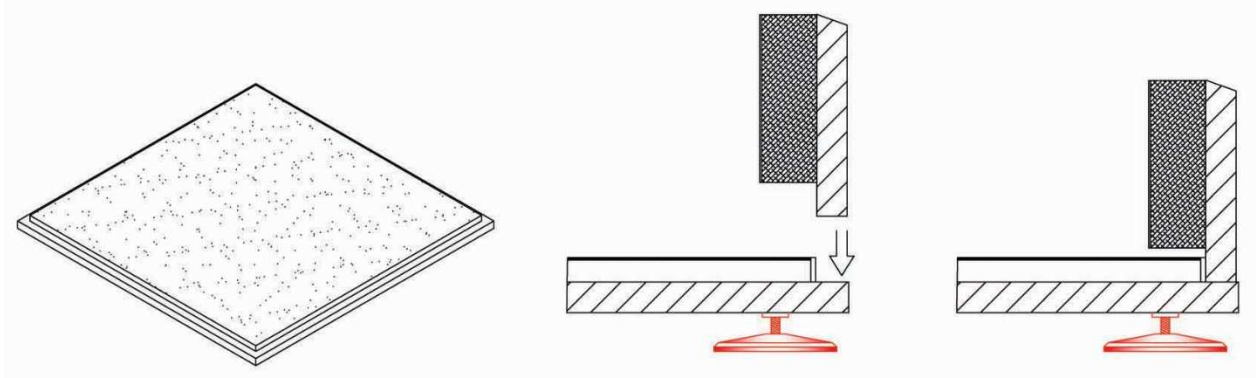
**Standard base with adjustable feet**

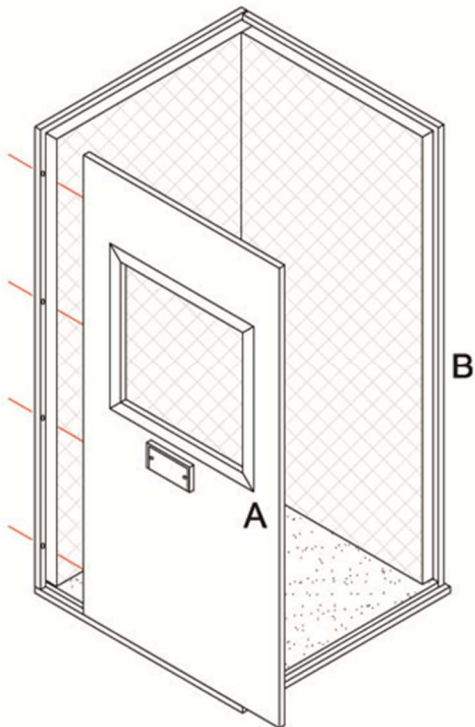
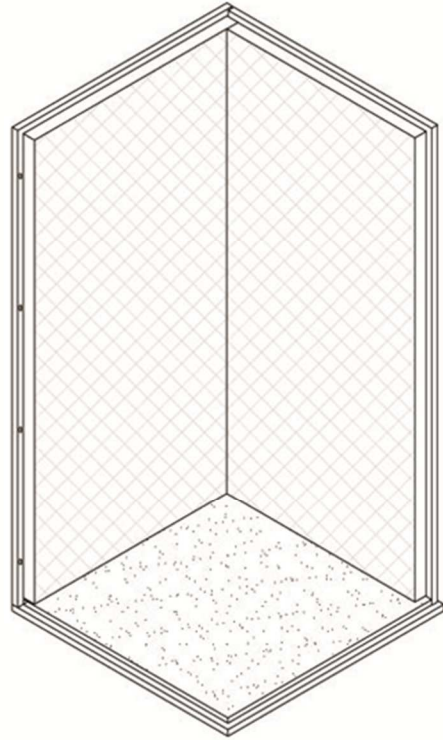
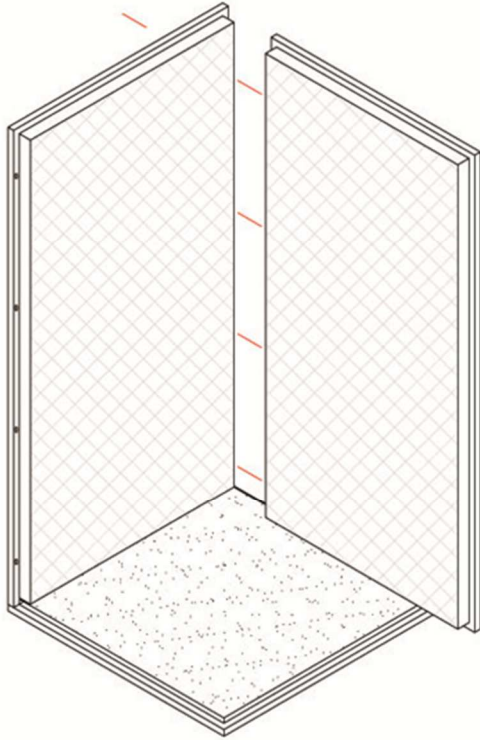


**Base with wheels for Slim version**

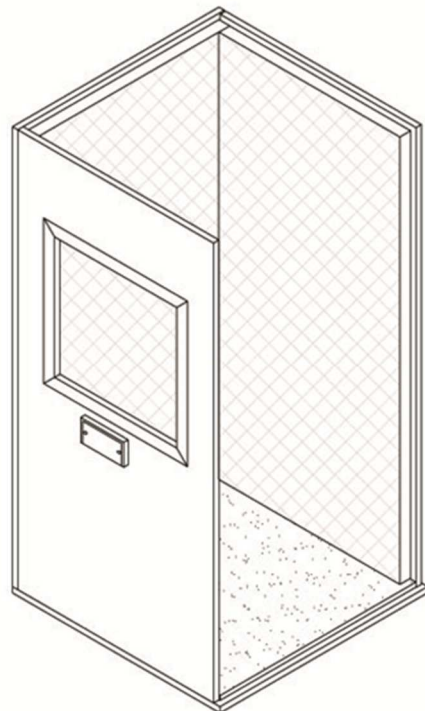
(optional for standard version)

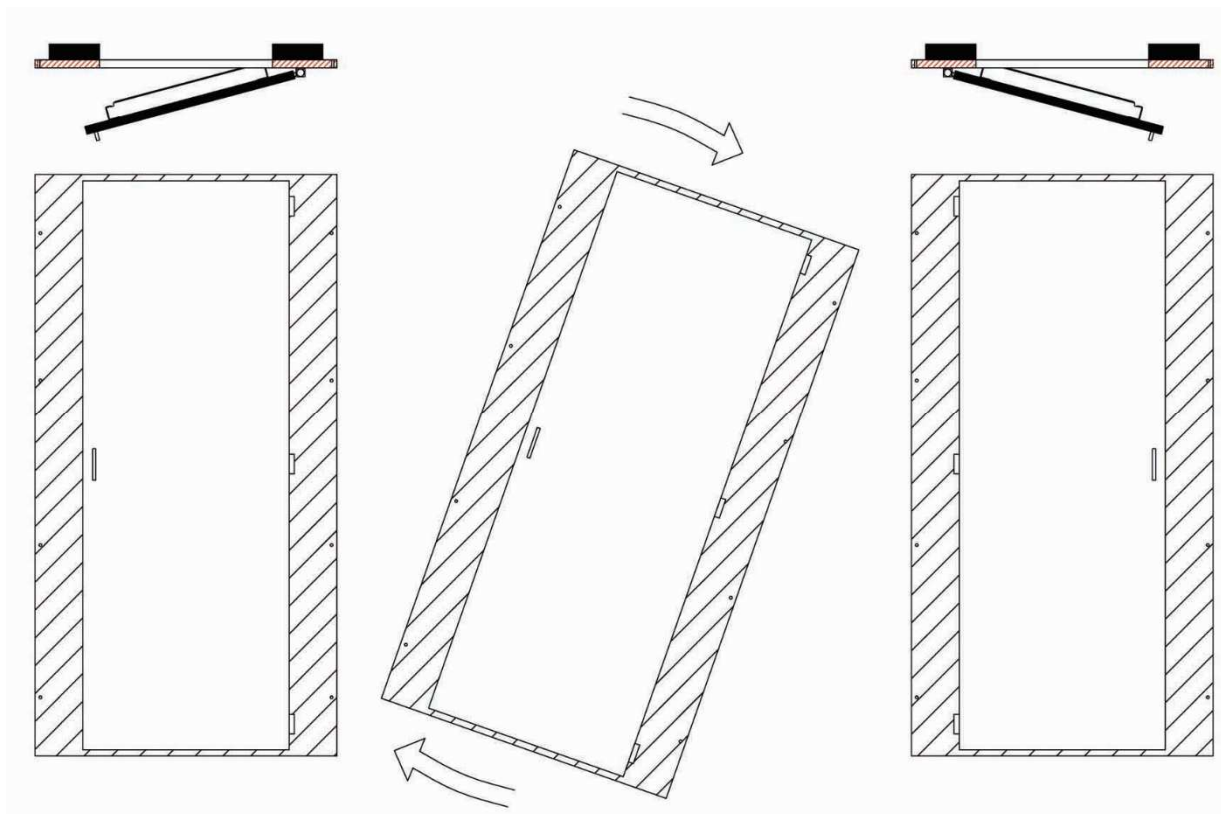
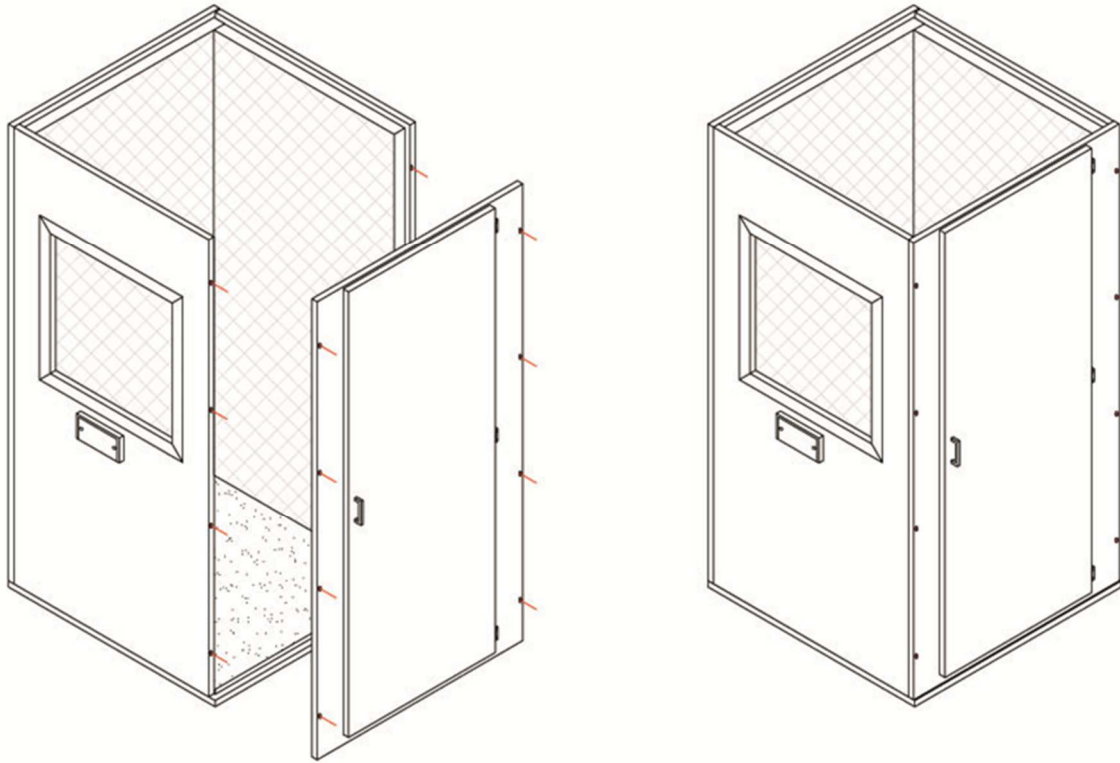


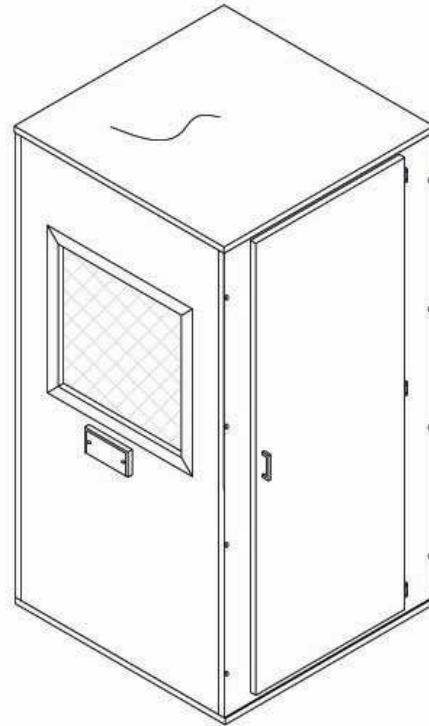
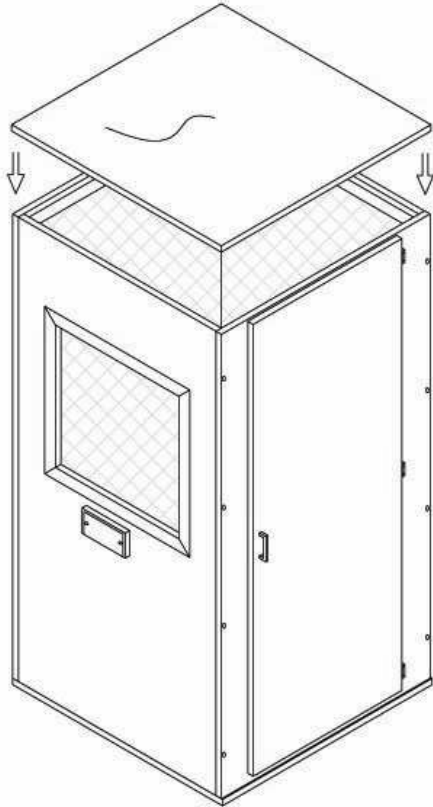




A=B





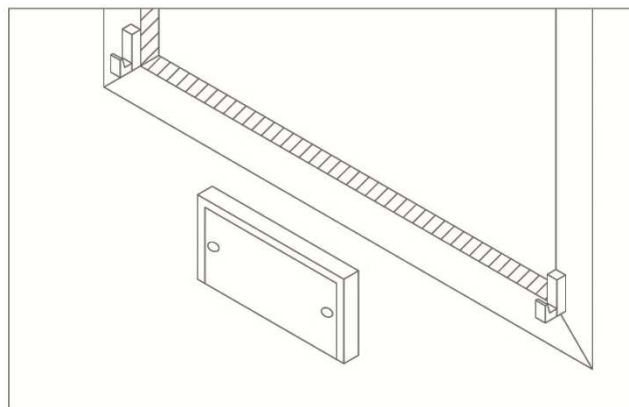
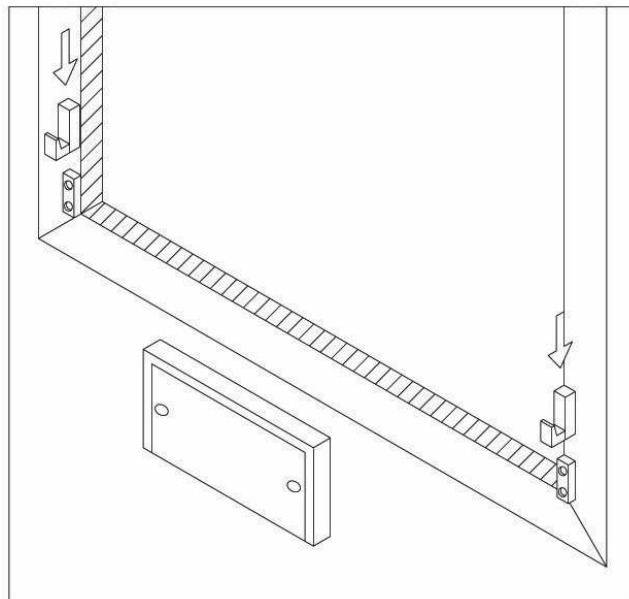
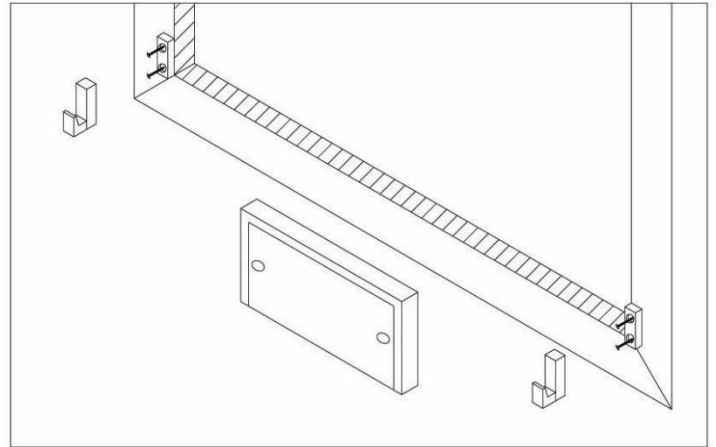
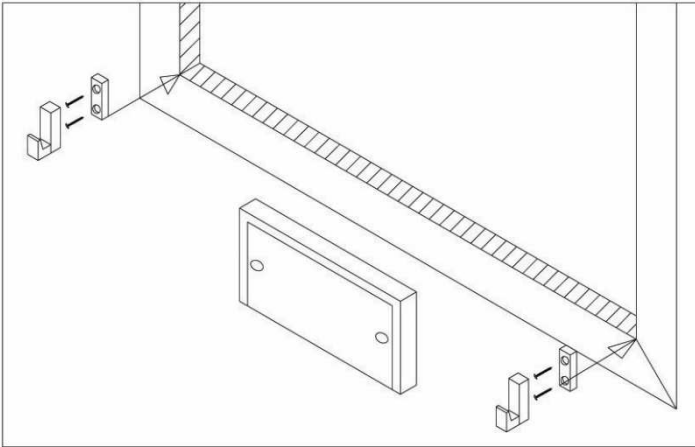


Once performed that, apply stickers signals as follows :put the symbols "MIND THE STEP" and "PUSH" at eye level on the inside part of the door . Apply the yellow and black stripe on the step.





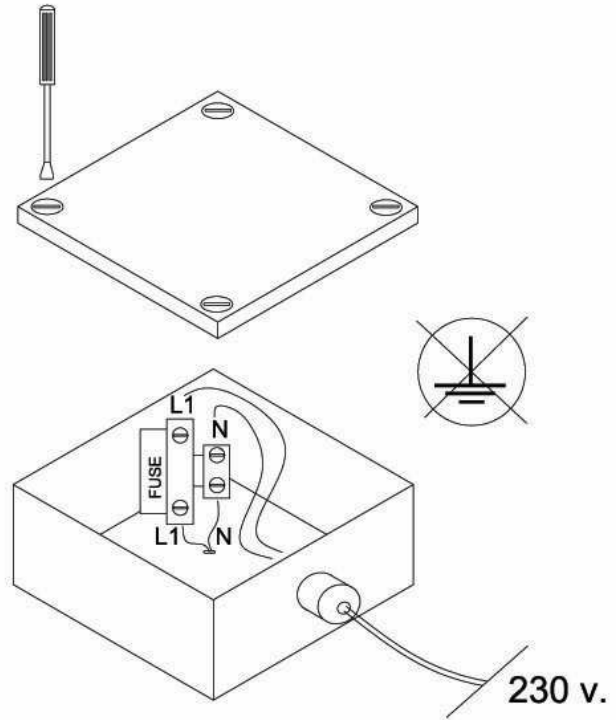
## Hooks



**Wiring** (only model without ventilation)

THIS OPERATION MUST BE PERFORMED ONLY  
BY TRAINED PERSONNEL.

PUMA srl disclaims any liability regarding to  
the connection of the electrical parts if not  
installed by trained personnel.



**Fuse replacement (5x20-6.3A)**



July 6, 2017

