



**Medical soundproof  
user manual and installation**

**PRO30**





**puma srl**

Via Volta 17 - 20019 Settimo Milanese  
Milano - Italy - tel +39 02 3288055  
www.pumasrl.it - info@pumasrl.it

Soundproof booths for audiometric test  
Model **PRO 30**

Corresponding to the directive 93/42/EC - 2007/47/EC  
As medical device class I

S.N. **PXXXXXXXX#**

### **Description**

Modular solution complies with ISO 8253, designed for versatility, comfort acoustics. Thanks to innovative modular system the booths are easy and quick to install. Wide range of sizes up to 12 sq.m + mini size for mobile clinic. Available in DIY kit.

**ISO 8253-1 "audiometric test methods"**

Theoretical study on the allowable background noise from outside the soundproof booth series PRO 30.

Values from 125 to 5000 Hz with headphones over standard headsets

Hz	dB lineare
<b>125</b>	<b>51.4</b>
<b>250</b>	<b>43.1</b>
<b>500</b>	<b>45.8</b>
<b>1000</b>	<b>57.5</b>
<b>2000</b>	<b>61.3</b>
<b>3150</b>	<b>66.9</b>

Values from 125 to 5000 Hz with headphones over standard headsets and Amplivox Audiocups or headphones ensuring a reduction at 500 Hz equal to or greater than 23 dB

Hz	dB lineare
<b>125</b>	<b>57.4</b>
<b>250</b>	<b>51.1</b>
<b>500</b>	<b>62.8</b>
<b>1000</b>	<b>72.5</b>
<b>2000</b>	<b>74.3</b>
<b>3150</b>	<b>79.9</b>

**NOTE:**

These data have been completed using the tables of noise reduction (Dp) of the cabin PRO 30 tested at the center studies and research C.S.I. of which we show an excerpt of the test report.

The complete file of the study on allowable the background noise is filed at PUMA s.r.l. offices.



**puma srl**

Via Volta 17 - 20019 Settimo Milanese

Milano - Italy - tel +39 02 3288055

www.pumasrl.it - info@pumasrl.it

## **Use and counter indications**

- The sound-proof booth can be used only for audiometric examinations or similar and not for other medical purposes with applied components (i.e. electrodes) to the patient. It is necessary having different specifications in this case.
- The booth must be used only by trained personnel.
- Man performing the test must always see the patient inside the booth.
- It is forbidden inside the booth to smoke and to light any flame.
- The booth installation in a wrong way / position or near-by flammable materials disclaim all manufacturer responsibilities.

PUMA srl disclaims any responsibility for misuse, incorrect re-installation or improper use of the booth.

## Equipment panels connection

The new connecting panels allow:

- Direct contact between the booth internal and external equipment in without further interruptions or type jack connections.
- Fast replacement of equipment with different connections.
- The ability to add cables through.

## Mounting



1) Remove the lid seals acting on the two screws by with Allen key which is provided. Do the same action inside the booth.



2) Place the cables of all the appliances through the central hole.



3) After placing them, let them fall and close both the lids (external and internal) previously removed. Now tighten the screws with the Allen key.



4) Connect the selected equipment

**Connection cables for universal connection panels (optional)**



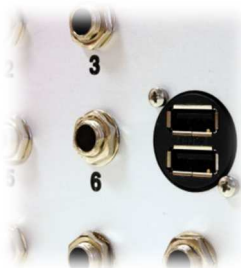
Tripolar connection jack cables fully insulated allowing an immediate connection with the main audiometric instruments between the inside and the outside of the cabin.  
 To be used with the universal connection panels.



**Jack panel for instruments connection (optional)**



A tripolar jack connection plate is available on request. 10 jack inputs, suitable for most of diagnostic and clinical instruments.



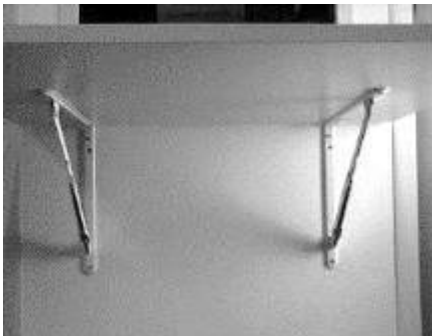
Additional double USB port to connect with other instruments or PC.



## Reclining table

maximum capacity kg 12.

Tilting table has large dimensions and it is suitable for small spaces inside and outside the booth



It's supported by two folding shelves and can be easily opened. Easily opening device extending to the rail end.



The safety joints can be blocked in their rails pushing the table down. The supporting blocks in their final position will be straight.



To fold the table, lift it from the open position, then help manually the rails to shut down.

## **Maintenance and Cleaning**

### **Routine maintenance:**

The soundproof booth does not require any specific maintenance. The replacement of the broken lighting device can be performed by trained personnel. (electrician).

### **Medical rooms maintenance and periodical check-ups:**

The maintenance of electrical systems should be committed to qualified companies which have the technical and professional requirements according to the DM 37 of 22.01.2008, art 4.

You should check periodically the system, in details you should check the grounding system efficiency every second year by measuring its resistance value, with reference to what is stated by the IEC 64-710, the medical room systems should be regularly checked by a trained technician. For this reason you should performs the following checks:

- measurement of insulation resistance according to IEC 64-8/6, minimum every two years
- potential equalization at intervals not exceeding three years
- measurement of the resistance of the supplementary equipotential connection at intervals not exceeding three years
- the operation of safety power equipments according to the manufacturer's instructions and in any case at intervals not exceeding one year
- the efficiency of the grounding system at intervals not exceeding two years
- the efficiency of the electrical operation of residual current devices at intervals not exceeding one year

The tests and their results should be recorded in a signed and stamped register by the technical performer with the date of execution of the same.



**Cleaning:**

The outside of the booth can be cleaned as any furniture.

To clean the internal carpet and the fabric on the walls use specific products commercially available.

**Warning:**

- The user is the solely responsible for the use the of device and for any consequences deriving there from.
- Do not expose the device or its accessories to liquid or high humidity
- Do not expose the booth to extreme temperatures.
- Avoid exposure to direct sunlight or heat sources. Overheating of electrical components may cause fire or equipment damages.
- The opening or unpacking of all components or any of their accessories, regardless of the reason may cause damage not covered by warranty.
- To avoid electrical shock, do not operate on active or electrified parts. Request the assistance of qualified personnel.
- The replacement of power fuses can be performed only by trained or expert personnel.
- In case of power fuse replacement, the rated current of the device must not be greater than 6 A gG.
- Don't block the ventilation fan when using the booth.
- To dispose used batteries and electrical and electronic components, please observe the local regulations and promote recycling where possible.
- Disposal instructions for old products: Directive on electrical and electronic equipment waste (WEEE Directive) aims to ensure that products are recycled by using best available techniques in treatment, recovery and recycling to ensure people health and an intense environmental protection. Do not dispose of such products together with your household waste. Inform yourself about the local separate collection of waste regarding electrical and electronic equipments marked by this symbol.



- Brought the complete product (including its cables, plugs and accessories) in the designated WEEE collection facilities or to approved landfills.

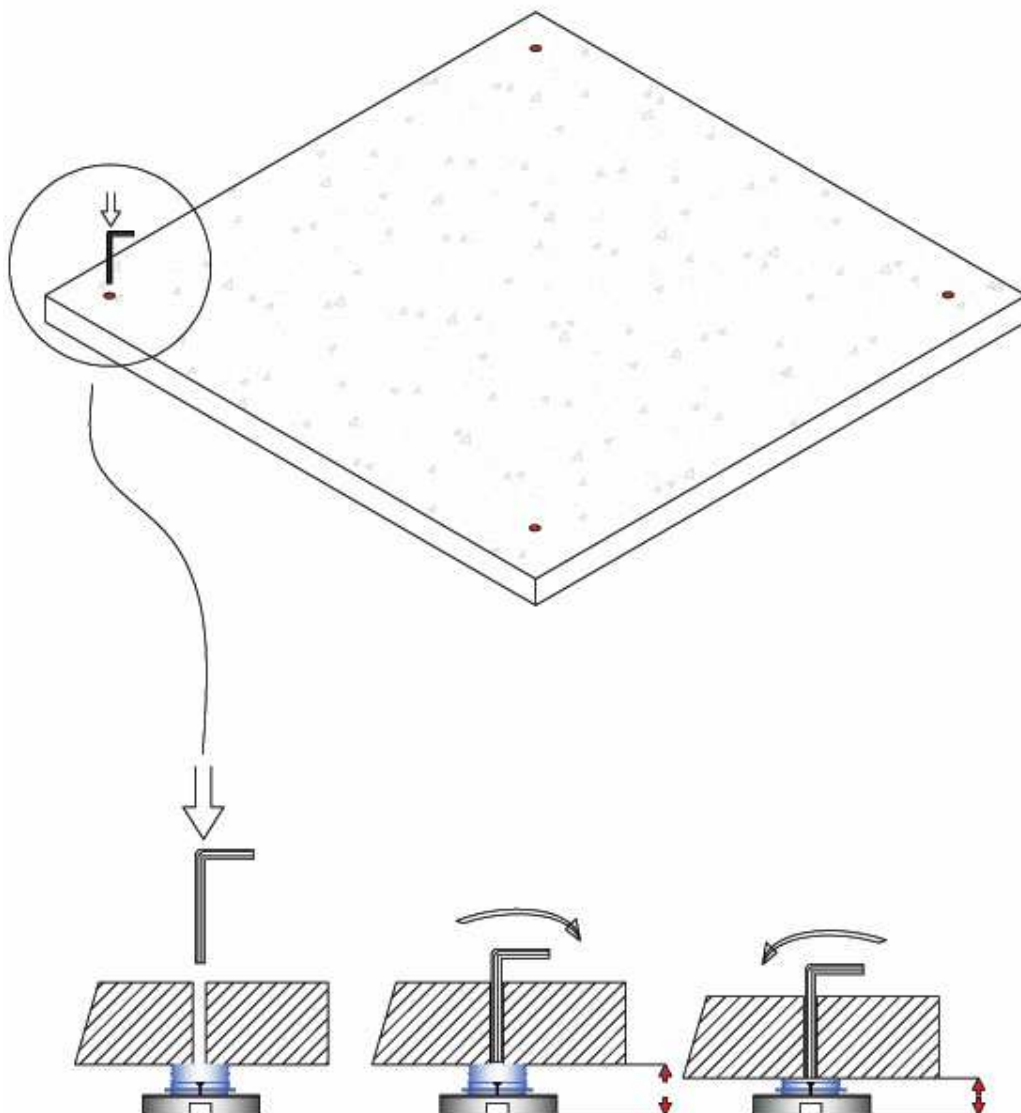
## Assembly instructions

### IMPORTANT NOTE

Installation should be performed by specialized staff trained in furniture assembly.  
You should read all instructions before proceeding.

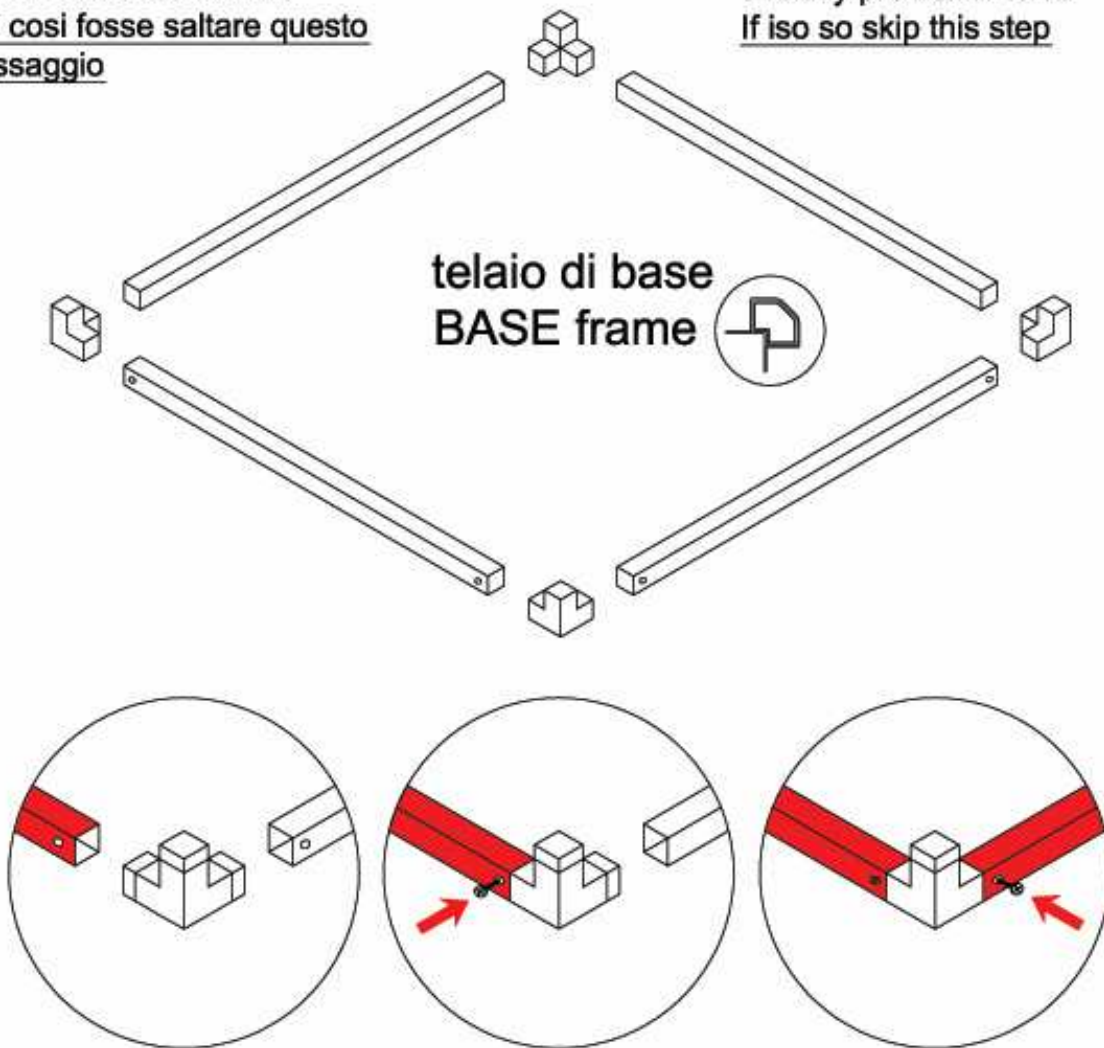
The mounting examples below is a generic scheme valid for all measures.  
Refer to the specific plant design of the cabin for the exact location of all the elements and the electrical system connection.

Provide a cordless screwdriver and use the supplied screws and keys.



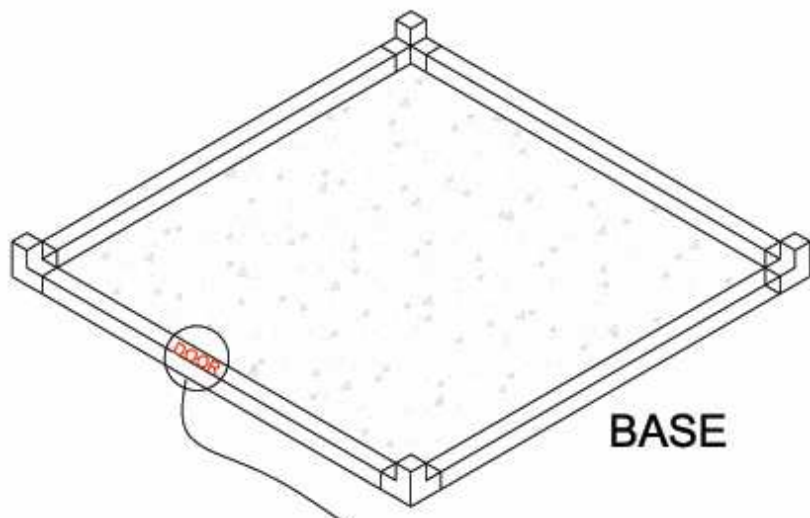
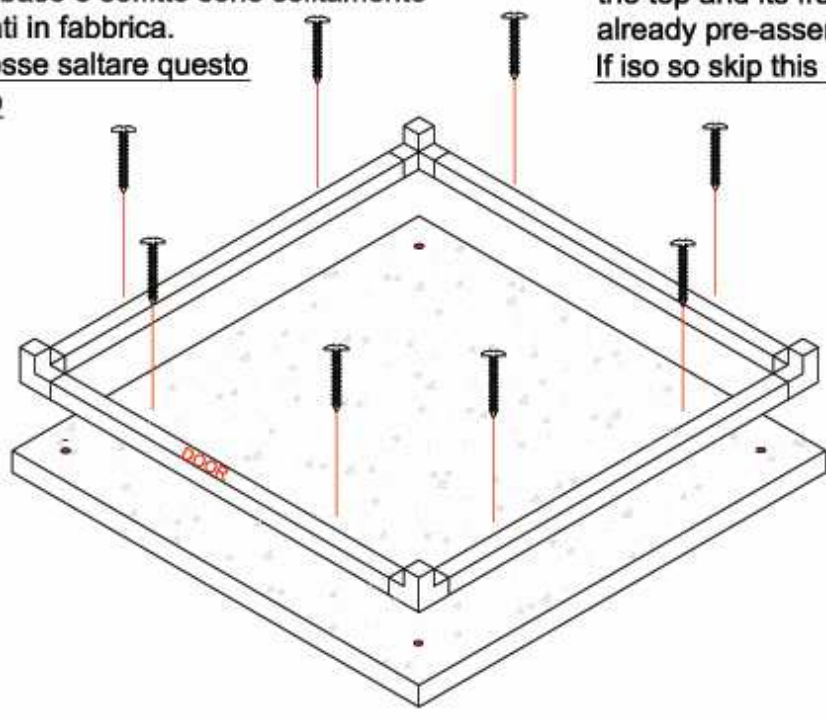
NOTA: nelle cabine di piccole dimensioni  
il telaio di base e soffitto sono solitamente  
pre-montati in fabbrica.  
SE così fosse saltare questo  
passaggio

NOTE: in smaller size booth  
the top and its frame are  
already pre-assembled  
If iso so skip this step



NOTA: nelle cabine di piccole dimensioni il telaio di base e soffitto sono solitamente pre-montati in fabbrica.  
SE così fosse saltare questo passaggio

NOTE: in smaller size booth the top and its frame are already pre-assembled  
If iso so skip this step



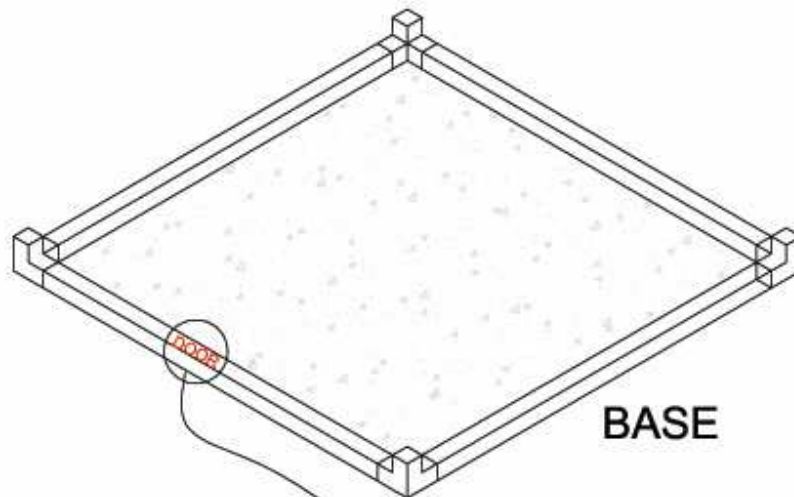
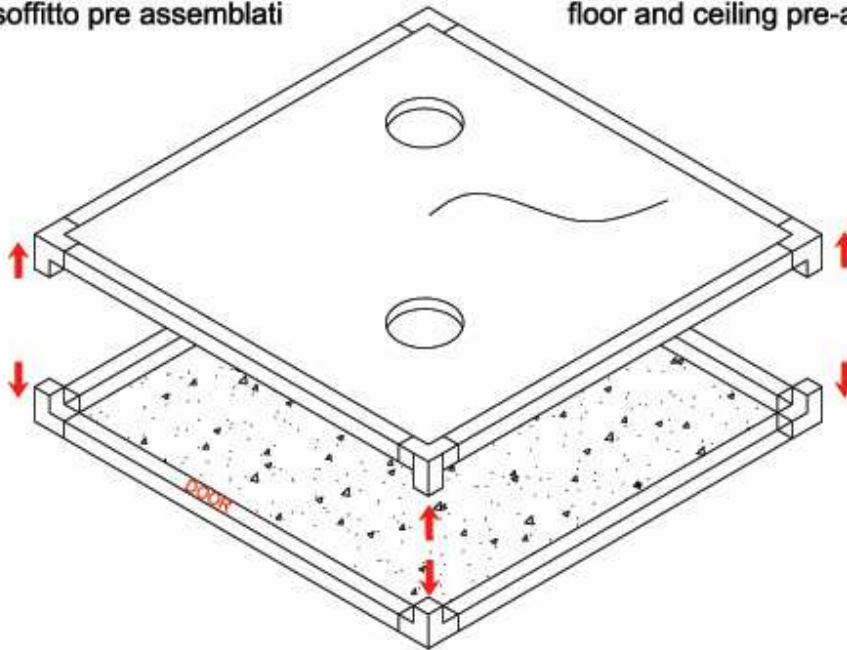
**DOOR**  
(STICKER)

**PORTA**

FARE ATTENZIONE ALL'ADESIVO CON LA DICITURA "PORTA"

base e soffitto pre assemblati

floor and ceiling pre-assembled

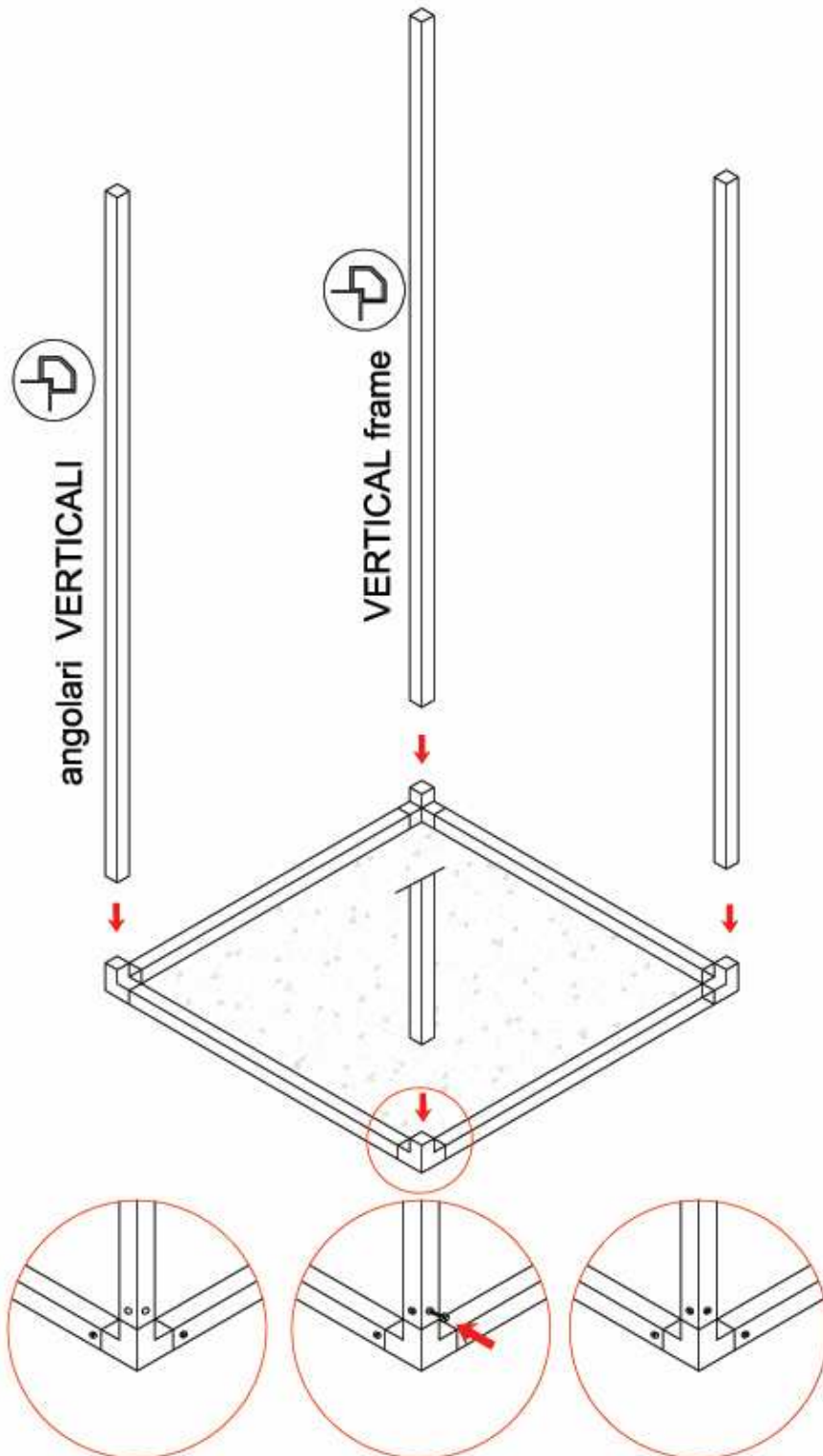


**BASE**

**DOOR**  
(STICKER)

**PORTA**

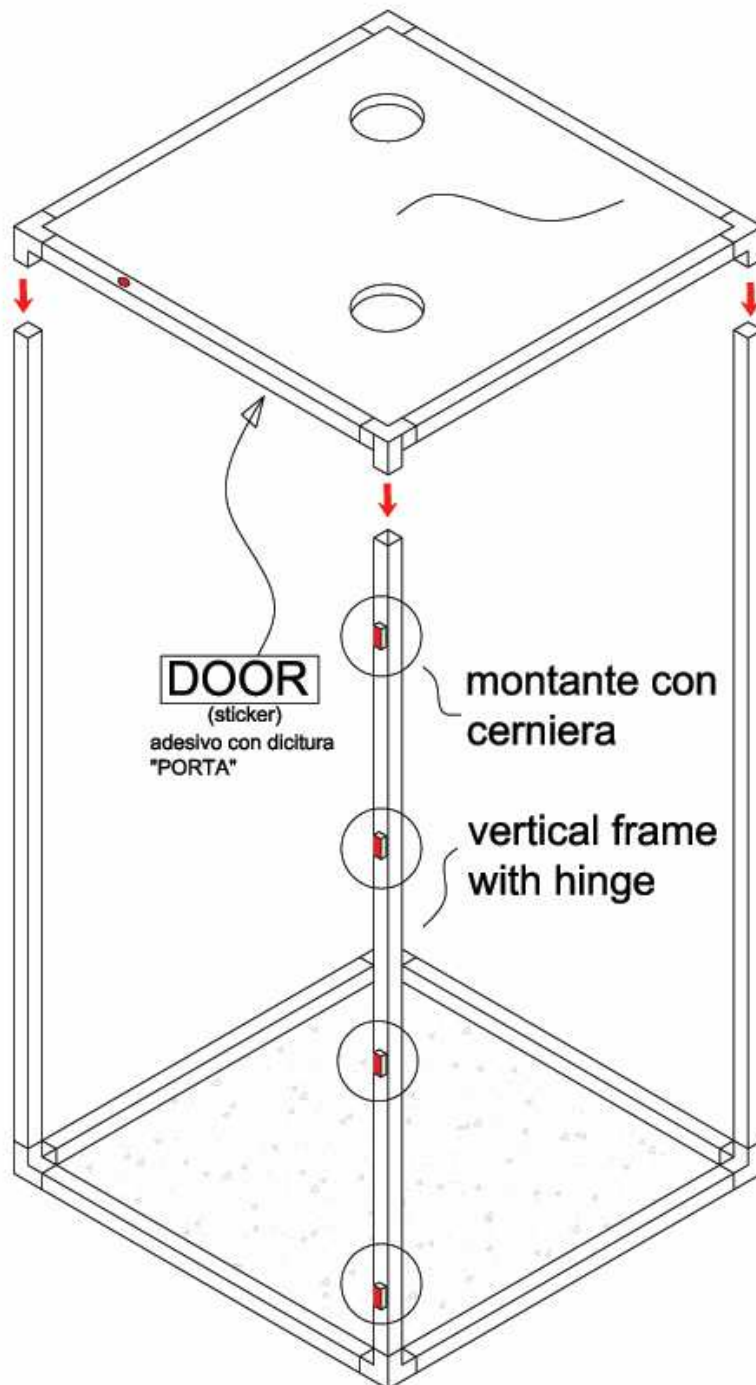
FARE ATTENZIONE ALL'ADESIVO  
CON LA DICITURA "PORTA"

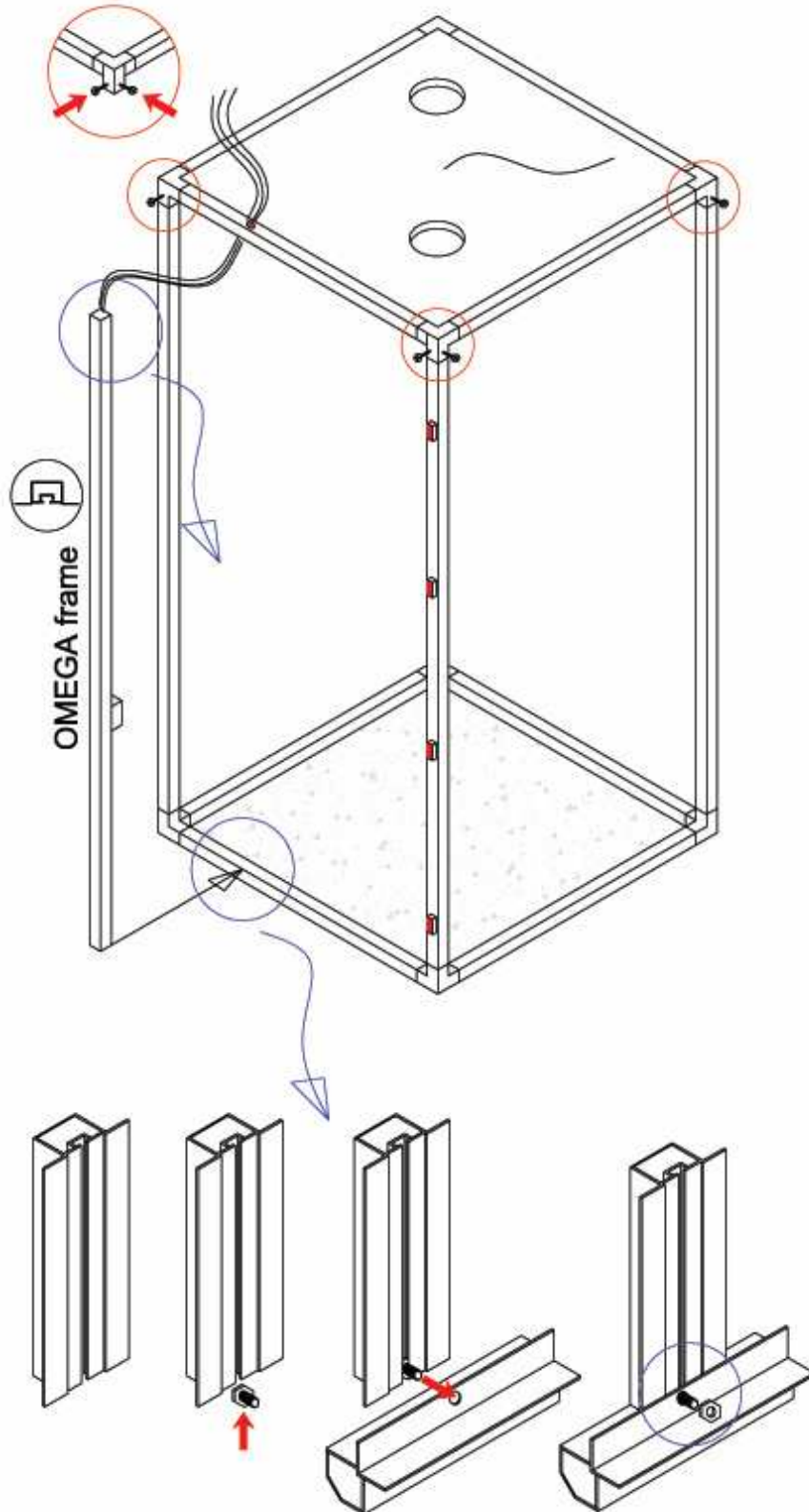


**Note:**

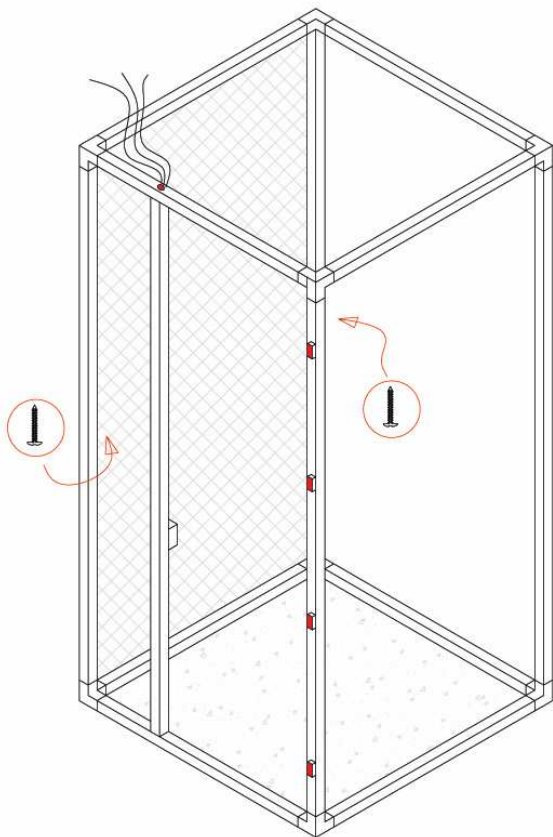
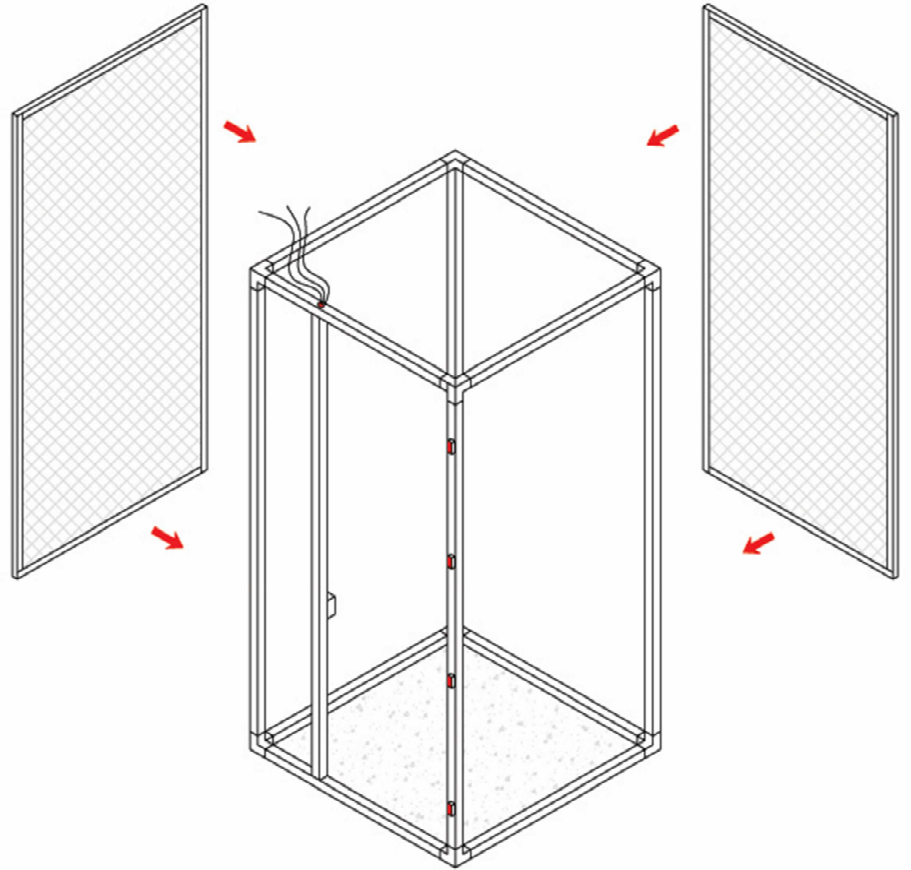
The top frame is the only part with holes for the power cables of the switches and the power sockets.

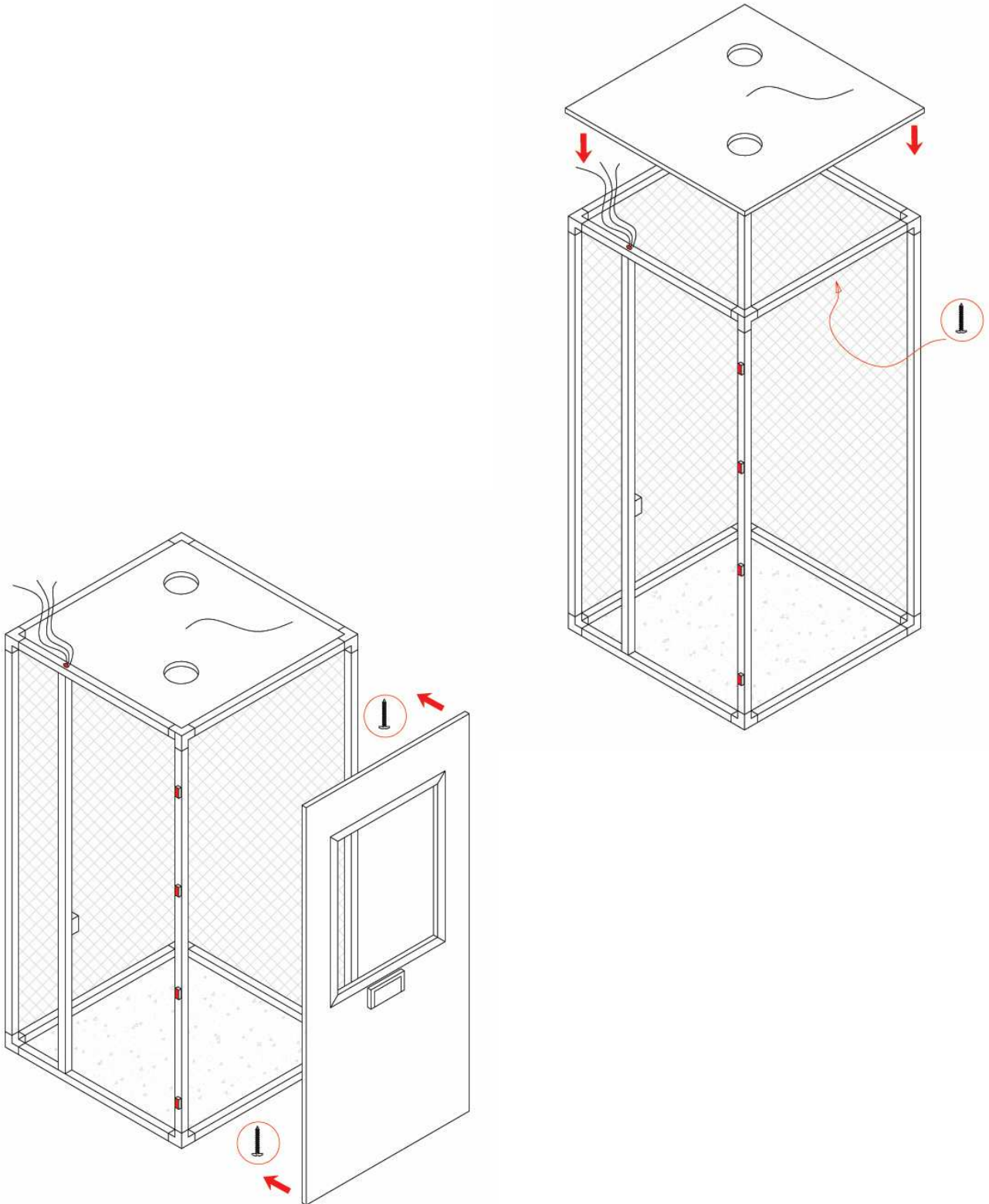
On the base frame there are no holes for power cables.

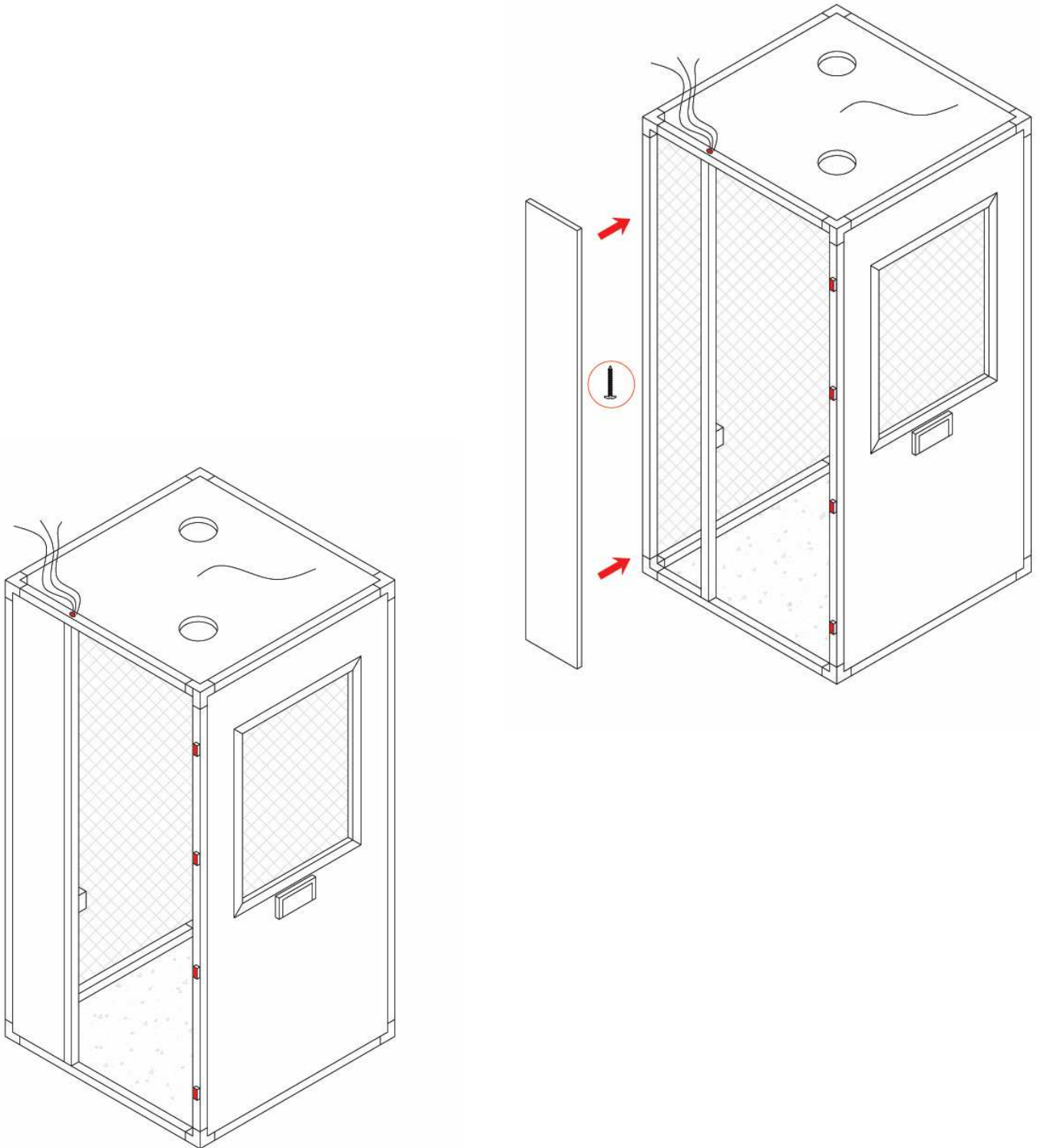


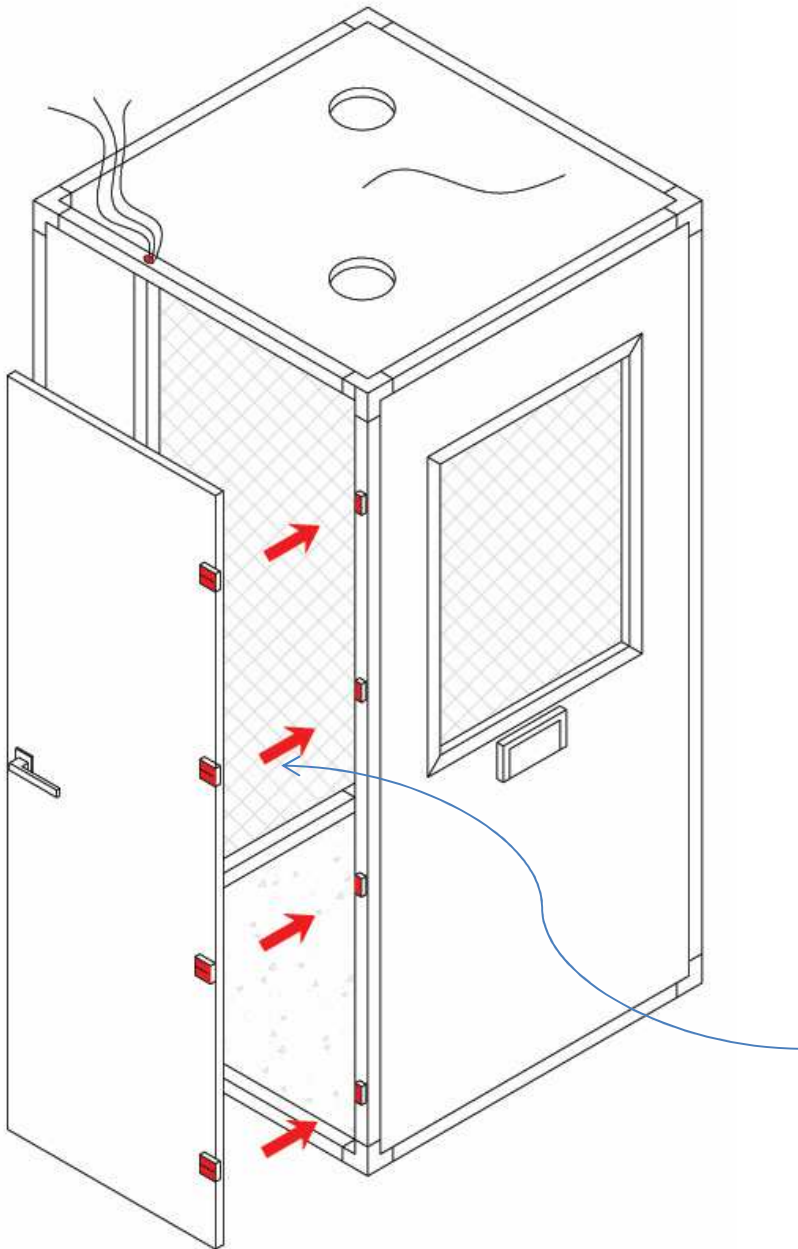


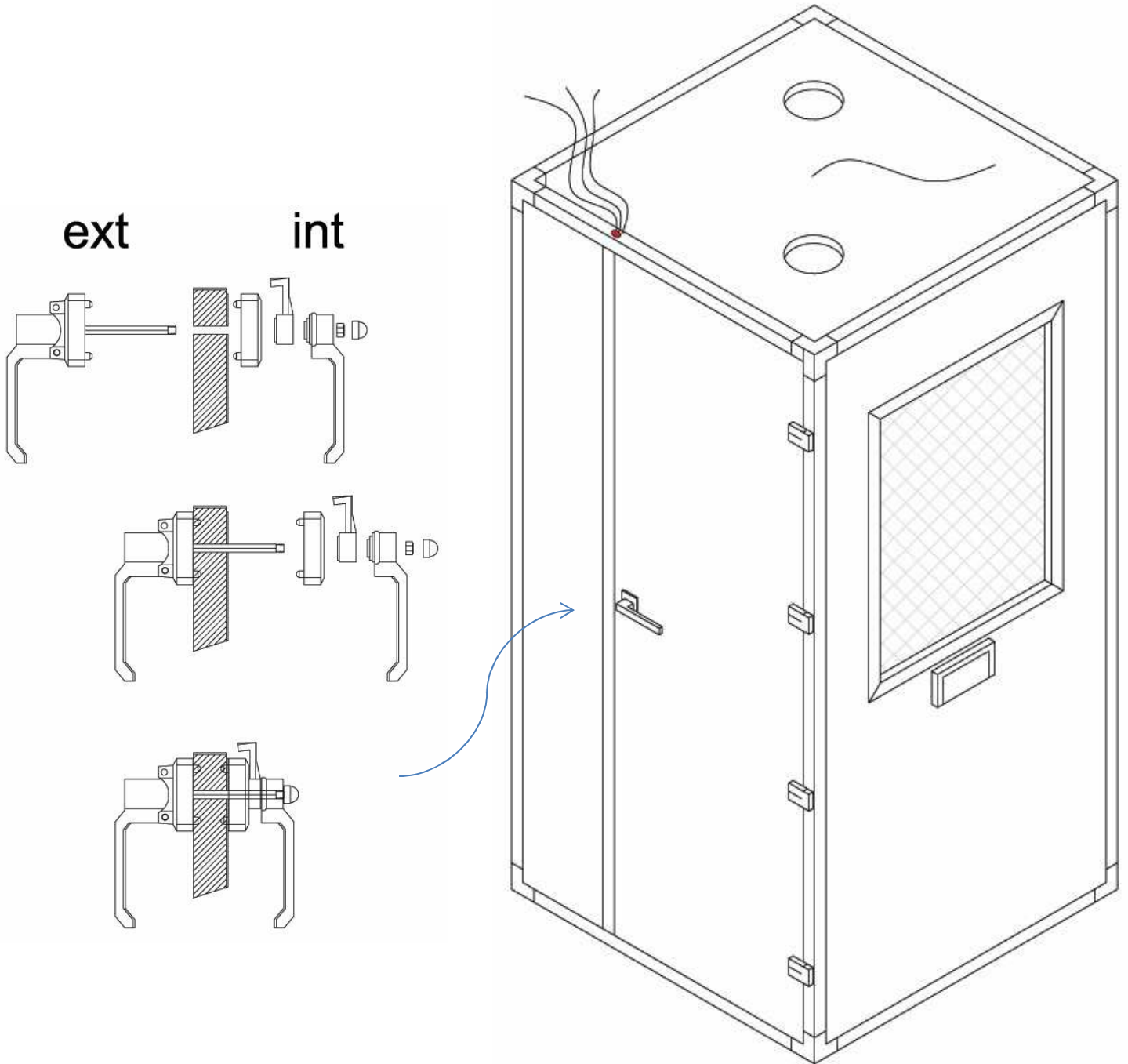




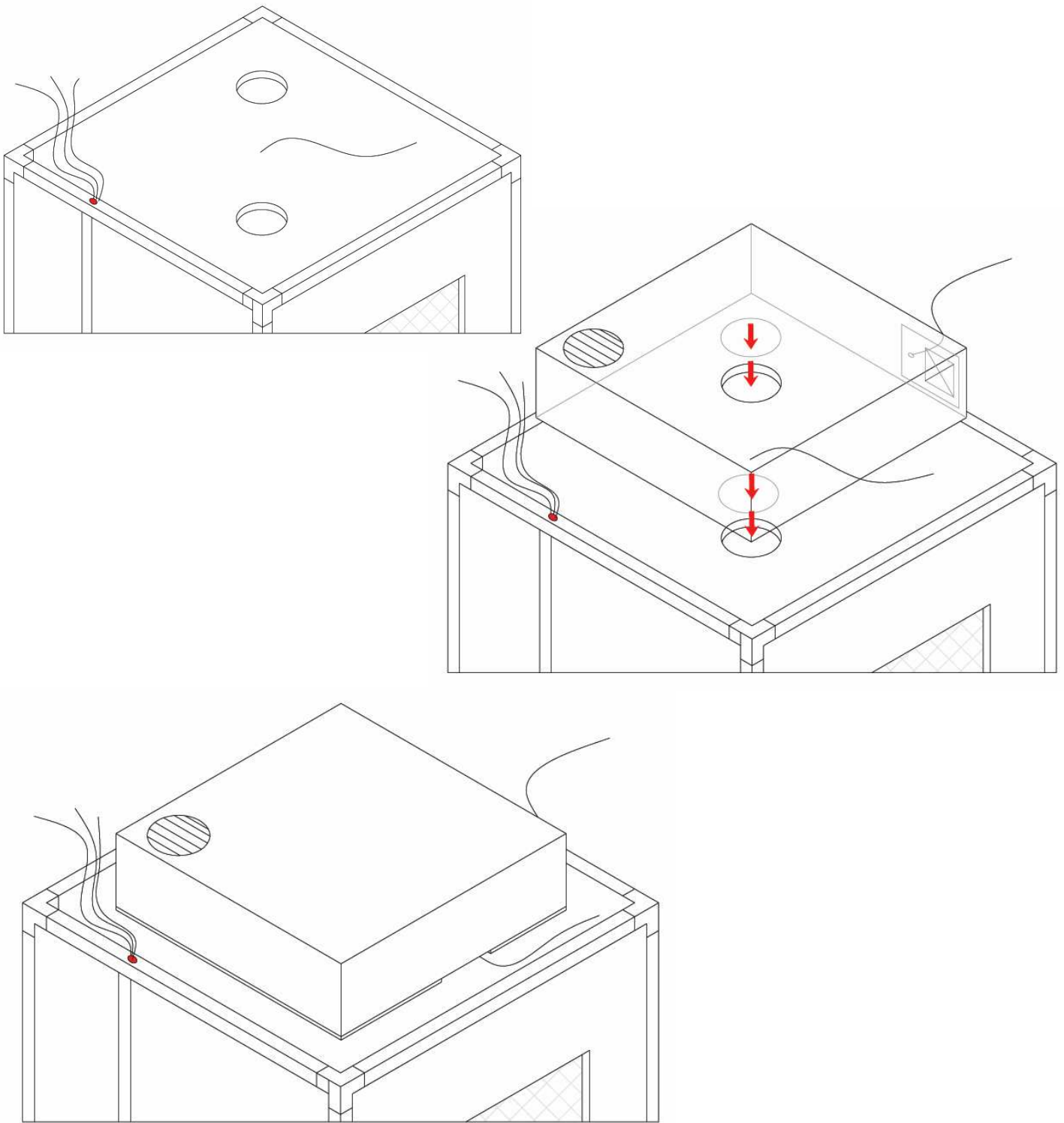




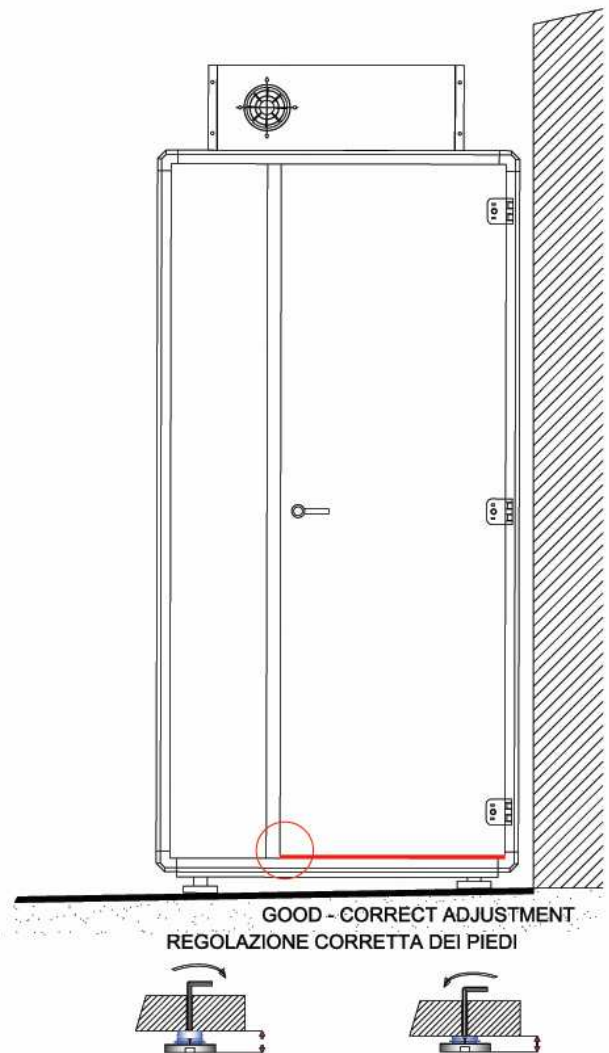
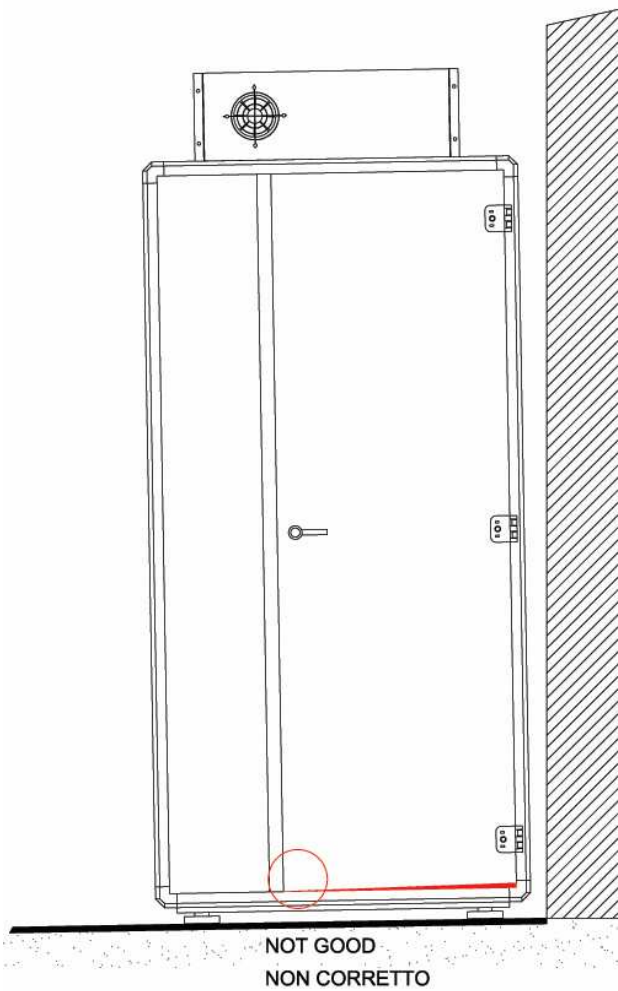


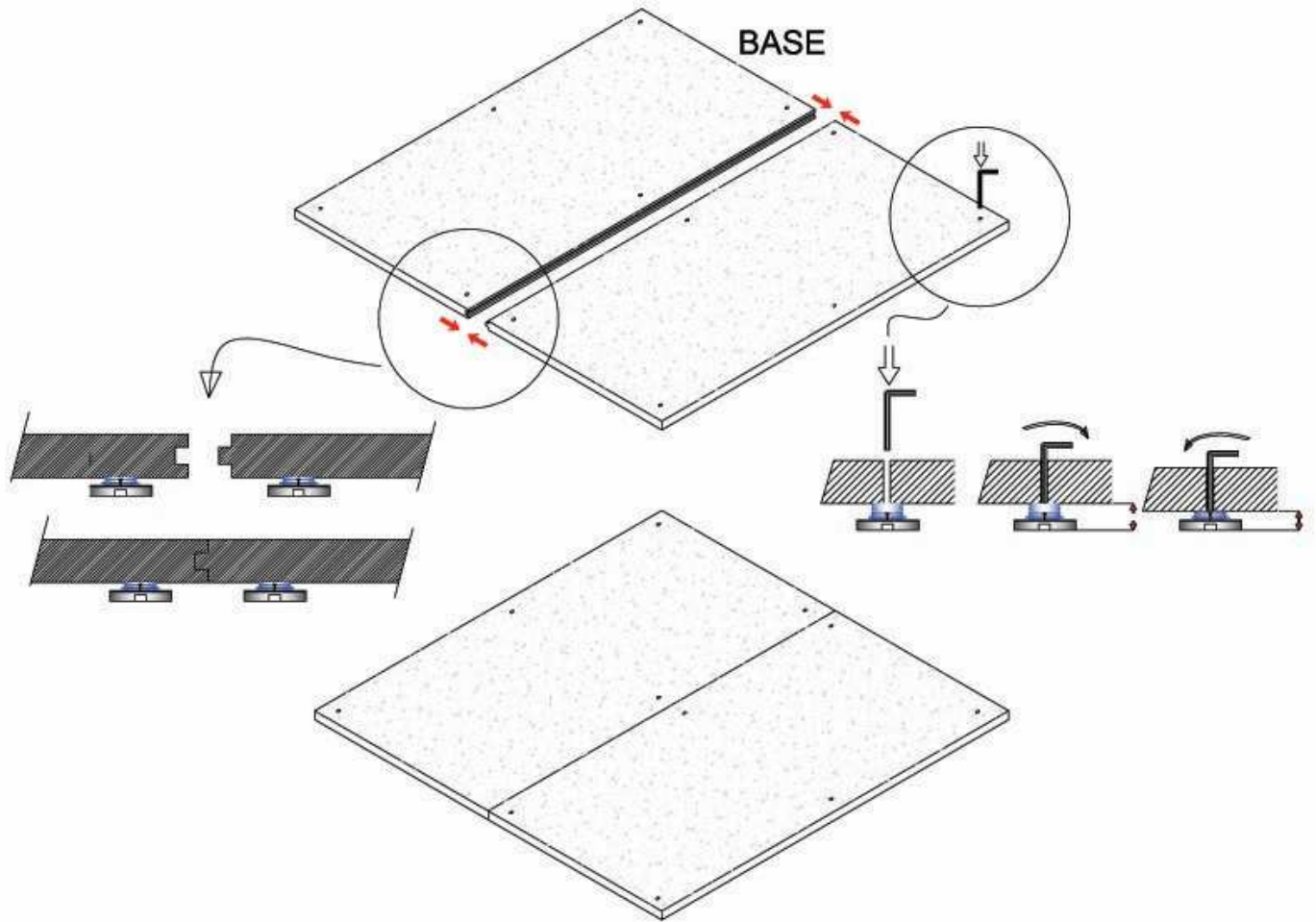


## Ventilation System

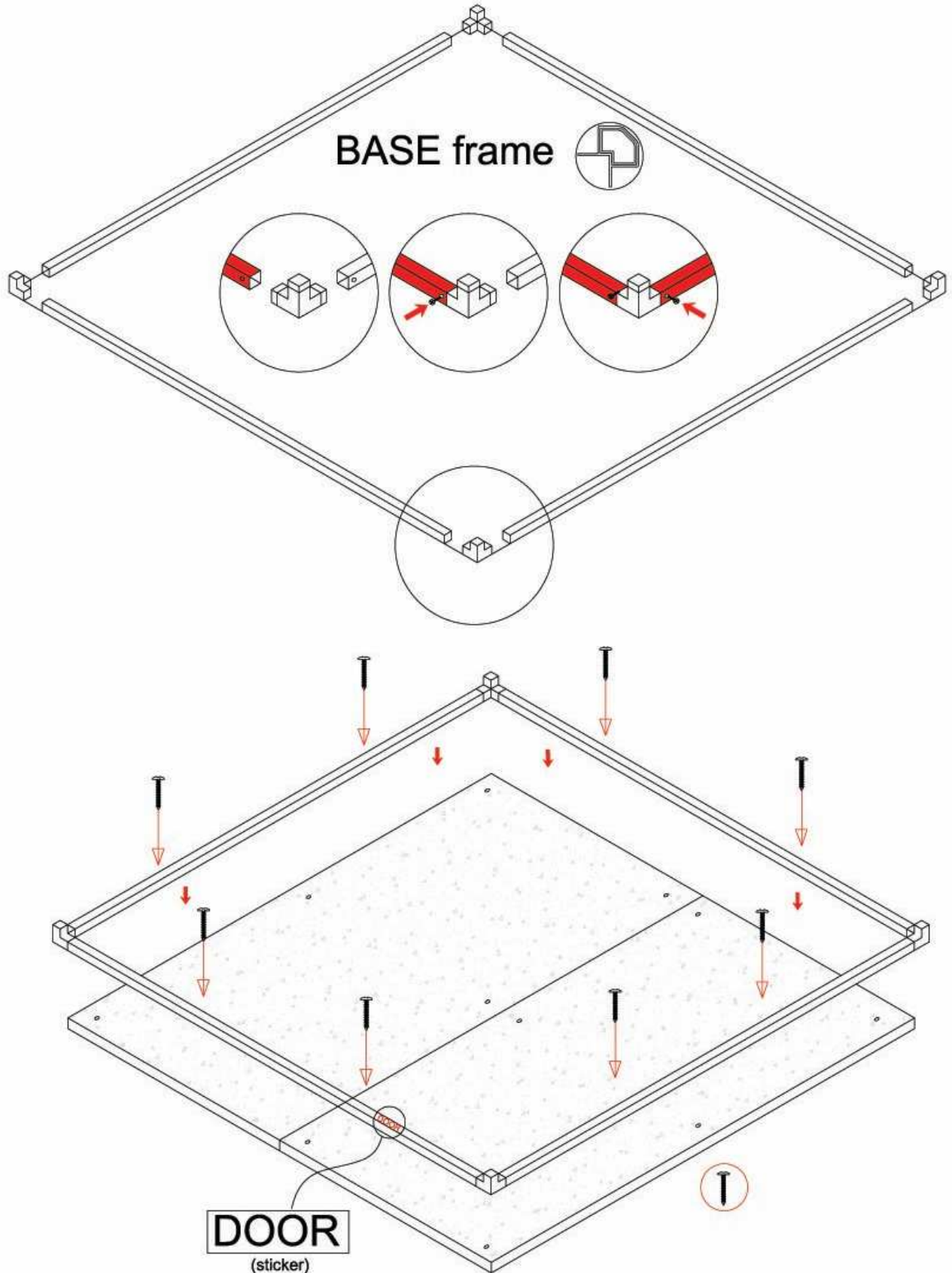


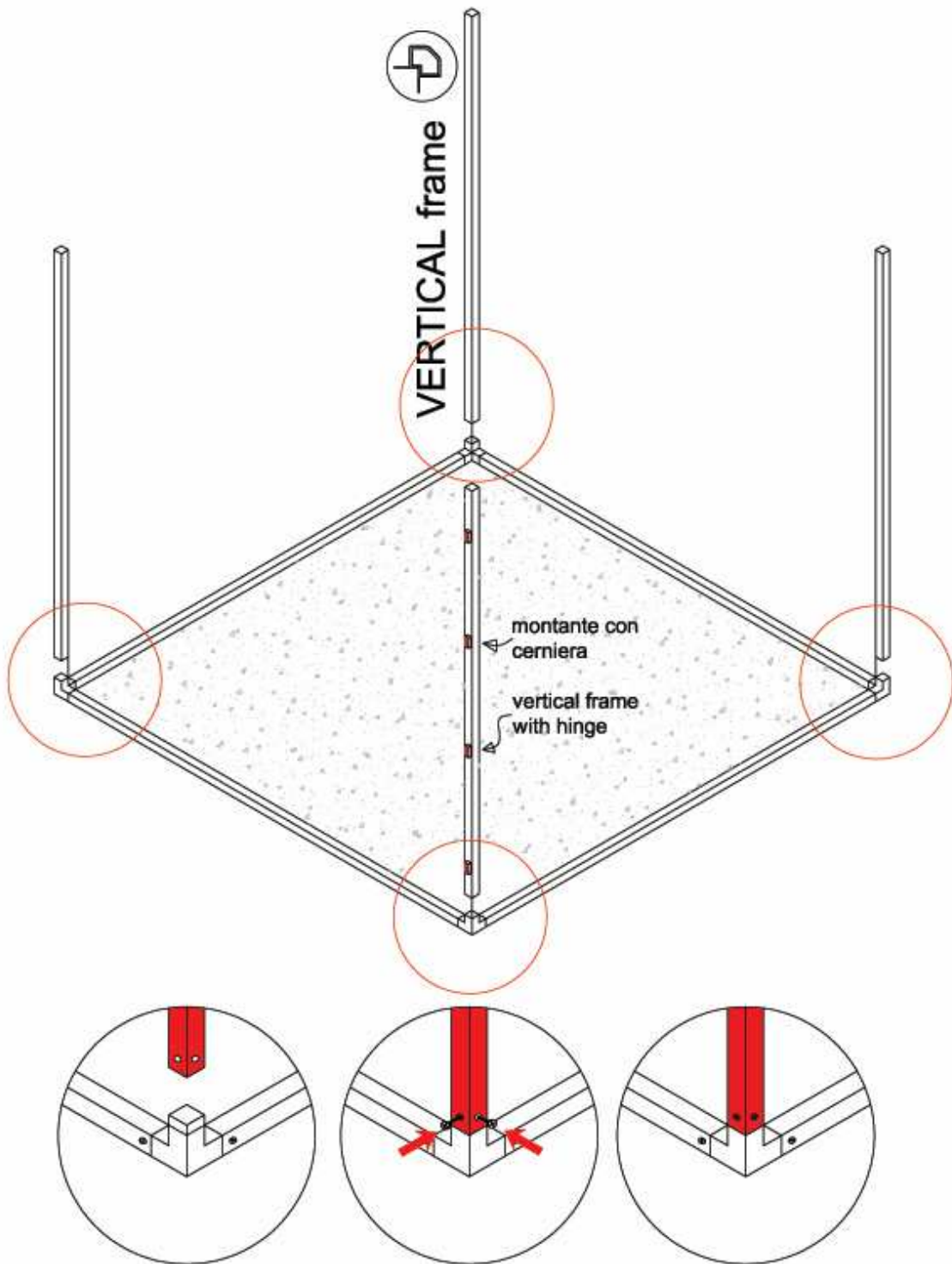
**Adjusting feet**

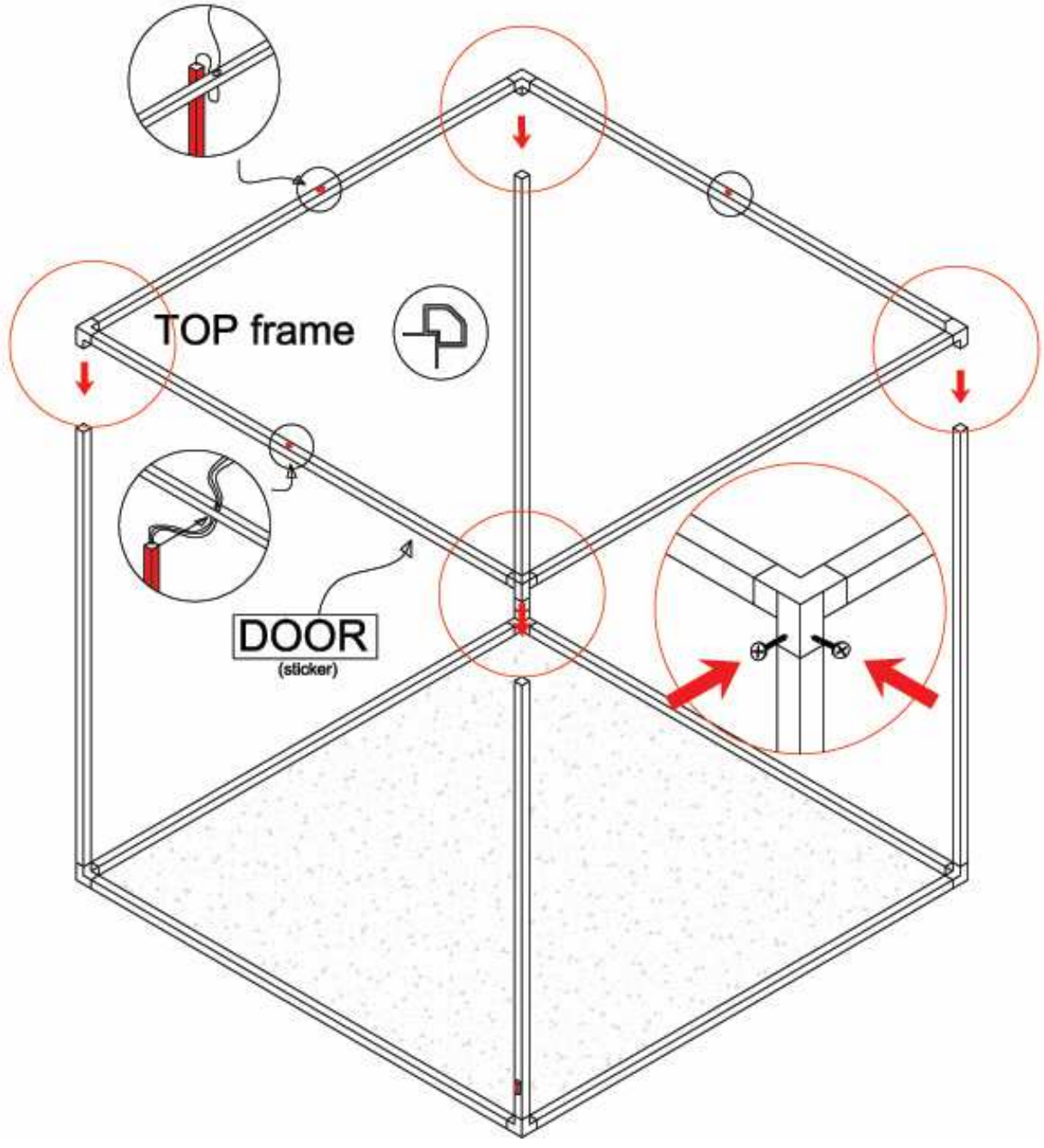


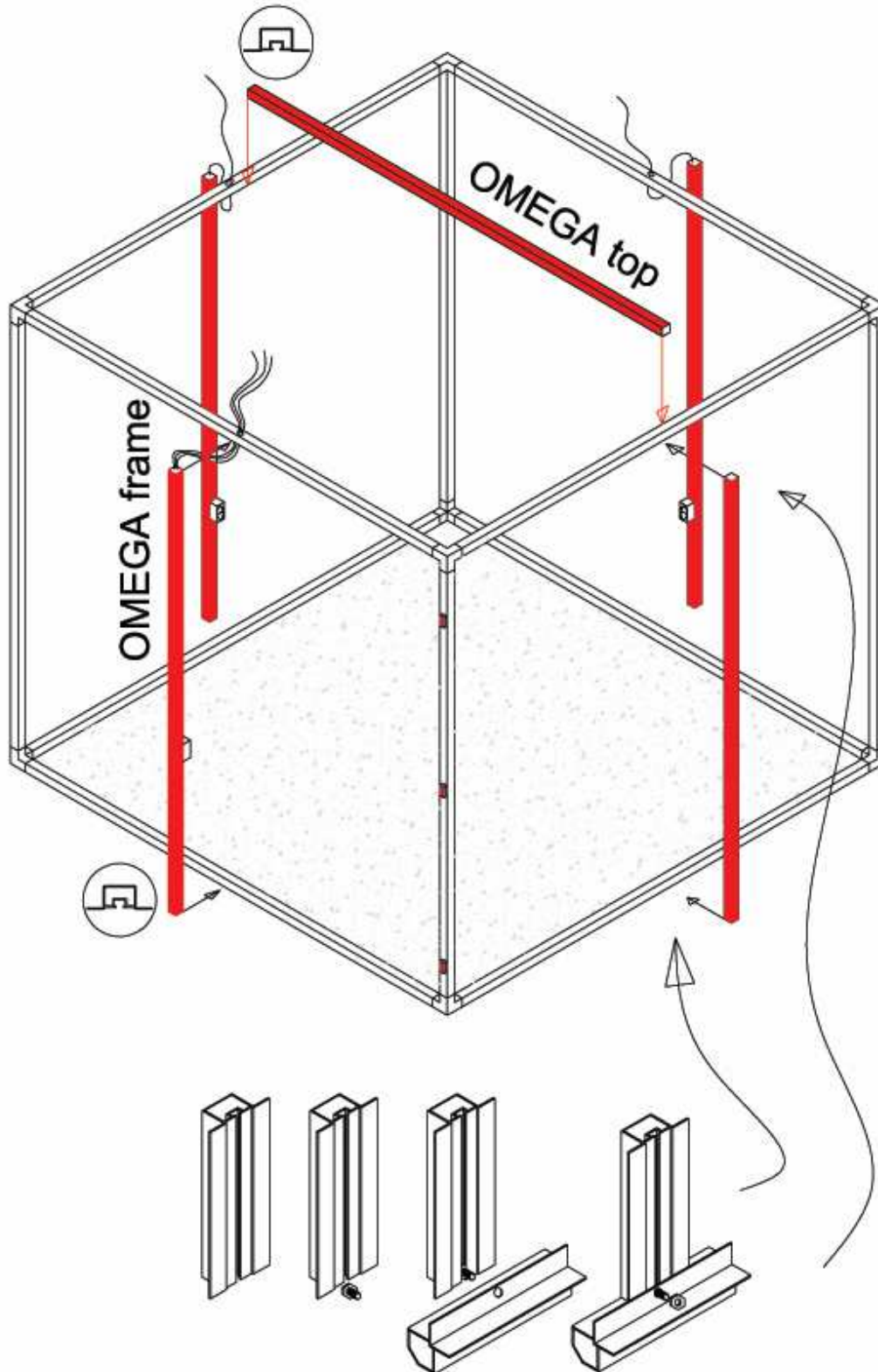


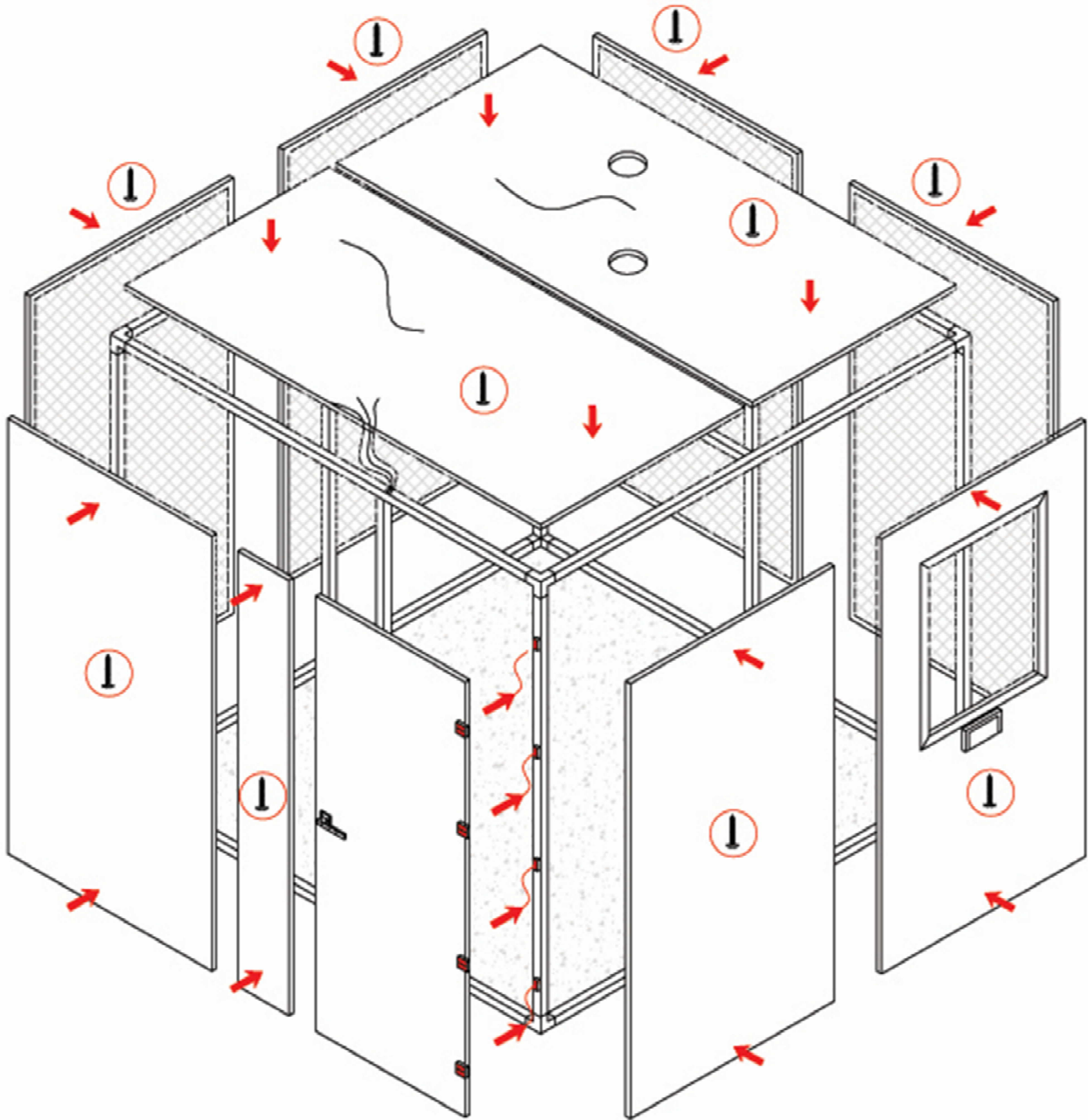




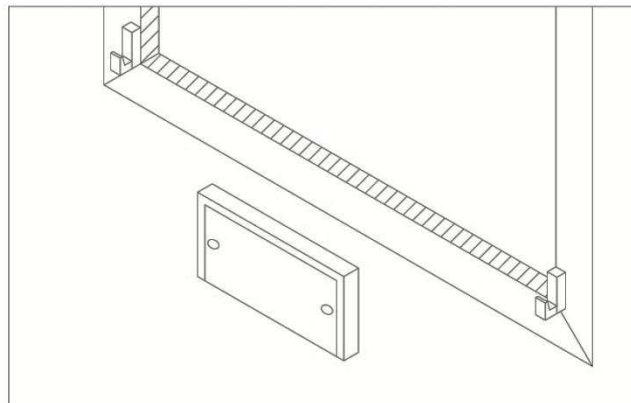
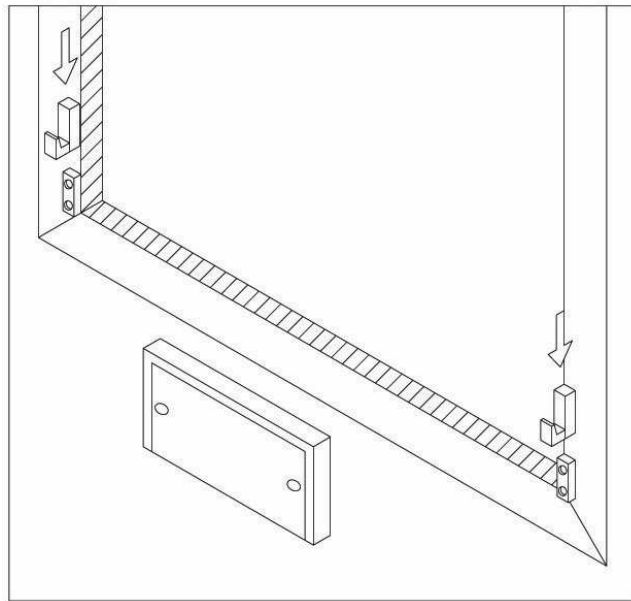
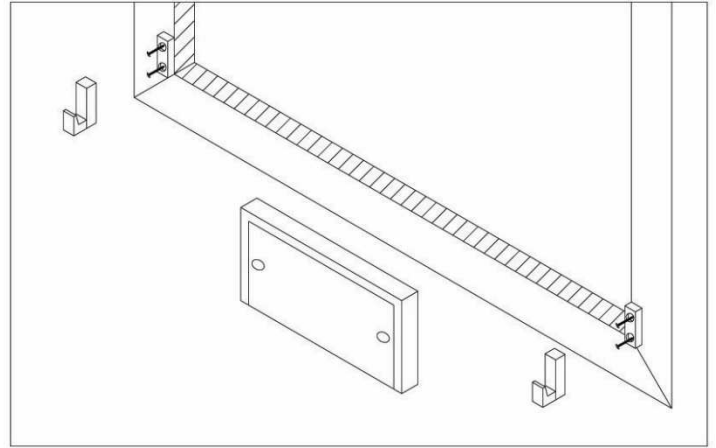
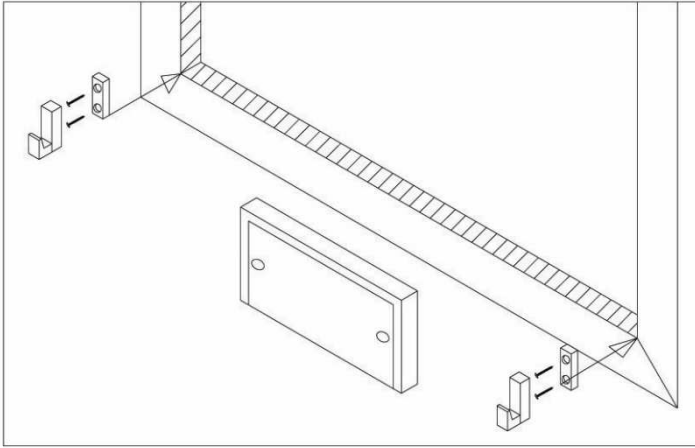








### Headphones Hooks



## security stickers

Operation is finished, apply the adhesive signage as follows: put inside of the door symbol "ATTENTION TO THE STEP"  
On the threshold of the door the yellow stripe and black



at eye level on the



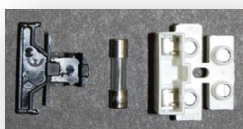
## wiring

THIS OPERATION MUST BE PERFORMED ONLY BY TRAINED PERSONNEL.

PUMA srl disclaims any liability regarding to the connection of the electrical parts if not installed by trained personnel.

NOTE: The light fittings can be removed if the booth is shipped in the packing case. In this case, install the lights according to the instructions contained in the boxes and use the pre-installed cable through the holes in the ceiling.

## Fuse replacement





**puma srl**

Via Volta 17 - 20019 Settimo Milanese

Milano - Italy - tel +39 02 3288055

www.pumasrl.it - info@pumasrl.it

Disegno della cabina e tutti suoi componenti

Schema di montaggio

Schema elettrico

July 6, 2017

