



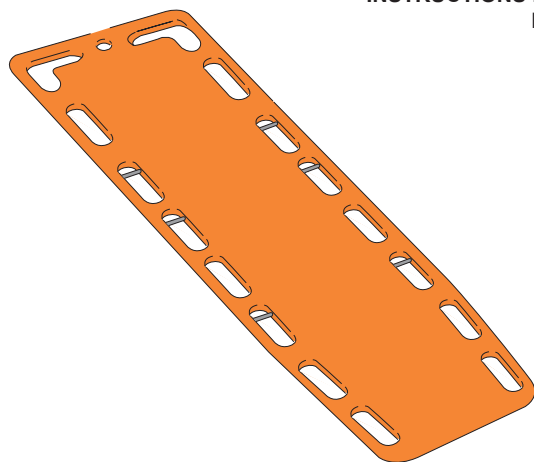
GIMA

PROFESSIONAL MEDICAL PRODUCTS

Gima S.p.A. - Via Marconi, 1 - 20060 Gessate (MI) Italy
Italia: tel. 199 400 401 - fax 199 400 403
Export: tel. +39 02 953854209/221/225 fax +39 02 95380056
gima@gimaitaly.com - export@gimaitaly.com
www.gimaitaly.com

TAVOLA SPINALE
SPINAL BOARD
PLANCHE DORSALE
TABLERO ESPINAL

MANUALE D'USO E MANUTENZIONE
USE AND MAINTENANCE BOOK
INSTRUCTIONS DE FONCTIONNEMENT ET ENTRETIEN
MANUAL DE USO Y MANTENIMIENTO



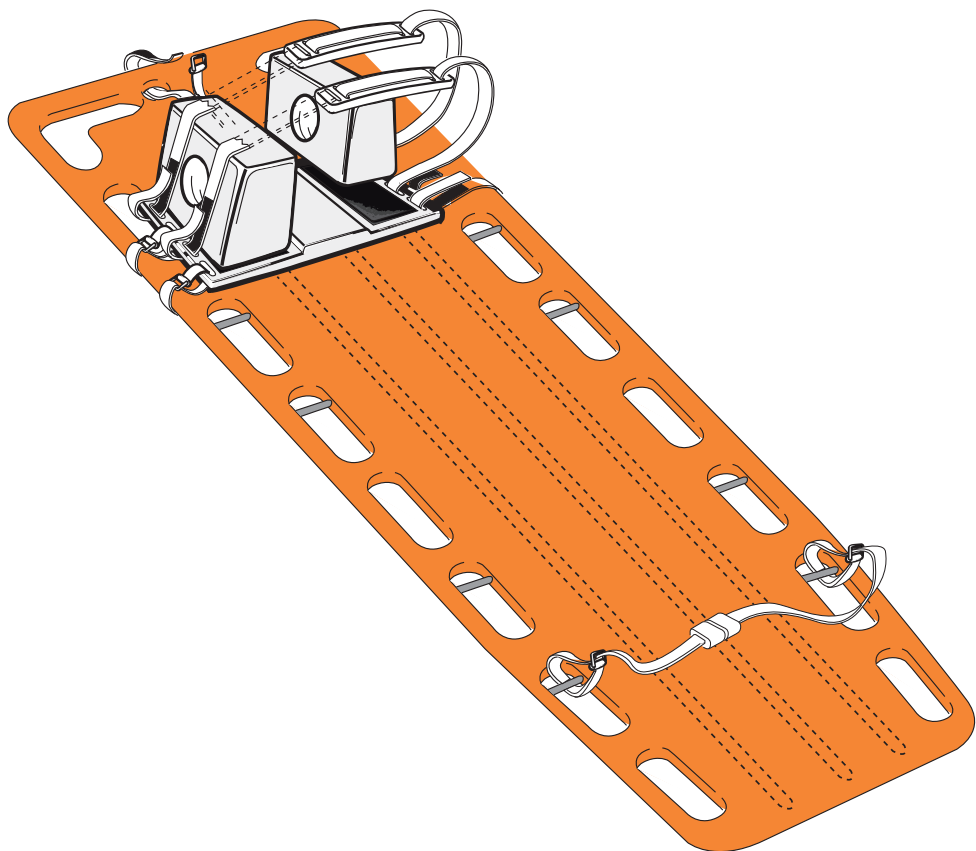
ATTENZIONE: Gli operatori devono leggere e capire completamente questo manuale prima di utilizzare il prodotto.

ATTENTION: The operators must carefully read and completely understand the present manual before using the product.

AVIS: Les opérateurs doivent lire et bien comprendre ce manuel avant d'utiliser le produit.

ATENCIÓN: Los operadores tienen que leer y entender completamente este manual antes de utilizar el producto.







This product is made of high density PE material by one-step molding. There are two carbon fibre reinforced plastic stays which makes board strong.

The spinal board is used for transferring spinal injury patient, also used as normal stretcher.

Dimension: 72" X 18" X 2" (183 cm X 46 cm X 5 cm)

Weight: 7.0 kgs

Loading capacity: 200 kgs



Warning!

The product should be practiced by trained persons.

The patient should be moved and carried by trained persons, or damage may occur.

OPERATION

1. Place the product on flat ground.
2. Move the patient on the product in the right way.
3. Unlock the fixed straps, and thread one side of strap through the handle hole of spinal board, and lock the straps one by one.
4. The spinal board has handles on the edge. After be sure the patient is fixed well, the patient can be moved both frontward and backward or rightward and leftward.

CLEANING

Wash with water and soap or bactericidal liquid

GIMA WARRANTY CONDITIONS

Congratulations for purchasing a GIMA product.

This product meets high qualitative standards both as regards the material and the production. The warranty is valid for 12 months from the date of supply of GIMA.

During the period of validity of the warranty, GIMA will repair and/or replace free of charge all the defected parts due to production reasons. Labor costs and personnel traveling expenses and packaging not included.

All components subject to wear are not included in the warranty.

The repair or replacement performed during the warranty period shall not extend the warranty.

The warranty is void in the following cases: repairs performed by unauthorized personnel or with non-original spare parts, defects caused by negligence or incorrect use.

GIMA cannot be held responsible for malfunctioning on electronic devices or software due to outside agents such as: voltage changes, electro-magnetic fields, radio interferences, etc.

The warranty is void if the above regulations are not observed and if the serial code (if available) has been removed, cancelled or changed.

The defected products must be returned only to the dealer the product was purchased from. Products sent to GIMA will be rejected.