

# Gaya technical specification



**.mdd**

**.mdd has a leading position among manufacturers of office furniture with many awards that prove quality and continuously increase demand for it's products.**

The realities of today`s market require constant quality improvement at all levels of modern organization. This applies in particular to customer service, marketing, quality of products and also to quality of processes within the company.

Partnership relations among employees and with business partners form a base of economic growth and success of the company.

Constant investments in innovative machinery park, optimization of management systems and an expansion of production halls allow to minimize the lead times for the product of the highest quality.

**More than twenty years of experience in office furniture industry come with reference from a long list of companies and institutions to show their appreciation for an efficient and comprehensive service.**

**.mdd is higly aware of the environment.**

Being located in the forest region with lake by itis side, .mdd takes the nature seriously and invests constantly in a modern and energy-efficient solutions to preserve the local life. Company puts emphasis on waste segregation and recycling.

.mdd has been awarded for the exceptional care and involvement in waste disposal. All materials used are environmentally friendly and enjoy a high 95 % rate of being recycled.



**General informations:**

**Warranty:**

.mdd products - **5 years.**

Electrical components and fabric - **2 years.**

**Compliant with standards:**

PN-EN 1335-2:2009

**Certificate - MFC:**



**Certificate - fabric:**



**Assembly:**

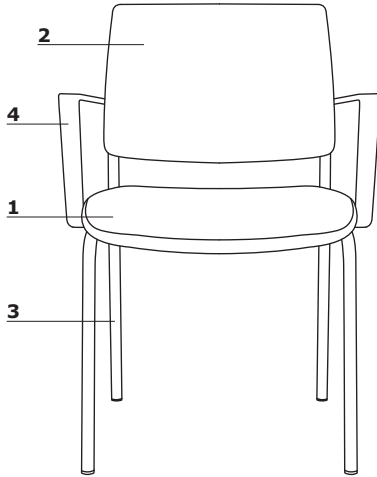
the product comes pre-assembled

**Packing:**

cardboard

<p><b>Gaya</b></p>	<p>Date of preparation 15.01.2021</p>	<p>The data contained in this document is valid in the day of its preparation. Change of the product, as long as it does not affect the basic features of it, does not require consistent updates of the document.</p>	<p>page 2/10 <b>general informations</b></p>
--------------------	---	--	--

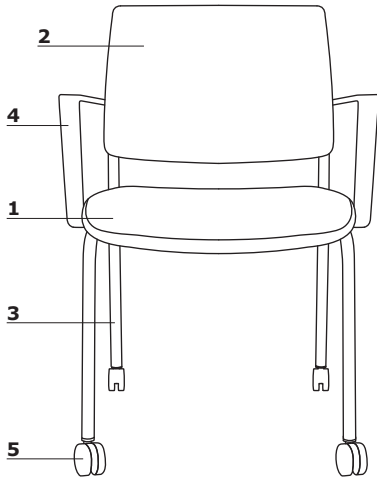
**Gaya**



- 1. **Seat** - upholstered
- 2. **Backrest** - mesh in Runner colours
- 3. **Base** - 4-legged, metal, colour: black semi-matt, powder coated:
  - stacked - max. 4 pieces
  - OPTION WITH EXTRA CHARGE - 4-legged, metal, chrome
  - OPTION WITH EXTRA CHARGE - cantilever, metal, chrome, with glides
- 4. **OPTION WITH EXTRA CHARGE** - armrest, polyurethane, colour: black

- max. load 120 kg

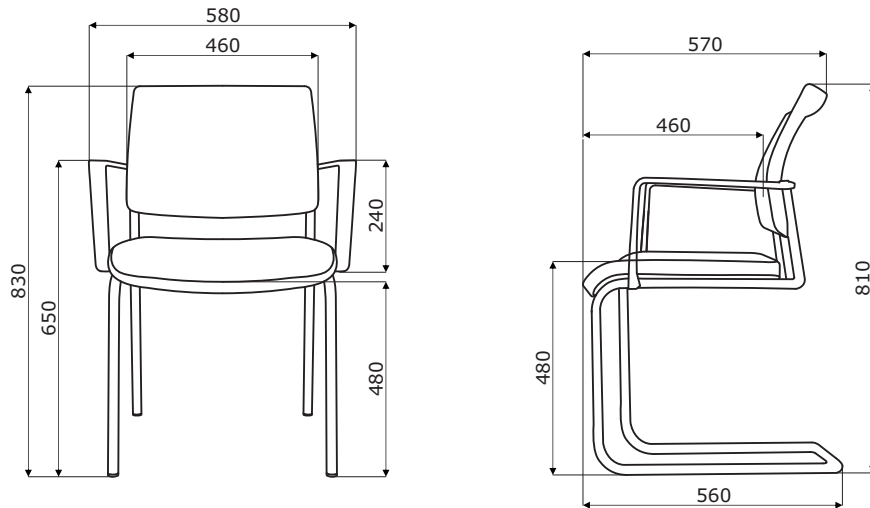
**Gaya K**



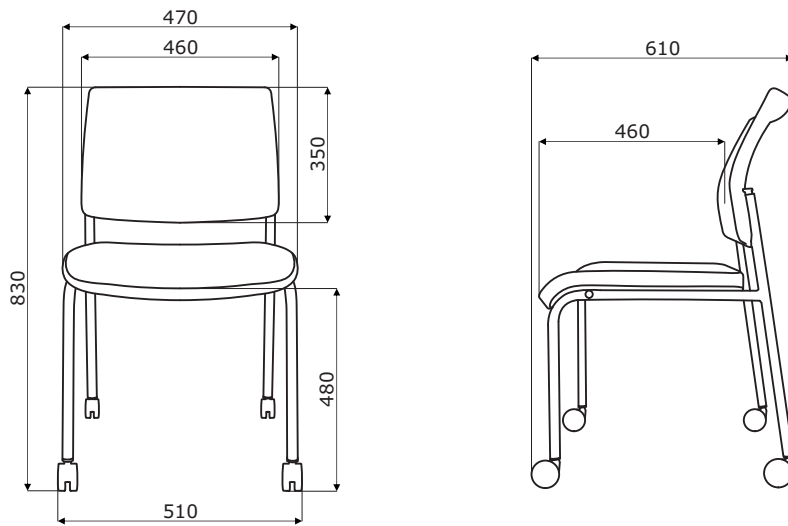
- 1. **Seat** - upholstered
- 2. **Backrest** - mesh in Runner colours
- 3. **Base** - 4-legged, metal, colour: black semi-matt, powder coated:
  - OPTION WITH EXTRA CHARGE - 4-legged, metal, chrome
- 4. **OPTION WITH EXTRA CHARGE** - armrest, polyurethane, colour: black
- 5. **Castors** - for soft floors, colour: black; OPTION WITH EXTRA CHARGE - for hard floors, colour: black

- max. load 120 kg

Dimensions - Gaya



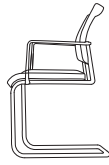
Dimensions - Gaya K



**Gaya \***



**GY4N**  
565 / 570 / 830  
10 kg



**GYC1**  
565 / 515 / 835  
10 kg

**Gaya K \***

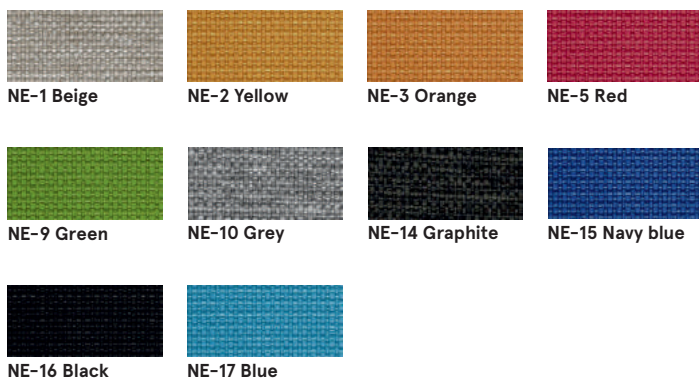


**GY4NK**  
510 / 610 / 830  
10,5 kg

\* dimensions expressed in millimeters: width x depth x height

<b>Gaya</b>	Date of preparation 15.01.2021	The data contained in this document is valid in the day of its preparation. Change of the product, as long as it does not affect the basic features of it, does not require consistent updates of the document.	page 5/10
			<b>products</b>

### Seat - Fabric Nemo



**Technical data:**

**Material** polyester 100%

**Fabric weight** 366g/m2

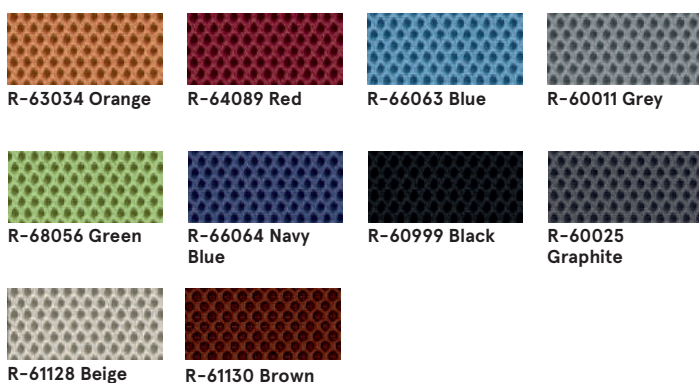
**Abrasion resistance rubs** PN\_EN ISO 12947 - 2:2 100,000

**Pilling resistance** scale 1-8, max. 8, PN-EN ISO 105 - B02 (3-4)

**Colour fastness to light** scale 1-5, max. 5, PN-EN 1021 - 2,

**Colour fastness to rubbing** PN-EN 1021 - 1  
skcale 1-5, max. 5, EN ISO 105x12 (wet/dry) 4-5

### Seat, back - Fabric Runner - second price group



**Technical data:**

**Material** 80% polyester, 20% post-consumer recycled polyester

**Fabric weight** 510 g/lm (16.45 oz./lin.yd.)

**Abrasion resistance rubs** BS EN ISO 12947-2  
70,000 Martindale cycles

**Pilling resistance** scale 1-5, max 5, EN ISO 12945-2 (4-5)

**Colour fastness to light** scale 1-8, max 8, EN ISO 105-B02 (5-7)

**Colour fastness to rubbing** scale 1-5, max 5, EN ISO 105x12 (wet/dry) 4-5

**Acoustic test sound absorption** ISO 354

**Flammability** BS EN 1021-2 Match,  
CA TB 117-2013, BS EN 1021-1 (cigarette) Class Uno UNI 9175 Class 2, EMME

### Seat - Fabric Medley - second price group



**Technical data:**

**Material** polyester 100%

**Fabric weight** 510 g/lm (16.45 oz./lin.yd.)

**Abrasion resistance rubs** BS EN ISO 12947-2, 75,000 cykli Martindale

**Pilling resistance** scale 1-5, max. 5, EN ISO 12945-2 (4)

**Colour fastness to light** scale 1-8, max. 8, EN ISO 105-B02 (5-7)

**Colour fastness to rubbing** scale 1-5, max. 5, EN ISO 105x12 (wet/dry) (4-5/4-5)

**Acoustic test sound absorption** ISO 354

**Flammability** BS EN 1021-1 (cigarette)  
BS 476 Part 7, Class 2  
Class Uno UNI 9174 - UNI 8457  
CA TB 117-2013  
ASTM E 84 Class I

### Seat - Fabric Atlantic \* - second price group



**Technical data:**

**Material** polyester 100%

**Fabric weight** 530 g/lm (17.09 oz/lin.yd.)

**Abrasion resistance rubs** BS EN ISO 12947-2, 110,000 Martindale cycles

**Pilling resistance** scale 1-5, max. 5, EN ISO 12945-2 (4-5)

**Colour fastness to light** scale 1-8, max. 8, EN ISO 105-B02 (5-7)

**Colour fastness to rubbing** scale 1-5, max. 5, EN ISO 105x12 (wet/dry)

**Flammability** CA TB 117-2013  
ASTM E 84 Class I  
BS EN 1021-2 (match)  
BS EN 1021-1 (cigarette)

### Seat - Fabric Vita - second price group



**Technical data:**

**Material** Surface: 98,5% PVC, 1,5% PU  
Substrate: 50% poliester, 50% Cotton

**Fabric weight** 850g/m2 ± 10% (1190G/lin. m ± 10%)

**Abrasion resistance rubs** BS EN ISO 5470-2, 100,000 Martindale cycles

**Colour fastness to light** 6 (ISO 105 - B02)

**Colour fastness to rubbing** wet: 4, dry: 4 (ISO 105 - X12)

**Flammability** BS EN 1021 - (cigarette)  
BS EN 1021 - 2 (match)  
BS 5852 - (Ignition Source 5)  
BS 7176 - (Medium Hazard)

**Flexes** BS EN ISO 7854 - Method B, 400.000 Flexing cycles

**Anti-microbial / Anti-fungal** AATCC 147

### Seat - Fabric River - second price group



**Technical data:**

**Material** polyester 100%

**Fabric weight** 300g/m2 (+/- 5%)

**Abrasion resistance rubs** 100,000 Martindale cycles (EN ISO 12947-1,2)

**Pilling resistance** EN ISO 12945-2 (5)

**Colour fastness to light** 4 (EN ISO 105-B02)

**Colour fastness to rubbing** dry: 4-5, wet: 3 (EN ISO 105-x12)

**Flammability** BS 5852: Part 1, Ignition Source 0 (cigarette)  
BS 5852: Part 1, Ignition Source 1 (match)  
En1021 - 2

\* There is a possibility of ordering the product in full colour spectrum of Atlantic range, as per Gabriel's pattern book, within 8 weeks

Seat - Fabric Xtreme - third price group



XR160 Aquamarine  
 XR430 Dark turquoise  
 XR026 Navy blue  
 XR084 Violet  
 XR009 Black  
 XR420 Olive  
 XR081 Dark grey  
 XR094 Grey  
 XR108 Beige  
 XR079 Red  
 YS071 Light brown

Technical data:

**Material** 100% Trevira Clame (CS)  
 100% Recycling (YS)  
 Flame Retardant polyester.  
 Non metallic dyestuffs.

**Fabric weight** 310 g/m2 ±5% (435g/lin.m ±5%)

**Abrasion resistance rubs** 60,000 Martindale cycles (CS)  
 100,000 Martindale cycles (YS)

**Colour fastness to light** 6 (ISO 105 - B02)

**Colour fastness to rubbing** wet: 4, dry: 4 (ISO 105 - X12)

**Flammability** EN 1021 - 1 (cigarette),  
 EN 1021 - 2 (match)  
 BS 7176 Low Hazard,  
 NF P92-507 M1, DIN 4102 B1,  
 UNI 9175 Class 1 IM, UNI 8456,  
 UNI 9174 & UNI 9177 Classe Uno,  
 ÖNORM B 3825 & A 3800-1  
 NF D 60-013

Seat - Fabric Synergy - third price group



LDS08 Grey melange  
 LDS20 Light grey  
 LDS27 Black  
 LDS29 Dark grey  
 LDS50 Dark green  
 LDS53 Green  
 LDS57 Turquoise  
 LDS60 Bottle green  
 LDS61 Plum  
 LDS69 Navy blue  
 LDS84 Orange  
 LDS86 Red  
 LDS88 Aubergine  
 LDS85 Coral  
 LDS19 Beige  
 LDS79 Brown  
 LDS44 Yellow

Technical data:

**Material** 95% Virgin Wool, 5% Poliamid

**Fabric weight** 400g/m2 ±5% (560 g/lin.m ±5%)

**Abrasion resistance rubs** Independently certified  
 ≥100,000 Martindale cycles

**Colour fastness to light** 5 (ISO 105 - B02)

**Colour fastness to rubbing** ISO 105 - X12 - wet: 4, dry: 4

**Flammability** EN 1021 - 1 (cigarette),  
 EN 1021 - 2 (match),  
 BS 7176 Low Hazard,  
 UNI 9175 Classe 1 IM,  
 ÖNORM B 3825 & A 3800-1



## Fabric Silvertex – third price group

There is a possibility of ordering the product in full colour spectrum of Silvertex range, as per Spradling’s pattern book, within 15 working days.

<b>Technical data:</b>	
<b>Material</b>	Topcoat: 100% Vinyl Backing: 100% Polyesterr Hi-Loft™
<b>Fabric weight</b>	685 gr/m2
<b>Abrasion resistance</b>	>300,000 cycles Martindale
<b>UV-resistance</b>	>= 7 (1000 hours, blue wool scale)
<b>Cold Crack resistance</b>	-23°C
<b>Flame retardancy</b>	NF P 92-503 / M2 EN 1021, Part 1&2 DIN 4102 B2 ÖNORM B 3825, Gruppe I – Schwerbrennbares Verhalten ÖNORM A 3800, Teil I, Qualmbildungsklasse QI – schwachqualmend IMO Res. MSC.307 (88) (2010 FTP Code) Annex I Part 8 (MED) Marine Equipment Directive in its current valid version UNI 91 75 (1987) / UNI 9175/FAI (1994) Classe I.IM (uno I EMME) UNE 23.727-90 IR /M2 EN 71-2: 2006+AI: 2007 Safety of Toys – Part 2: Flammability ECE R 11 8 (replaces Directive 95/28/EC) FMVSS 302 FAR 25/853
<b>Antimicrobial</b>	Antifungal Protection, Antibacterial Protection, Antimycotic Protection

## Seat – Fabric Atlas – fourth price group



<b>Technical data:</b>	
<b>Material</b>	90% new wool, 10% nylon
<b>Fabric weight</b>	286g/m2, 400g/lm
<b>Abrasion resistance rubs</b>	100,000 cyklí Martindale, EN ISO 12947
<b>Colour fastness to light</b>	ISO 105 B02: 6-7
<b>Colour fastness to rubbing</b>	ISO 105-X12:2001, (wet/dry) 4-5/4-5
<b>Flammability</b>	BS EN 1021-2 Match, BS EN 1021-1 Cigarette, BS 5 5852 Crib 5, BS 5852 ignition source 3, BS 5852 Part 1, NF D 60 013, UNI 9175 1IM, US Cal. Bull. 117-2013

## Seat – Fabric Field2 – fourth price group



<b>Technical data:</b>	
<b>Material</b>	100% Trevira CS
<b>Fabric weight</b>	321g/m2, 450g/lm
<b>Abrasion resistance rubs</b>	100,000 cyklí Martindale, EN ISO 12947
<b>Colour fastness to light</b>	ISO 105 B02: 5-7
<b>Flammability</b>	BS EN 1021-2 Match, BS EN 1021-1 Cigarette, BS 5 5852 Crib 5, DIN 4102 B1 FAR 25.853, UNI 9177 classe 1, US Cal. Bull. 117-2013

---

**Base - 4 legs**



M115 Black  
semi-matt RAL 9005



17 Chrom \*

---

**Base - cantilever**



17 Chrom

---

\* OPTION WITH EXTRA CHARGE