

Ovo technical specification



.mdd

MDD has a leading position among manufacturers of office furniture with many awards that prove quality and continuously increase demand for it's products.

The realities of today`s market require constant quality improvement at all levels of modern organization. This applies in particular to customer service, marketing, quality of products and also to quality of processes within the company.

Partnership relations among employees and with business partners form a base of economic growth and success of the company.

Constant investments in innovative machinery park, optimization of management systems and an expansion of production halls allow to minimize the lead times for the product of the highest quality.

More than twenty years of experience in office furniture industry come with reference from a long list of companies and institutions to show their appreciation for an efficient and comprehensive service.

MDD is highly aware of the environment.

Being located in the forest region with lake by it's side, MDD takes the nature seriously and invests constantly in a modern and energy-efficient solutions to preserve the local life. Company puts emphasis on waste segregation and recycling. MDD has been awarded for the exceptional care and involvement in waste disposal. All materials used are environmentally friendly and enjoy a high 95 % rate of being recycled.



General informations:

Warranty:

MDD products - **5 years.**

Electrical components and fabric - **2 years.**

Certificate - MFC:



Boards density:

12 mm - 690 - 750 kg/m³

18 mm - 650 - 690 kg/m³

28 mm - 610 - 630 kg/m³

36 mm - 610 - 630 kg/m³

Assembly:

product delivered in separate elements

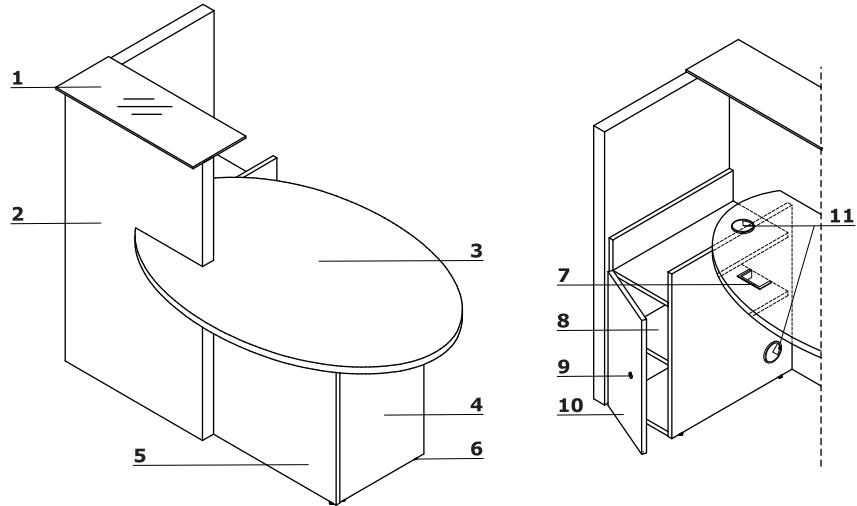
Packing:

cardboard,

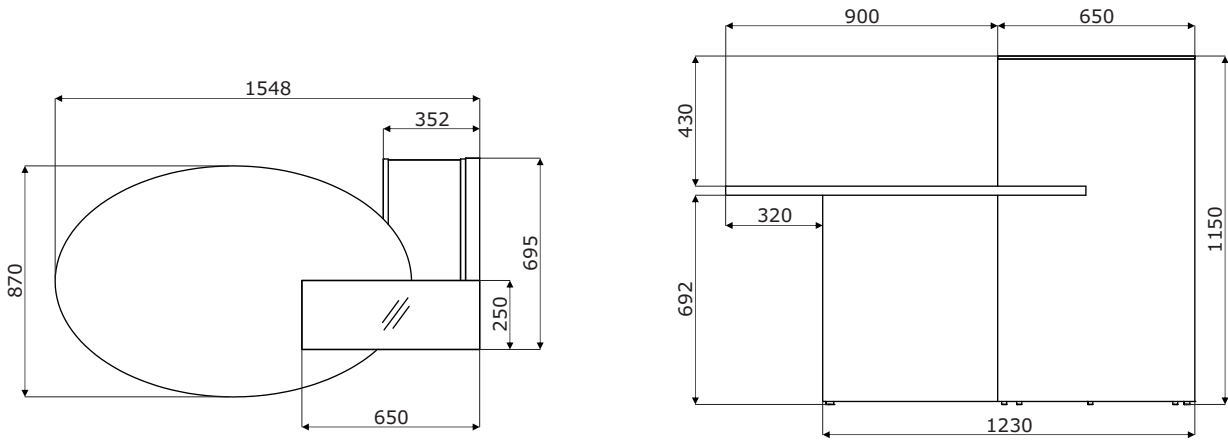
top - wooden crate

Technical specification

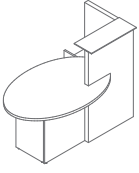
1. **Top** - tempered frosted glass 8 mm
2. **Front** - MFC 52 mm
3. **Worktop** - MFC 28 mm, ABS edge
4. **Body** - MFC 28 mm, ABS edge
5. **Body** - MFC 18 mm, ABS edge
6. **Leveling** - 5 mm range
7. **Rectangular grommet** - 90x48 mm
8. **Dividing storage** - MFC 18 mm, ABS edge
9. **Patent lock**
10. **Front** - MFC 18 mm, ABS edge
11. **Cable grommets** - Ø80 mm



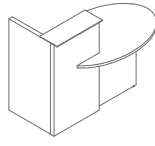
Dimensions



Reception desks *



LOP10
1550 / 870 / 1150
93 kg



LOL10
1550 / 870 / 1150
93 kg

* dimensions expressed in millimeters: width x depth x height

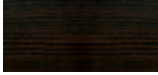
Ovo	Date of preparation 02.01.2020	The data contained in this document is valid in the day of its preparation. Change of the product, as long as it does not affect the basic features of it, does not require consistent updates of the document.	page 5/6
			products

Body



67 White pastel

Front



34 Chestnut



64 Cocoa