

| | | | | | | | | |
|---------------|--|------------|------|----|----|-----|------------------------------|----------------------|
| Symbol | | Dimensions | | | | | kg m3 pcs | Composition elements |
| | | W1 | W2 | D1 | D2 | H | | |
| LUV10 | | 1026 | 1034 | | | 755 | 50.5 kg 0.168 m3 4 pcs | LUV06L+LUV01+LUV06P |
| LUV101 | | 826 | 1034 | | | 755 | 44.5 kg 0.142 m3 4 pcs | LUV06L+LUV011+LUV06P |

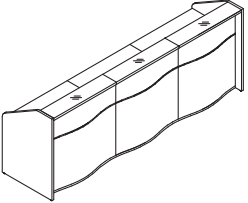
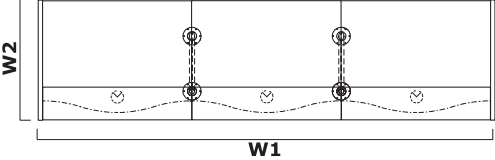
| | | | | | | |
|--------------|--|--|--|--|--|--|
| Extra charge | | | | | | |
| | | | | | | |
| | | | | | | |
| | | | | | | |

| | | | | | | | | |
|--------------|--|------------|-----|----|----|------|----------------------------|----------------------|
| Symbol | | Dimensions | | | | | kg m3 pcs | Composition elements |
| | | W1 | W2 | D1 | D2 | H | | |
| LUV11 | | 806 | 770 | | | 1103 | 59 kg 0.189 m3 4 pcs | LUV05L+LUV02+LUV05P |
| LUV12 | | 1026 | 770 | | | 1103 | 63 kg 0.226 m3 4 pcs | LUV05L+LUV03+LUV05P |

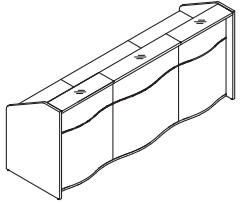
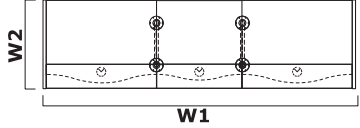
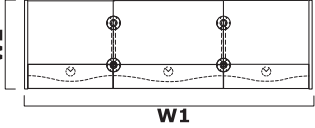
| | | | | | | |
|--------------|--|--|--|--|--|--|
| Extra charge | | | | | | |
| | | | | | | |
| | | | | | | |
| | | | | | | |

| | | | | | | | | |
|--------------|--|------------|-----|----|----|------|----------------------------|----------------------------|
| Symbol | | Dimensions | | | | | kg m3 pcs | Composition elements |
| | | W1 | W2 | D1 | D2 | H | | |
| LUV13 | | 1556 | 770 | | | 1103 | 90 kg 0.38 m3 7 pcs | LUV05L+2xLUV02+LUV05P+NL41 |
| LUV14 | | 1996 | 770 | | | 1103 | 98 kg 0.453 m3 7 pcs | LUV05L+2xLUV03+LUV05P+NL41 |

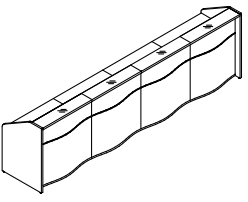
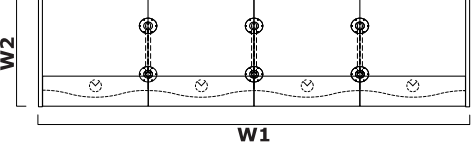
| | | | | | | |
|--------------|--|--|--|--|--|--|
| Extra charge | | | | | | |
| | | | | | | |
| | | | | | | |
| | | | | | | |

|  | |  | | | | | kg m3 pcs | Composition elements |
|--|--|--|-----|----|----|------|------------------------------|------------------------------|
| | | | | | | | | |
| Symbol | | W1 | W2 | D1 | D2 | H | | |
| LUV15 | | 2306 | 770 | | | 1103 | 121 kg 0.57 m3 10 pcs | LUV05L+3xLUV02+LUV05P+2xNL41 |
| LUV16 | | 2966 | 770 | | | 1103 | 133 kg 0.681 m3 10 pcs | LUV05L+3xLUV03+LUV05P+2xNL41 |

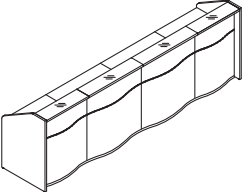
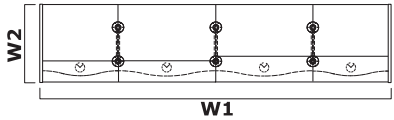
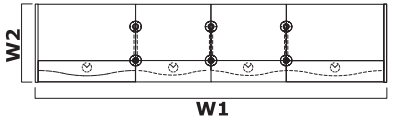
| Extra charge | | | | | | |
|--------------|--|--|--|--|--|--|
| | | | | | | |
| | | | | | | |
| | | | | | | |

|  | |  | | | | |  | | kg m3 pcs | Composition elements |
|---|--|---|-----|----|----|------|---|-------------------------------------|-----------|----------------------|
| | | | | | | | | | | |
| Symbol | | W1 | W2 | D1 | D2 | H | | | | |
| LUV17 | | 2746 | 770 | | | 1103 | 129 kg 0.644 m3 10 pcs | LUV05L+2xLUV02+LUV03 +LUV05P+2xNL41 | | |
| LUV18 | | 2526 | 770 | | | 1103 | 125 kg 0.607 m3 10 pcs | LUV05L+2xLUV03+LUV02+LUV05P+2xNL41 | | |

| Extra charge | | | | | | |
|--------------|--|--|--|--|--|--|
| | | | | | | |
| | | | | | | |
| | | | | | | |

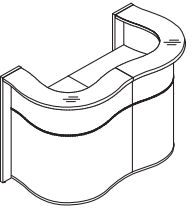
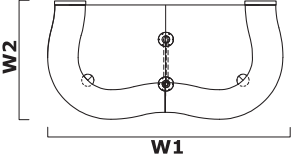
|  | |  | | | | | kg m3 pcs | Composition elements |
|---|--|--|-----|----|----|------|------------------------------|------------------------------|
| | | | | | | | | |
| Symbol | | W1 | W2 | D1 | D2 | H | | |
| LUV19 | | 3496 | 770 | | | 1103 | 152 kg 0.761 m3 13 pcs | LUV05L+4xLUV02+LUV05P+3xNL41 |
| LUV20 | | 3936 | 770 | | | 1103 | 168 kg 0.909 m3 13 pcs | LUV05L+4xLUV03+LUV05P+3xNL41 |

| Extra charge | | | | | | |
|--------------|--|--|--|--|--|--|
| | | | | | | |
| | | | | | | |
| | | | | | | |

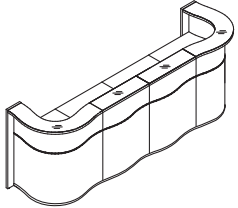
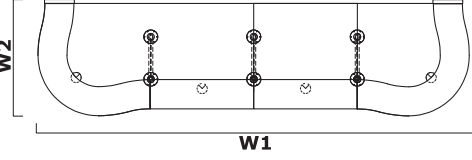
| Symbol | | Dimensions | | | | | kg m3 pcs | Composition elements |
|--------------|--|------------|-----|----|----|------|------------------------------|---------------------------------------|
| | | W1 | W2 | D1 | D2 | H | | |
| LUV21 | | 3496 | 770 | | | 1103 | 160 kg 0.835 m3 13 pcs | LUV05L+2xLUV02+2xLUV03 +LUV05P+3xNL41 |

| Extra charge | | | | | | |
|--------------|--|--|--|--|--|--|
| | | | | | | |
| | | | | | | |

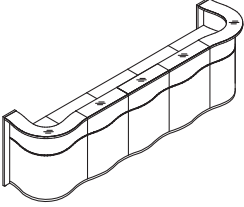
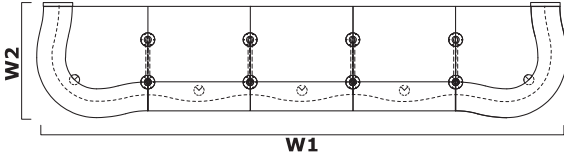
| Symbol | | Dimensions | | | | | kg m3 pcs | Composition elements |
|--------------|--|------------|-----|----|----|------|----------------------------|----------------------------|
| | | W1 | W2 | D1 | D2 | H | | |
| LUV22 | | 1624 | 841 | | | 1103 | 84 kg 0.575 m3 7 pcs | LUV08L+2xLUV04+LUV08P+NL41 |

| Extra charge | | | | | | |
|--------------|--|--|--|--|--|--|
| | | | | | | |
| | | | | | | |

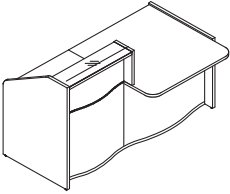
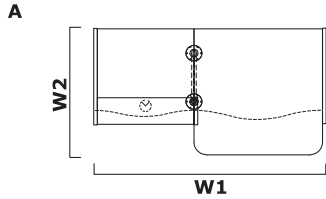
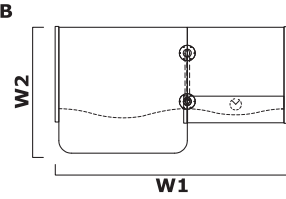
| Symbol | | Dimensions | | | | | kg m3 pcs | Composition elements |
|--------------|--|------------|-----|----|----|------|------------------------------|--------------------------------------|
| | | W1 | W2 | D1 | D2 | H | | |
| LUV23 | | 3124 | 841 | | | 1103 | 146 kg 0.957 m3 13 pcs | LUV08L+2xLUV04+2xLUV02+LUV08P+3xNL41 |
| LUV24 | | 3564 | 841 | | | 1103 | 154 kg 1.031 m3 13 pcs | LUV08L+2xLUV04+2xLUV03+LUV08P+3xNL41 |

| Extra charge | | | | | | |
|--------------|--|--|--|--|--|--|
| | | | | | | |
| | | | | | | |

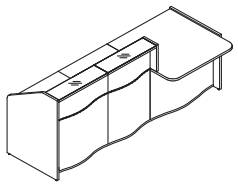
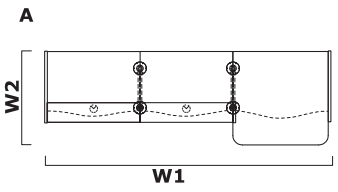
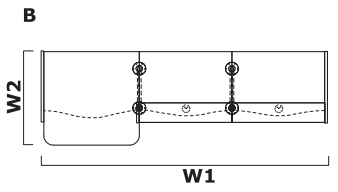
| Symbol | | Dimensions | | | | | kg m3 pcs | Composition elements |
|--------------|--|------------|-----|----|----|------|------------------------------|--------------------------------------|
| | | W1 | W2 | D1 | D2 | H | | |
| LUV25 | | 3874 | 841 | | | 1103 | 177 kg 1.148 m3 16 pcs | LUV08L+2xLUV04+3xLUV02+LUV08P+4xNL41 |
| LUV26 | | 4534 | 841 | | | 1103 | 189 kg 1.259 m3 16 pcs | LUV08L+2xLUV04+3xLUV03+LUV08P+4xNL41 |

| Extra charge | | | | | | |
|--------------|--|--|--|--|--|--|
| | | | | | | |
| | | | | | | |
| | | | | | | |

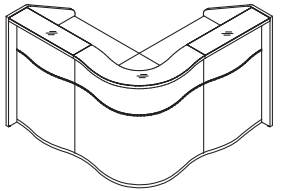
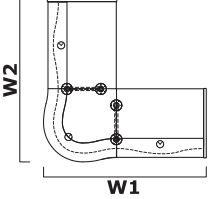
| Symbol | | | Dimensions | | | | | kg m3 pcs | Composition elements |
|----------------|----------------|--|------------|------|----|----|------|------------------------------|--|
| A | B | | W1 | W2 | D1 | D2 | H | | |
| LUV27L | LUV27P | | 1776 | 1034 | | | 1103 | 87.5 kg 0.369 m3 8 pcs | A - LUV06L+LUV01+LUV07L+LUV02 +LUV05P+NL41 B - LUV05L+LUV02+LUV07P+LUV01+LUV06P+NL41 |
| LUV271L | LUV271P | | 1576 | 1034 | | | 1103 | 81.5 kg 0.342 m3 8 pcs | A - LUV06L+LUV011+LUV07L+LUV02+LUV05P+NL41 B - LUV05L+LUV02+LUV07P+LUV011+LUV06P+NL41 |
| LUV28L | LUV28P | | 1996 | 1034 | | | 1103 | 91.5 kg 0.406 m3 8 pcs | A - LUV06L+LUV01+LUV07L+LUV03 +LUV05P+NL41 B - LUV05L+LUV03+LUV07P+LUV01+LUV06P+NL41 |
| LUV281L | LUV281P | | 1776 | 1034 | | | 1103 | 85.5 kg 0.379 m3 8 pcs | A - LUV06L+LUV011+LUV07L+LUV03+LUV05P+NL41 B - LUV05L+LUV03+LUV07P+LUV011+LUV06P+NL41 |

| Extra charge | | | | | | |
|--------------|--|--|--|--|--|--|
| | | | | | | |
| | | | | | | |
| | | | | | | |
| | | | | | | |

| Symbol | | Dimensions | kg | m3 | pcs | Composition elements | | |
|----------------|----------------|------------|------|----|-----|----------------------|--------------------------------|---|
| A | B | | | | | | W1 | W2 |
| LUV29L | LUV29P | 2526 | 1034 | | | 1103 | 118.5 kg 0.56 m3 11 pcs | A - LUV06L+LUV01+LUV07L+2xLUV02+LUV05P+NL41 B - LUV05L+2xLUV02+LUV07P+LUV01+LUV06P+NL41 |
| LUV291L | LUV291P | 2326 | 1034 | | | 1103 | 112.5 kg 0.533 m3 11 pcs | A - LUV06L+LUV011+LUV07L+2xLUV02+LUV05P+NL41 B - LUV05L+2xLUV02+LUV07P +LUV011+LUV06P+NL41 |
| LUV30L | LUV30P | 2966 | 1034 | | | 1103 | 126.5 kg 0.634 m3 11 pcs | A - LUV06L+LUV01+LUV07L+2xLUV03+LUV05P+NL41 B - LUV05L+2xLUV03+LUV07P+LUV01+LUV06P+NL41 |
| LUV301L | LUV301P | 2766 | 1034 | | | 1103 | 120.5 kg 0.607 m3 11 pcs | A - LUV06L+LUV011+LUV07L+2xLUV03+LUV05P+NL41 B - LUV05L+2xLUV03+LUV07P +LUV011+LUV06P+NL41 |

| Extra charge | | | | | | |
|--------------|--|--|--|--|--|--|
| | | | | | | |
| | | | | | | |
| | | | | | | |
| | | | | | | |
| | | | | | | |

| Symbol | | Dimensions | kg | m3 | pcs | Composition elements | | |
|--------------|--|------------|------|----|-----|----------------------|------------------------------|---|
| | | | | | | | W1 | W2 |
| LUV35 | | 1590 | 1590 | | | 1103 | 128 kg 0.689 m3 10 pcs | LUV05L+LUV02+LUV04+LUV02+LUV05P+2xNL41 |
| LUV36 | | 1810 | 1810 | | | 1103 | 136 kg 0.763 m3 10 pcs | LUV05L+LUV03+LUV04+LUV03 +LUV05P+2xNL41 |

| Extra charge | | | | | | |
|--------------|--|--|--|--|--|--|
| | | | | | | |
| | | | | | | |
| | | | | | | |
| | | | | | | |
| | | | | | | |

| | | | | | | | | |
|--------------|--|------------|------|----|----|------|------------------------------|---|
| Symbol | | Dimensions | | | | | kg m3 pcs | Composition elements |
| | | W1 | W2 | D1 | D2 | H | | |
| LUV37 | | 1810 | 1590 | | | 1103 | 132 kg 0.726 m3 10 pcs | LUV05L+LUV03+LUV04+LUV02 +LUV05P+2xNL41 |

| | | | | | | |
|--------------|--|--|--|--|--|--|
| Extra charge | | | | | | |
| | | | | | | |
| | | | | | | |

| | | | | | | | | |
|---------------|--|------------|------|----|----|------|--------------------------------|--|
| Symbol | | Dimensions | | | | | kg m3 pcs | Composition elements |
| | | W1 | W2 | D1 | D2 | H | | |
| LUV31 | | 3276 | 1034 | | | 1103 | 155.5 kg 0.76 m3 15 pcs | LUV05L+2xLUV02+LUV07P+LUV01+LUV07L+LUV02+LUV05P+3xNL41 |
| LUV311 | | 3076 | 1034 | | | 1103 | 149.5 kg 0.734 m3 15 pcs | LUV05L+2xLUV02+LUV07P +LUV011+LUV07L+LUV02+LUV05P+3xNL41 |
| LUV32 | | 3936 | 1034 | | | 1103 | 167.5 kg 0.871 m3 15 pcs | LUV05L+2xLUV03+LUV07P+LUV01+LUV07L+LUV03+LUV05P+3xNL41 |
| LUV321 | | 3736 | 1034 | | | 1103 | 161.5 kg 0.845 m3 15 pcs | LUV05L+2xLUV03+LUV07P +LUV011+LUV07L+LUV03+LUV05P+3xNL41 |

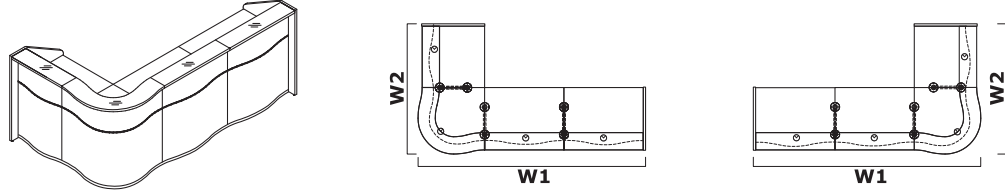
| | | | | | | |
|--------------|--|--|--|--|--|--|
| Extra charge | | | | | | |
| | | | | | | |
| | | | | | | |
| | | | | | | |
| | | | | | | |

| Symbol | | Dimensions | | | | | kg m3 pcs | Composition elements |
|--------------|--|------------|------|----|----|------|------------------------------|--|
| | | W1 | W2 | D1 | D2 | H | | |
| LUV41 | | 2340 | 1590 | | | 1103 | 159 kg 0.879 m3 13 pcs | LUV05L+2xLUV02+LUV04+LUV02+LUV05P+3xNL41 |
| LUV42 | | 2780 | 1810 | | | 1103 | 171 kg 0.99 m3 13 pcs | LUV05L+2xLUV03+LUV04+LUV03+LUV05P+3xNL41 |

| Extra charge | | | | | |
|--------------|--|--|--|--|--|
| | | | | | |
| | | | | | |
| | | | | | |

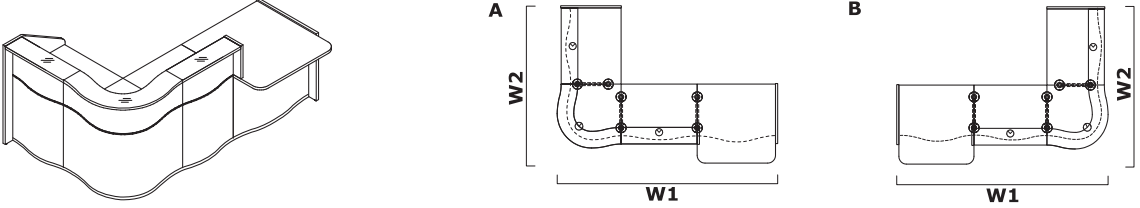
| Symbol | | Dimensions | | | | | kg m3 pcs | Composition elements |
|---------------|--|------------|------|----|----|------|--------------------------------|---|
| | | W1 | W2 | D1 | D2 | H | | |
| LUV33 | | 3496 | 1034 | | | 1103 | 159.5 kg 0.797 m3 15 pcs | LUV05L+LUV03+LUV07P+LUV01+LUV07L+2xLUV02+LUV05P+3xNL41 |
| LUV331 | | 3296 | 1034 | | | 1103 | 153.5 kg 0.771 m3 15 pcs | LUV05L+LUV03+LUV07P+LUV011+LUV07L+2xLUV02+LUV05P+3xNL41 |
| LUV34 | | 3716 | 1034 | | | 1103 | 163.5 kg 0.834 m3 15 pcs | LUV05L+LUV02+LUV07P+LUV01+LUV07L+2xLUV03+LUV05P+3xNL41 |
| LUV341 | | 3516 | 1034 | | | 1103 | 157.5 kg 0.808 m3 15 pcs | LUV05L+LUV02+LUV07P+LUV011+LUV07L+2xLUV03+LUV05P+3xNL41 |

| Extra charge | | | | | |
|--------------|--|--|--|--|--|
| | | | | | |
| | | | | | |
| | | | | | |
| | | | | | |



| Symbol | | Dimensions | | | | | kg m3 pcs | Composition elements |
|--------------|--|------------|------|----|----|------|------------------------------|--|
| | | W1 | W2 | D1 | D2 | H | | |
| LUV43 | | 2780 | 1591 | | | 1103 | 167 kg 0.953 m3 13 pcs | LUV05L+2xLUV03+LUV04+LUV02+LUV05P+3xNL41 |
| LUV44 | | 2343 | 1813 | | | 1103 | 163 kg 0.916 m3 13 pcs | LUV05L+2xLUV02+LUV04+LUV03+LUV05P+3xNL41 |

| Extra charge | | | | | |
|--------------|--|--|--|--|--|
| | | | | | |
| | | | | | |
| | | | | | |



| Symbol | | Dimensions | | | | | kg m3 pcs | Composition elements |
|----------------|----------------|------------|------|----|----|------|--------------------------------|--|
| | | W1 | W2 | D1 | D2 | H | | |
| LUV38L | LUV38P | 2560 | 1605 | | | 1103 | 156.5 kg 0.869 m3 14 pcs | A - LUV06L+LUV01+LUV07L +LUV02+LUV04+LUV02+LUV05P+3xNL41 B - LUV05L+LUV02+LUV04+LUV02 +LUV07P+LUV01+LUV06P+3xNL41 |
| LUV381L | LUV381P | 2360 | 1605 | | | 1103 | 150.5 kg 0.842 m3 14 pcs | A - LUV06L+LUV011+LUV07L+LUV02+LUV04+LUV02+LUV05P+3xNL41 B - LUV05L+LUV02+LUV04+LUV02 +LUV07P+LUV011+LUV06P +3xNL41 |
| LUV39L | LUV39P | 2780 | 1825 | | | 1103 | 164.5 kg 0.943 m3 14 pcs | A - LUV06L+LUV01+LUV07L+LUV03 +LUV04+LUV03+LUV05P+3xNL41 B - LUV05L+LUV03+LUV04+LUV03 +LUV07P+LUV01+LUV06P+3xNL41 |
| LUV391L | LUV391P | 2580 | 1825 | | | 1103 | 158.5 kg 0.916 m3 14 pcs | A - LUV06L+LUV011+LUV07L+LUV03+LUV04+LUV03+LUV05P+3xNL41 B - LUV05L+LUV03+LUV04+LUV03 +LUV07P+LUV011+LUV06P +3xNL41 |

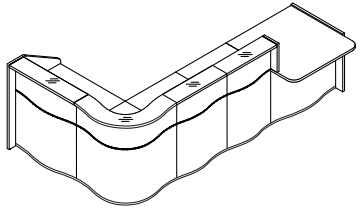
| Extra charge | | | | | |
|--------------|--|--|--|--|--|
| | | | | | |
| | | | | | |
| | | | | | |
| | | | | | |

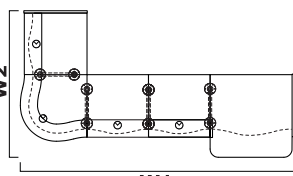
| Symbol | | Dimensions | | | | | kg m3 pcs | Composition elements |
|---------------|---------------|------------|-----|----|----|------|----------------------------|----------------------|
| A | B | W1 | W2 | D1 | D2 | H | | |
| LUV49L | LUV49P | 858 | 925 | | | 1103 | 39 kg 0.231 m3 2 pcs | A - B - |

| Extra charge | | | | | | |
|--------------|--|--|--|--|--|--|
| | | | | | | |
| | | | | | | |

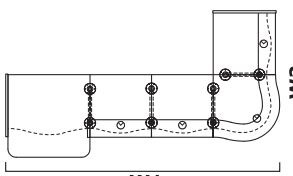
| Symbol | | Dimensions | | | | | kg m3 pcs | Composition elements |
|----------------|----------------|------------|------|----|----|------|--------------------------------|--|
| A | B | W1 | W2 | D1 | D2 | H | | |
| LUV40L | LUV40P | 2780 | 1807 | | | 1103 | 160.5 kg 0.906 m3 14 pcs | A - LUV06L+LUV01+LUV07L+LUV03 +LUV04+LUV02+LUV05P+3xNL41 B - LUV05L+LUV02+LUV04+LUV03 +LUV07P+LUV01+LUV06P+3xNL41 |
| LUV401L | LUV401P | 2580 | 1807 | | | 1103 | 154.5 kg 0.879 m3 14 pcs | A - LUV06L+LUV011+LUV07L+LUV03+LUV04+LUV02+LUV05P+3xNL41 B - LUV05L+LUV02+LUV04+LUV03 +LUV07P+LUV011+LUV06P +3xNL41 |

| Extra charge | | | | | | |
|--------------|--|--|--|--|--|--|
| | | | | | | |
| | | | | | | |





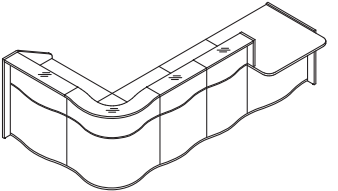
A

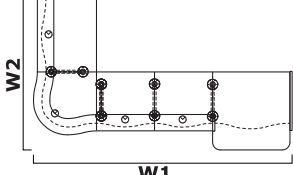


B

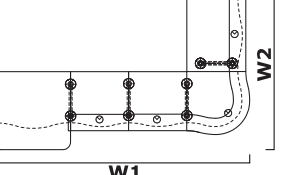
| Symbol | | Dimensions | kg m3 pcs | Composition elements | | |
|----------------|----------------|------------|--------------------------------|--|----|----|
| A | B | | | | W1 | W2 |
| LUV45L | LUV45P | 3310 1807 | 187.5 kg 1.06 m3 17 pcs | A - LUV06L+LUV01+LUV07L+2xLUV02+LUV04+LUV02+LUV05P+4xNL41 B - LUV05L+LUV02+LUV04+2xLUV02+LUV07P+LUV01+LUV06P+4xNL41 | | |
| LUV451L | LUV451P | 3110 1807 | 181.5 kg 1.033 m3 17 pcs | A - LUV06L+LUV011+LUV07L+2xLUV02+LUV04+LUV02+LUV05P+4xNL41 B - LUV05L+LUV02+LUV04+2xLUV02+LUV07P+LUV011+LUV06P+4xNL41 | | |
| LUV46L | LUV46P | 3750 1825 | 199.5 kg 1.171 m3 17 pcs | A - LUV06L+LUV01+LUV07L+2xLUV03+LUV04+LUV03+LUV05P+4xNL41 B - LUV05L+LUV03+LUV04+2xLUV03+LUV07P+LUV01+LUV06P+4xNL41 | | |
| LUV461L | LUV461P | 3550 1825 | 193.5 kg 1.144 m3 17 pcs | A - LUV06L+LUV011+LUV07L+2xLUV03+LUV04+LUV03+LUV05P+4xNL41 B - LUV05L+LUV03+LUV04+2xLUV03+LUV07P+LUV011+LUV06P+4xNL41 | | |

| Extra charge | | | | | |
|--------------|--|--|--|--|--|
| | | | | | |
| | | | | | |
| | | | | | |
| | | | | | |
| | | | | | |





A



B

| Symbol | | Dimensions | kg m3 pcs | Composition elements | | |
|----------------|----------------|------------|--------------------------------|--|----|----|
| A | B | | | | W1 | W2 |
| LUV47L | LUV47P | 3310 1825 | 195.5 kg 1.134 m3 17 pcs | A - LUV06L+LUV01+LUV07L+2xLUV02+LUV04+LUV03+LUV05P+4xNL41 B - LUV05L+LUV03+LUV04+2xLUV02+LUV07P+LUV01+LUV06P+4xNL41 | | |
| LUV471L | LUV471P | 3110 1825 | 189.5 kg 1.107 m3 17 pcs | A - LUV06L+LUV011+LUV07L+2xLUV02+LUV04+LUV03+LUV05P+4xNL41 B - LUV05L+LUV03+LUV04+2xLUV02+LUV07P+LUV011+LUV06P+4xNL41 | | |
| LUV48L | LUV48P | 3750 1807 | 191.5 kg 1.097 m3 17 pcs | A - LUV06L+LUV01+LUV07L+2xLUV03+LUV04+LUV02+LUV05P+4xNL41 B - LUV05L+LUV02+LUV04+2xLUV03+LUV07P+LUV01+LUV06P+4xNL41 | | |
| LUV481L | LUV481P | 3550 1807 | 185.5 kg 1.07 m3 17 pcs | A - LUV06L+LUV011+LUV07L+2xLUV03+LUV04+LUV02+LUV05P+4xNL41 B - LUV05L+LUV02+LUV04+2xLUV03+LUV07P+LUV011+LUV06P+4xNL41 | | |

| Extra charge | | | | | |
|--------------|--|--|--|--|--|
| | | | | | |
| | | | | | |
| | | | | | |
| | | | | | |
| | | | | | |

