

MEDINOX

Wall to wall 90° angled bar stainless steel AISI 304



BTD090CS
Satin finish



BTI090CS
Satin finish

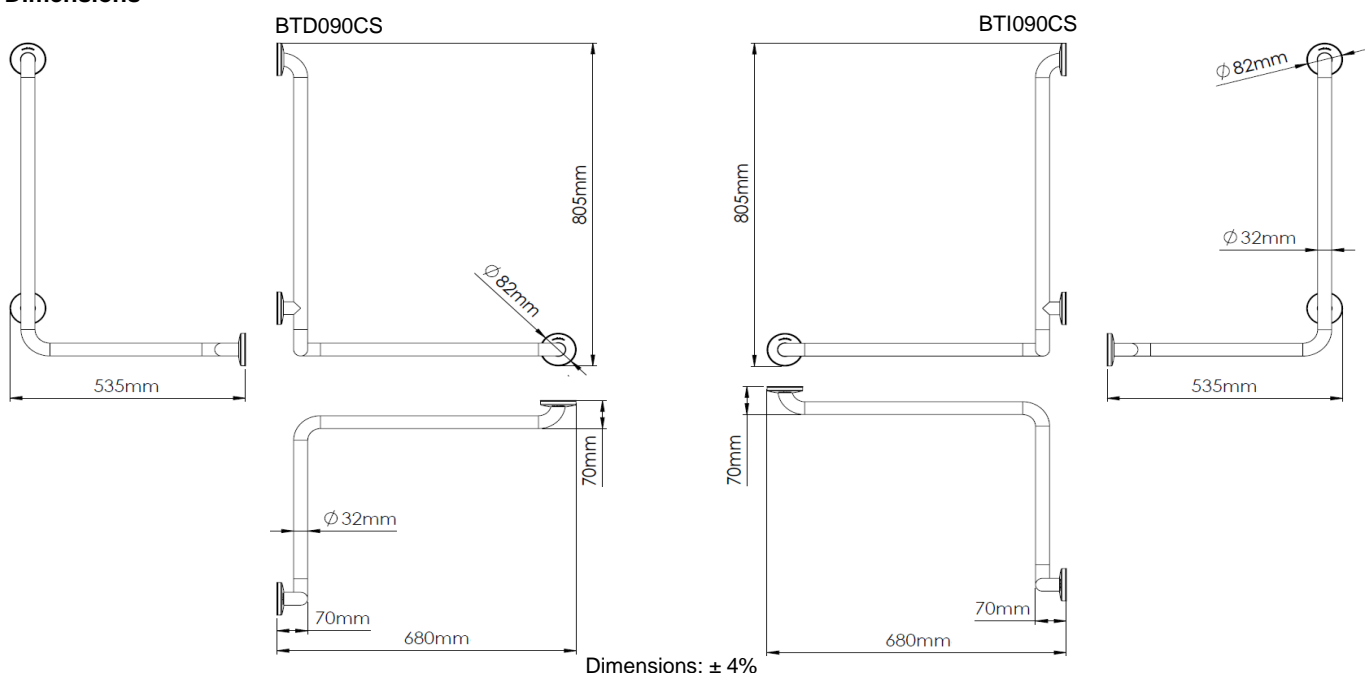
General description

- Wall to wall 90°-angled bar, right-hand (BTD090CS) or left-hand (BTI090CS), with three anchoring points and snap flange covers, made of stainless steel, for toilets, showers and changing rooms.
- Perfect to get bathrooms and public places without accessibility architectural barriers, being very suitable for people with reduced mobility or the elderly.
- Thanks to its construction with stainless steel AISI 304, this bar has a great durability and resistance to rust, making it very suitable for collectivities.
- The wall fixing screws are concealed thanks to the three snap flange covers that hide them, thus highlighting the beauty of the product once installed on the wall.
- The bar has an electric isolation kit code KA0020 to isolate it electrically once installed on the wall (**this kit is optional and it is not delivered with the grab bar**)
- Screws and plastic plugs to install the grab bar in a brick wall are included.

Components and materials

- **BTD090CS:** fixed grab bar with three anchoring points to the wall, right-hand position, made with AISI 304 stainless steel tube with a diameter of 32 mm, satin finish.
- **BTI090CS:** fixed grab bar with three anchoring points to the wall, left-hand position, made with AISI 304 stainless steel tube with a diameter of 32 mm, satin finish.
- **TUBING:** made of a 32 mm diameter tube, seamless construction. The bending process guarantees the uniformity of the diameter along the bends.
- **CONCEALED MOUNTING FLANGE:** three units made of AISI 304 stainless steel, 3 mm thick. Incorporate two Ø 6.5 mm screw holes for wall mounting.
- **SNAP FLANGE COVER:** three units made of AISI 304 stainless steel, 0.8 mm thick and Ø 82 mm. Each cover snaps over mounting flange to conceal mounting screws.

Dimensions

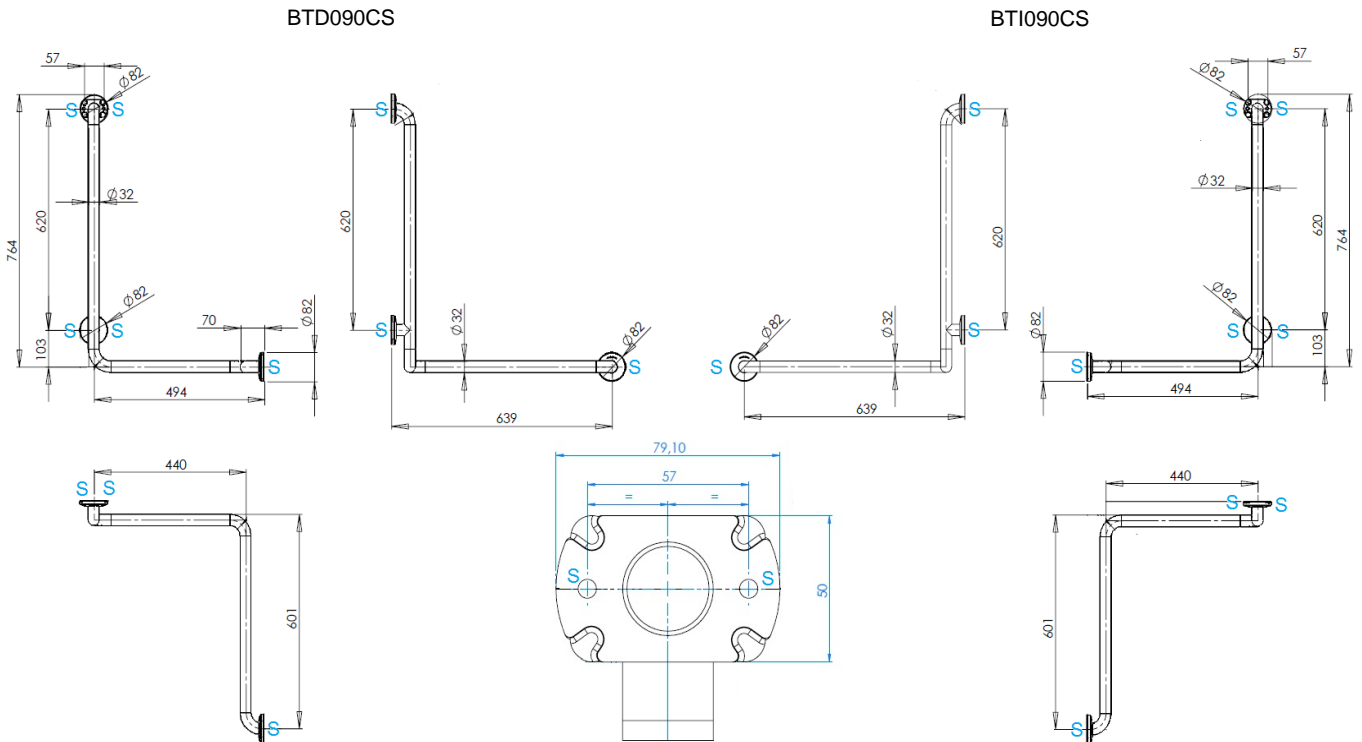


Technical specifications

Dimensions	535 x 680 x 805 mm
Tubing diameter	Ø 32mm
Wall plate thickness	3 mm
Snap flange cover diameter	Ø 82 mm
Snap flange cover thickness	0.8 mm

MOUNTING TEMPLATE

Fix the support bar to both walls through the holes of the wall and floor plates, using stainless steel screws and taking into account the distances of the points indicated by an "S" in the next figure:



It is recommended to set up the horizontal part of the bar between 700 and 750 mm height, with respect to the ground.

Mediclinics, S.A., reserves the right to make changes and/or modifications to the products and their specifications without prior notice
 Review 03-19 © mediclinics S.A.

