



FA0100CS
Satin finish

General description

- Non-refrigerated floor standing mounted water fountain with connection to the drinking water mains, made of stainless steel AISI 304, 1 mm thick, satin finish.
- Ideal solution for public indoor and outdoor spaces such as waiting rooms, schools, universities, shopping centers, airports, sport facilities, factories, etc. Model suitable for public use with high strength and durability.
- The body consists of 2 concentric enclosures, separated and reinforced internally with an expanded polyurethane injection which gives greater rigidity, avoids denting due to external impacts and prevents water heating.
- Easily connected to the water mains, it provides a constant supply of water at room temperature.
- Designed to offer maximum hygiene and easy maintenance, this water drinking fountain feature softly rounded corners and a contoured bowl designed to minimize splashing.
- Equipped with a heavy-duty chrome plated brass faucet bubbler.
- It is fixed to the floor by means of 6 stainless steel screws (not supplied).

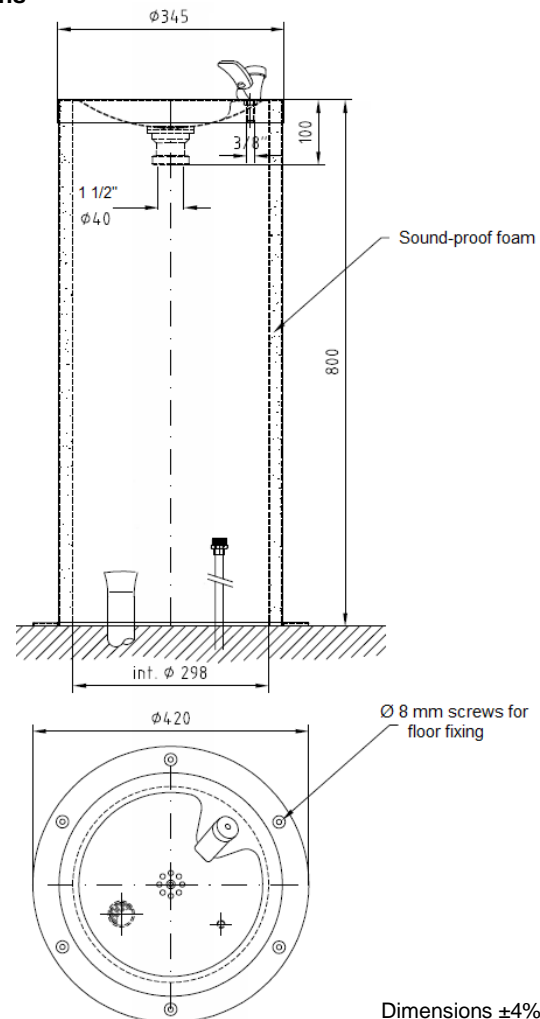
Components & Materials

- **BODY:** manufactured in stainless steel AISI 304, 1.5 mm thick, satin finish. It consists of 2 concentric enclosures, separated and reinforced internally with an expanded polyurethane injection which gives greater rigidity, avoids denting due to external impacts and prevents water heating.
- **BOWL:** made of stainless steel, 1.5 mm thick. It is fixed to the main body by means of stainless steel screws and its contoured form minimizes splashing.
- **FAUCET BUBBLER:** with a manual push button it is made of chrome plated brass.

Technical specifications

Stainless steel thickness	1.5 mm
Water inlet	3/8"
Water outlet	Ø 40 mm (1 1/2")
Net weight	15.5 Kg

Dimensions



OPERATION

Press the faucet bubbler push-button, bring the mouth near to the faucet bubbler and drink water at your convenience.

MOUNTING

According the following figure:

