



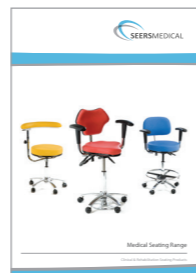
Sterling Couch Range



Therapy Couch Range



Patient Trolley Range



Seating Range



SEERS MEDICAL Ltd
Kenton Road,
Debenham, Suffolk
IP14 6LA, United Kingdom
© Copyright SEERS Medical Ltd 2020

Company Reg. N° 6572698
VAT N° 931596702
Printed in the United Kingdom

Note¹: The illustrated fabric colours may vary slightly from actual fabric supplied. This occurs due to the four colour printing process. However every attempt has been made to make them as accurate as possible. Our Policy of continuous improvement means that we reserve the right to change and modify designs without prior notice. Note²: Measurements may vary +/- 2° or +/- 5mm due to manufacturing tolerances



Tel +44 (0)1728 861 590
Fax +44 (0)1728 861 868

info@seersmedical.com
www.seersmedical.com

Issue N° 016 v2
Part N° 06Z-8005-SF

Clinical Range

Clinical Couches for Patient Examination and Minor Treatment Procedures

Introduction

In this new brochure we cover our wide range of patient examination furniture for various medical procedures such as Gynaecology, Ultrasound, Phlebotomy, Lymphoedema and Podiatry. There is a wide choice of models and accessories to cater for various examination procedures as well as specialist treatment and minor operation techniques. Most models are variable in height with a choice of both manual or electric positioning and height operation. The development of these products has been achieved by applying our many years of experience and knowledge in this market. Much thought has been given to the design, to benefit both the comfort and security of the patients as well as providing manual handling solutions which promote good posture and ergonomics to all clinical staff when they are using this equipment. With the management and control of our own assembly line at our premises in Debenham, Suffolk in the UK, our couches comply to the CE medical devices directive 93/42/EEC, ensuring we supply high quality products every time, with short lead times to meet the tightest of deadlines. We trust you will experience this yourself when you purchase a SEERS Medical product. **SEERS Medical are ISO9001 and ISO14001 accredited.**

Contents

4-5	Medicare 2 Section Couches
6-7	Innovation Standard 2 Section Couch
8-9	Innovation Deluxe 2 Section Couch
10-11	Medicare Mobile Treatment Couches
12-13	Medicare 3 Section Couches
14-15	Innovation Standard 3 Section Couch
16-17	Innovation Deluxe 3 Section Couch
18-19	Innovation Deluxe Daycare Couch
20-21	Innovation Deluxe Dialysis Couch
22-23	Medicare Multi-Couch - Single Footrest
24-25	Medicare Multi-Couch - Dual Footrest
26-27	Medicare Orthopaedic Couches
28-29	Medicare Phlebotomy Couches
30-31	Medicare Echocardiography Couch
32-33	Medicare Ultrasound Couches
34-35	Medicare Gynaecology Couches
36-37	Medicare Deluxe Gynaecology Couches
38-39	Medicare GP Gynaecology Couches
40-41	Shower Trolley
42-43	Medicare Bariatric 2 Section Couches
44-45	Medicare Neurology Couch
46-47	Medicare Bariatric 3 Section Couch
48-49	Medicare Bariatric Drop End Couches
50-51	Optional Accessories
52-53	Chairs, Stools & Vinyl Colour Options



Safe working load
240Kg (550lbs)



Mobile hoist clearance
beneath frame



Anti-bacterial
powder coated frame



Anti-microbial
vinyl upholstery



Crib 5 Fire
retardant upholstery



Low patient
transfer height



Complies with EC
Directive 93/42/EEC

Technical Information

At SEERS Medical we are using state of the art design tools, such as 3D solid modelling and in house rapid prototyping, to assist us in getting new designs into development and manufacture. Whilst designing new products, all manufacturing capabilities available are taken into consideration, such as CNC wood cutting, laser profiling and robot welding, which deliver reliable build quality and repeatability of accurate components, time after time. A typical innovative use of these processes is evident in a high loaded components such as the ram bracket, a common item on many SEERS couches, where using laser profiling we have been able to make the parts interlock, adding immense strength, even before welding! This is typical of the attention to detail that we pride ourselves with, and sets us apart from other couch manufacturers, giving us confidence in the reliability and longevity of the products we manufacture.

Mechanical Safety & Load Testing

All SEERS Medical products have been tested to the applicable EN 60601-1:2006+A12:2014 (E) the General requirements for basic safety and essential performance. Our couches have been thoroughly tested with a two and a half times safe working load (in excess of 600Kg loaded evenly, for in excess of one hour, to prove load support capability without failure. Our products are tested in accordance to Clauses 9.8.3.2-3 Static Forces of EN60601-1:2006 Not only do our products have high safe working loads (typically 240Kg), but our products also lift the rated safe working load from the minimum height to the maximum height smoothly.

Electrical Safety

All SEERS Medical products comply to EN 60601-1:2006+A12:2014 (E) the General requirements for basic safety and essential performance. In addition, the actuation and control systems used on our products are marked with the UL mark, demonstrating compliance to UL60601-1 and CAN/CSA-C22.2 No. 601.1-M90, meeting the requirements for USA and Canada. The actuation control system is also marked with approval to C-ETL-US No. 3154358.

CE Marking & Quality System

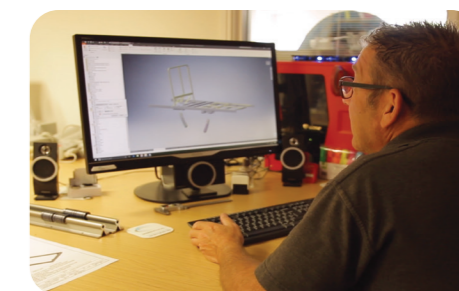
SEERS Medical operates a Quality Management System in accredited and approved to ISO 9001:2008. SEERS Medical products comply with the Essential Requirements in Annex I of EC Directive 93/42/EC, with all relevant design, production records, risk assessments, product testing and labelling information recorded in the documentation file labelled the "Technical File". All products carry a unique serial number for trace-ability of build date, model number and associated build records.

Flammability

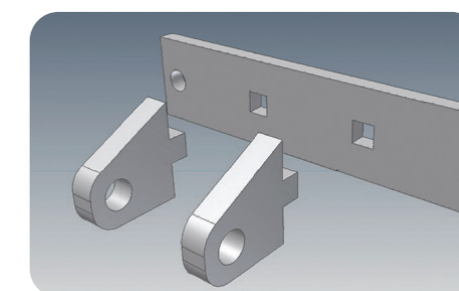
The upholstered couch sections satisfies flammability requirements to the standards of BS 7176:1995 (medium hazard) using ignition sources 0 (cigarette), 1 (gas) as defined in BS EN. 1921-1 and 2 and 5 (crib) BS 5852:1990.

Warranty

The variable height couches detailed in this brochure have a lifetime frame warranty and five years warranty on all other components.



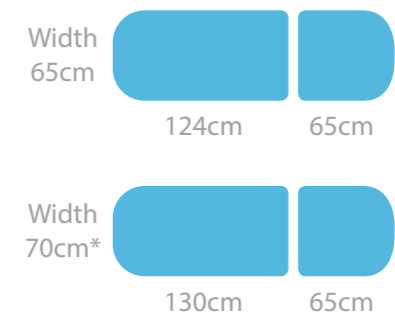
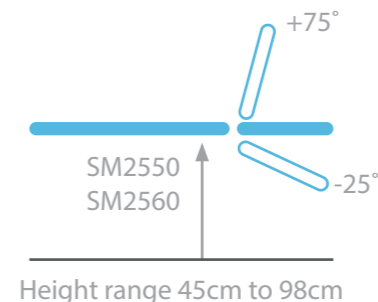
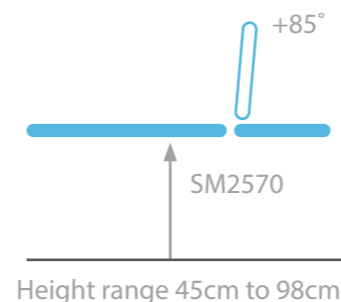
CAD design technology



Interlocking structural components



Laser profiling



Medicare 2 Section Couches



A very strong and rigid couch available with a wide range of accessories. Suitable for supporting very heavy patients for examination and minor treatment procedures.

Models

- SM2550** Hydraulic with manual backrest
- SM2560** Electric with manual backrest
- SM2570** Electric with electric backrest



Model SM2560 with optional foot switch.
Colour light grey

Standard Features

- Safe working load and lifting capacity of 240Kg (528lbs)
- Adjustable backrest from -25° to 75° on Model SM2550 and on Model SM2560
- Adjustable backrest from 0° to 85° on Model SM2570
- The power assisted backrest section incorporates anti-trap design with Models SM2550/2560
- Choice of manual or electric height elevation
- Excellent height range from 45cm to 98cm
- Retractable wheel design and adjustable foot for stability
- Purpose made precision bearings on all pivot points
- Clearance beneath frame for mobile hoist
- Hand switch fitted as standard on electric models
- Frames pre-drilled for addition of accessories
- Anti-bacterial powder coated frame
- Standard width 65cm upholstery
- Choice of upholstery colours, for full range of colour options see page 51

Optional Accessories

- 6053** Protective base frame cover
- 6004** Breathing hole and plug for prone treatments
- 6001** Perimeter foot switch operation
- 6200** Single foot switch operation for Model SM2560
- 6207** Double foot switch operation for Model SM2570
- 6005** Paper roll holder
- 6002** Side support rails (Pair)
- 6002P** Side support rail cushions (Pair)
- 6006** Upper limb support
- 6007** Removable head/knee support
- 6057** Battery back-up facility
- 6054** Telescopic IV pole

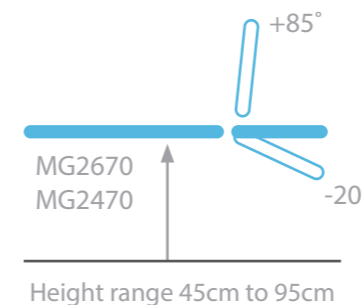
See page 50-51 for additional information on our range of optional accessories



Low patient transfer height



Negative head section to -25°



*When fitted with 9400 Easy Clean Upholstery

Innovation Standard 2 Section



The Innovation Standard 2 section couch features fully electric profiling of height and backrest angle. This couch has the ability to support very heavy patients and is suitable for general examinations and minor treatment procedures. The anti-bacterial base cover is supplied as standard on all Innovation models.

Models

- MG2670** Electric height with electric backrest. Large central locking wheel design with steering facility
- MG2470** Electric height with electric backrest. Large independently braked wheel design



Model MG2470 with independent braked castors. Optional head support cushion and side support rails

Standard Features

- Safe working load and lifting capacity of 250Kg (550lbs)
- Electric height range from 45cm to 95cm
- Electric profiling backrest angle from -20° to +85°
- Designed to provide maximum stability throughout all profiling positions
- Smooth moulded base cover minimises dirt traps and facilitates easy cleaning
- Anti-bacterial powder coated frame and base cover
- Anti-microbial, fire retardant upholstery
- Standard width upholstery of 65cm with 40mm depth medium density foam
- Large Tente® Ø125mm castors
- Option of independent braked wheel design or central locking wheel design with steering facility
- Clearance beneath frame for mobile hoist
- Choice of upholstery colours, for full range of colour options see page 51

Optional Accessories

- 6003** Side support rails (Pair)
- 6003P** Side support rail cushions (Pair)
- 6004** Breathing hole and plug for prone treatments
- 6005** Paper roll holder
- 6006** Upper limb support
- 6007** Removable head/knee support
- 6054** Telescopic IV pole
- 6057** Battery back-up facility

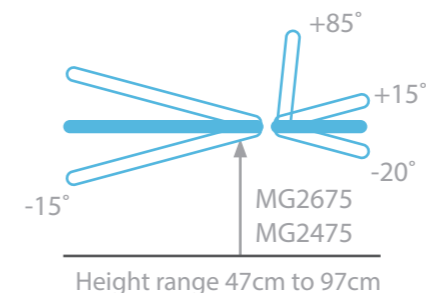
See page 50-51 for additional information on our range of optional accessories



Low patient transfer height



Negative head section to -20°



Innovation Deluxe 2 Section



The Innovation Deluxe 2 section couch is suitable for use within specialist critical care environments, endoscopy, ultrasound scanning and minor treatment procedures. Electric height, backrest and 2-way tilt ensure smooth transition when positioning patients for specialist procedures and treatments. Auto-electric CPR functionality and auto-levelling software return the couch quickly to a fully horizontal resuscitation position in the event of an emergency.

Models

- MG2675** Electric with electric backrest and 2-way tilt. Large central locking wheel design with steering facility
- MG2475** Electric with electric backrest and 2-way tilt. Large independently locking wheel design



Model MG2675 with large central locking wheel design with steering facility

Deluxe Features

- Electric height range from 47cm to 97cm
- Electric trendelenburg tilt to $\pm 15^\circ$
- Electric profiling backrest angle from -20° to $+85^\circ$
- Safe working load and lifting capacity of 250Kg (550lbs)
- Auto-electric CPR function via handset
- Auto-intelligent operation
- Vertical lifting design to minimise space and provide maximum stability throughout all profiling positions
- Smooth moulded base cover minimises dirt traps and facilitates easy cleaning
- Anti-bacterial powder coated frame and base cover
- Large Tente® $\varnothing 125\text{mm}$ castors
- **SEERS ComfortPlus™** Upholstery - features anti-microbial vinyl incorporating pressure relieving design for additional patient comfort with a foam depth of 60mm
- Standard width upholstery of 70cm
- Clearance beneath frame for mobile hoist
- Head support cushion fitted on Deluxe models
- Paper roll holder fitted on Deluxe models
- Choice of upholstery colours, for full range of colour options see page 51

Optional Accessories

- 6003** Side support rails (Pair)
- 6003P** Side support rail cushions (Pair)
- 6004** Breathing hole and plug for prone treatments
- 6006** Upper limb support
- 6054** Telescopic IV pole
- 6057** Battery back-up facility

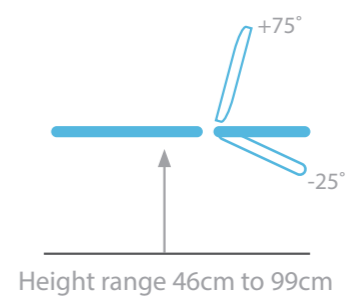
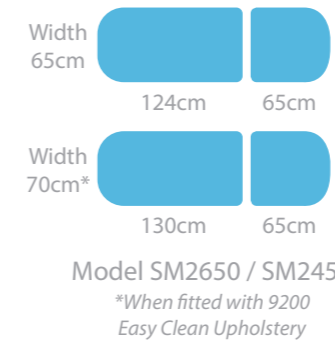
See page 50-51 for additional information on our range of optional accessories



Negative head section to -20°



Trendelenburg tilt to -15°



Medicare Mobile 2 Section



Very strong and rigid 2 section mobile treatment couches supplied with side support rails and a paper roll holder. The large wheel system incorporates a steering facility and the couches have excellent height ranges with a low patient transfer height of just 46cm. For electric mobile treatment couches see Innovation 2 section models, which all feature a base cover as standard, electric profiling and options of 2-way tilt and CPR facility.

Models

- SM2650** Hydraulic 2 section with central locking castors with steering facility
- SM2450** Hydraulic 2 section with independent braked castors



Model SM2650 with optional base cover, side rail cushions, IV pole and head support cushion. Colour sky blue

Standard Features

- Safe working load and lifting capacity of 240Kg (528lbs)
- Adjustable manual backrest from -25° to 75°
- The power assisted backrest section incorporates anti-trap design on all models
- Hydraulic height elevation
- Excellent height range from 46cm to 99cm
- Choice of central locking or independently braked castors
- Standard with side support rails and paper roll holder
- Purpose made precision bearings on all pivot points
- Anti-bacterial powder coated frame
- Clearance beneath frame for mobile hoist
- Standard width 65cm upholstery
- Choice of upholstery colours, for full range of colour options see page 51

Optional Accessories

- 6053** Protective base frame cover
- 6004** Breathing hole and plug for prone treatments
- 6002P** Side support rail cushions (Pair)
- 6006** Upper limb support
- 6007** Removable head/knee support
- 6054** Telescopic IV pole

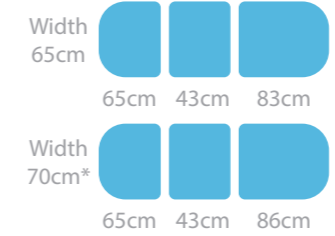
See page 50-51 for additional information on our range of optional accessories



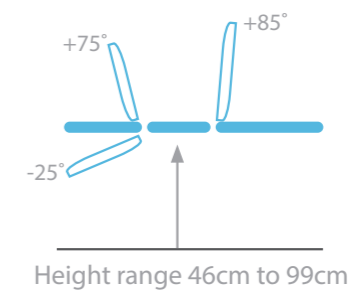
Low patient transfer height



SM2650 in seated position



Model SM3650 / SM3450
*When fitted with 9300
Easy Clean Upholstery



Height range 46cm to 99cm

Medicare Mobile 3 Section



Very strong and rigid 3 section mobile treatment couches supplied with side support rails and a paper roll holder as standard. The Large Mobile Wheel Design incorporates central locking castors & steering facility, and the couches have excellent height ranges with a low patient transfer height.

Models

- SM3650** Hydraulic 3 section with central locking castors with steering facility
- SM3450** Hydraulic 3 section with independent braked castors



Model SM3650.
Colour sky blue

Standard Features

- Safe working load and lifting capacity of 240Kg (528lbs)
- Choice of hydraulic or electric height elevation
- Electric or gas-assisted backrest adjustment from 0° to +85°
- Gas-assisted footrest adjustable from -25° to +75°
- Excellent height range from 46cm to 99cm
- Choice of Individually Braking castors (IBC) or Large Mobile
- Wheel Design with central locking & steering facility (LMWD)
- Standard with side support rails and paper roll holder
- Purpose made precision bearings on all pivot points
- Anti-bacterial powder coated frame
- Clearance beneath frame for mobile hoist
- Standard 65cm width upholstery
- Choice of 15 standard upholstery colours

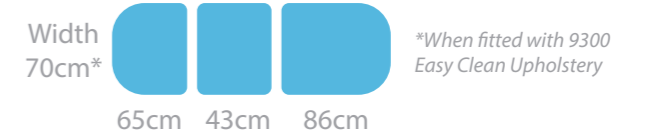
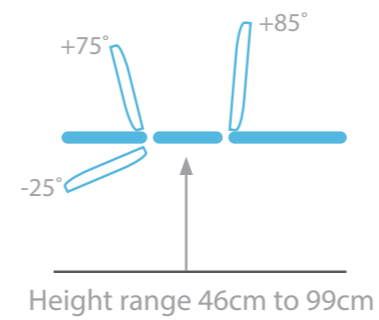
Optional Accessories

- 6052** Protective base cover
- 6004** Breathing hole & plug
- 6003P** Cushions for side support rails (Pair)
- 6007** Removable head/knee support
- 6054** Telescopic IV pole

See page 50-51 for additional information on our range of optional accessories



Low patient transfer height



Medicare 3 Section Couches



The Medicare 3 Section Couch provides a very stable and versatile support surface for prone, supine and seated treatment procedures and examinations. Both the elevating sections can be set to a wide range of angles for specific patient positioning.

Models

- SM3550** Hydraulic with manual backrest
- SM3560** Electric with manual backrest
- SM3570** Electric with electric backrest



Model SM3560 Colour cream

Standard Features

- Safe working load and lifting capacity of 240Kg (528lbs)
- Adjustable backrest from horizontal to +85°
- Adjustable angle head/foot section from -25° to +75°
- The power assisted backrest and foot sections incorporate anti-trap design on Models SM3550/SM3560
- Choice of manual or electric height elevation
- Excellent height range from 45cm to 98cm
- Retractable wheel design and adjustable foot for stability
- Purpose made precision bearings on all pivot points
- Clearance beneath frame for mobile hoist
- Hand switch fitted as standard on electric models
- Frames pre-drilled for addition of accessories
- Anti-bacterial powder coated frame
- Standard width 65cm upholstery
- Choice of upholstery colours, for full range of colour options see page 51

Optional Accessories

- 6053** Protective base frame cover
- 6004** Breathing hole and plug for prone treatments
- 6001** Perimeter foot switch operation
- 6200** Single foot switch operation for Model SM3560
- 6207** Double foot switch operation for Model SM3570
- 6005** Paper roll holder
- 6003** Side support rails (Pair)
- 6003P** Side support rail cushions (Pair)
- 6006** Upper limb support
- 6007** Removable head/knee support
- 6057** Battery back-up facility
- 6054** Telescopic IV pole

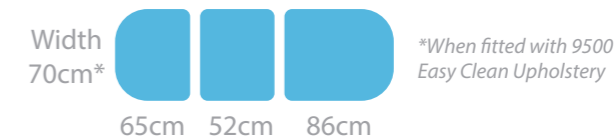
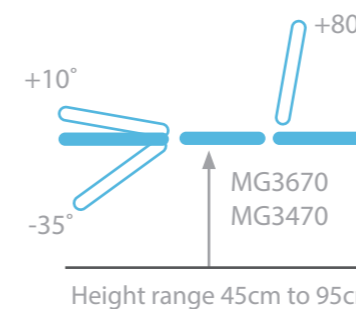
See page 50-51 for additional information on our range of optional accessories



Negative head/ foot section to -25°



Low patient transfer height



Innovation Standard 3 Section



The Innovation Standard 3 section couch is very versatile for a wide range of patient examinations and minor treatment procedures. The couch features simple push button electric profiling of height, backrest and foot section angles to minimise manual handling risks when positioning the patient. The couch is fitted with an anti-bacterial base cover that is easy to clean. There is a choice of wheel system and a wide range of optional accessories.

Models

- MG3670** Electric profiling of height, backrest and foot section. Large central locking wheel design with steering facility
- MG3470** Electric profiling of height, backrest and foot section. Large independently braked wheel design



Model MG3670 with optional head support cushion and large central locking wheel design with steering facility

Standard Features

- Safe working load and lifting capacity of 250Kg (550lbs)
- Electric height range from 45cm to 95cm
- Electric profiling backrest angle from 0° to +80°
- Electric profiling footrest angle from +10° to -35°
- Designed to provide maximum stability throughout all profiling positions
- Smooth moulded base cover minimises dirt traps and facilitates easy cleaning
- Anti-bacterial powder coated frame and base cover
- Standard width upholstery of 65cm with 40mm depth medium density foam
- Large Tente® Ø125mm castors
- Option of independent braked wheel design or central locking wheel design with steering facility
- Clearance beneath frame for mobile hoist
- Choice of upholstery colours, for full range of colour options see page 51

Optional Accessories

- 6003** Side support rails (Pair)
- 6003P** Side support rail cushions (Pair)
- 6004** Breathing hole and plug for prone treatments
- 6005** Paper roll holder
- 6006** Upper limb support
- 6007** Removable head/knee support
- 6054** Telescopic IV pole
- 6057** Battery back-up facility

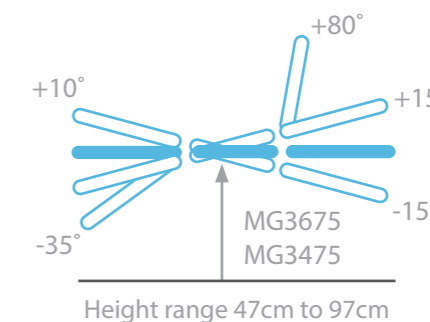
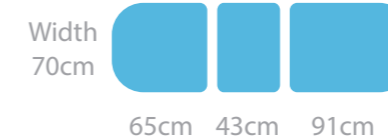
See page 50-51 for additional information on our range of optional accessories



Low patient transfer height



Negative foot section to -35°



Innovation Deluxe 3 Section



The Innovation Deluxe 3 section couch is designed for use within specialist critical care environments. Electric height, backrest and foot section profiling and 2-way tilt ensure a smooth transition when positioning patients for specialist procedures and treatments. Auto-electric CPR functionality and auto levelling software return the couch quickly to a fully horizontal resuscitation position in the event of an emergency.

Models

- MG3675** Electric profiling of height, backrest and foot section with auto-levelling, 2-way tilt and CPR facility. Large central locking wheel design with steering facility
- MG3475** Electric profiling of height, backrest and foot section with auto-levelling, 2-way tilt and CPR facility. Large independently braked wheel design



Model MG3475 with large independently braked wheel design

Deluxe Features

- Electric height range from 47cm to 97cm
- Electric trendelenburg tilt to $-/+15^\circ$
- Electric profiling backrest angle from 0° to $+80^\circ$
- Electric footrest angle from $+10^\circ$ to -35°
- Safe working load and lifting capacity of 250Kg (550lbs)
- Auto-electric CPR function via handset
- Auto-intelligent operation
- Vertical lifting design to minimise space and provide maximum stability throughout all profiling positions
- Smooth moulded base cover minimises dirt traps and facilitates easy cleaning
- Anti-bacterial powder coated frame and base cover
- Large Tente® $\varnothing 125\text{mm}$ castors
- **SEERS ComfortPlus™** Upholstery - features anti-microbial vinyl incorporating pressure relieving design for additional patient comfort with a foam depth of 60mm
- Standard width upholstery of 70cm
- Clearance beneath frame for mobile hoist
- Head support cushion fitted on Deluxe models
- Paper roll holder fitted on Deluxe models
- Choice of upholstery colours, for full range of colour options see page 51

Optional Accessories

- 6003** Side support rails (Pair)
- 6003P** Side support rail cushions (Pair)
- 6004** Breathing hole and plug for prone treatments
- 6006** Upper limb support
- 6054** Telescopic IV pole
- 6057** Battery back-up facility

See page 50-51 for additional information on our range of optional accessories



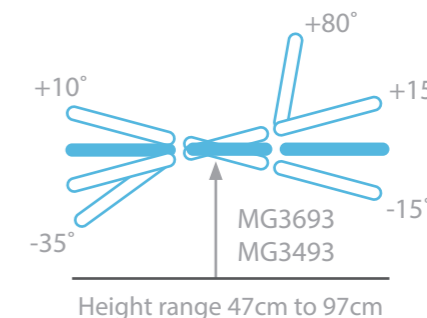
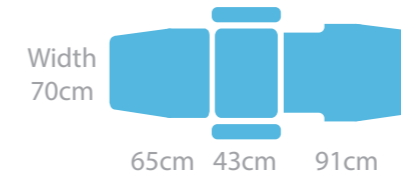
Trendelenburg tilt to -15°



Low patient transfer height



Reverse trendelenburg tilt to $+15^\circ$



Innovation Deluxe Daycare



The Innovation Deluxe Daycare couch is designed for specialist medical procedures, critical care and oncology units. The fully electric functionality provides smooth lifting and patient profiling during patient examination and treatment. The couch features 2-way tilt and auto-electric CPR facility with auto-levelling software.

Models

- MG3693** Electric profiling of height, backrest and foot section with auto-levelling, 2-way tilt and CPR facility. Large central locking wheel design with steering facility
- MG3493** Electric profiling of height, backrest and foot section with auto-levelling, 2-way tilt and CPR facility. Large independently braked wheel design



Model MG3693 with large central locking wheel design with steering facility

Deluxe Features

- Electric height range from 47cm to 97cm
- Electric trendelenburg tilt to $\pm 15^\circ$
- Electric profiling backrest angle from 0° to $+80^\circ$
- Electric footrest angle from $+10^\circ$ to -35°
- Safe working load and lifting capacity of 250Kg (550lbs)
- Auto-electric CPR function via handset
- Auto-intelligent operation
- Vertical lifting design to minimise space and provide maximum stability throughout all profiling positions
- Smooth moulded base cover minimises dirt traps and facilitates easy cleaning
- Anti-bacterial powder coated frame and base cover
- Large Tente® $\varnothing 125\text{mm}$ castors
- **SEERS ComfortPlus™** Upholstery - features anti-microbial vinyl incorporating pressure relieving design for additional patient comfort with a foam depth of 60mm
- Standard width upholstery of 70cm
- Clearance beneath frame for mobile hoist
- Head support cushion fitted on Deluxe models
- Paper roll holder fitted on Deluxe models
- Fold down side support arm rests for patient comfort and security
- Choice of upholstery colours, for full range of colour options see page 51

Optional Accessories

- 6054** Telescopic IV pole
- 6057** Battery back-up facility
- 6241** Patient lap tray
- 6242** Adjustable foot board

See page 50-51 for additional information on our range of optional accessories



Model 6241 optional patient lap tray



Model 6242 optional adjustable foot board

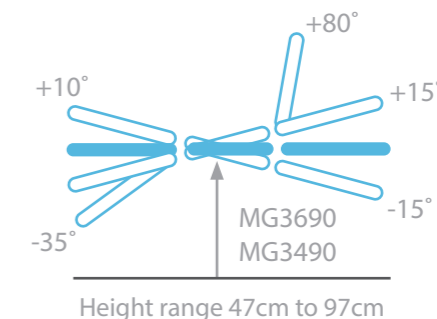
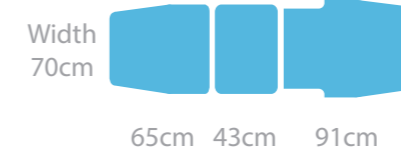


2-way trendelenburg tilt facility to $\pm 15^\circ$



Low patient transfer height





Innovation Deluxe Dialysis



The Innovation Deluxe Dialysis couch has been designed for use within specialist renal dialysis environments. The couch features auto-electric CPR and fully electric profiling with a 2-way tilt facility to ensure a smooth transition when positioning patients for dialysis procedures and treatments.

Models

- MG3690** Electric profiling of height, backrest and foot section with auto-levelling, 2-way tilt and CPR facility. Large central locking wheel design with steering facility
- MG3490** Electric profiling of height, backrest and foot section with auto-levelling, 2-way tilt and CPR facility. Large independently braked wheel design



Model MG3490 with large independently braked wheel design

Deluxe Features

- Electric height range from 47cm to 97cm
- Electric trendelenburg tilt to $\pm 15^\circ$
- Electric profiling backrest angle from 0° to $+80^\circ$
- Electric footrest angle from $+10^\circ$ to -35°
- Safe working load and lifting capacity of 250Kg (550lbs)
- Auto-electric CPR function via handset
- Auto-intelligent operation
- Vertical lifting design to minimise space and provide maximum stability throughout all profiling positions
- Smooth moulded base cover minimises dirt traps and facilitates easy cleaning
- Anti-bacterial powder coated frame and base cover
- Large Tente® $\varnothing 125\text{mm}$ castors
- **SEERS ComfortPlus™** Upholstery - features anti-microbial vinyl incorporating pressure relieving design for additional patient comfort with a foam depth of 60mm
- Standard width upholstery of 70cm
- Clearance beneath frame for mobile hoist
- Head support cushion fitted on Deluxe models
- Paper roll holder fitted on Deluxe models
- Multi-adjustable arm rests for patient comfort
- Adjustable upholstered foot board for patient comfort
- Choice of upholstery colours, for full range of colour options see page 51

Optional Accessories

- 6054** Telescopic IV pole
- 6057** Battery back-up facility
- 6241** Patient lap tray

See page 50-51 for additional information on our range of optional accessories



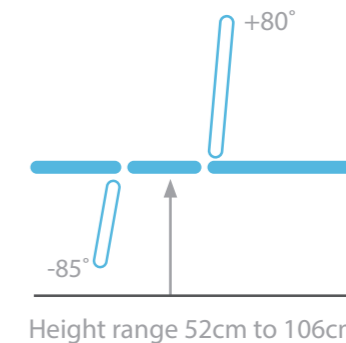
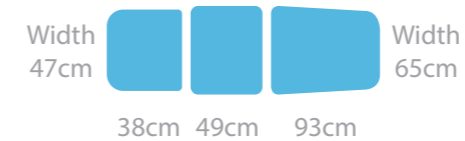
Low patient transfer height



Fully profiled for patient comfort



2-way trendelenburg tilt facility to $\pm 15^\circ$



Medicare Multi-Couch - Single Footrest



Incorporating both an adjustable angle backrest and a single drop end foot section, these models are suitable for a wide range of seated and supine patient examination procedures. The slightly narrow foot section enables the addition of leg supports or stirrups for gynaecological procedures.

Models

- SM9556** Hydraulic with manual backrest
- SM9566** Electric with manual backrest
- SM9576** Electric with electric backrest



Model SM9566 showing foot section at -85°. Colour light grey

Standard Features

- Safe working load and lifting capacity of 240Kg (528lbs)
- Adjustable angle backrest from horizontal to +80°
- Adjustable angle foot section from horizontal to -85°
- The power assisted backrest and foot sections incorporate anti-trap design gas struts
- Choice of manual hydraulic or electric height elevation
- Excellent height range from 50cm to 105cm
- Compact frame design with retractable wheel system
- Adjustable foot for stability on uneven surfaces
- Purpose made precision bearings on all pivot points
- Anti-bacterial powder coated frame
- Clearance beneath frame for mobile hoist
- Hand switch fitted as standard on electric models
- Standard width 65cm upholstery
- Choice of upholstery colours, for full range of colour options see page 51

Optional Accessories

- 6004** Breathing hole and plug for prone treatments
- 6005** Paper roll holder
- 6006** Upper limb support
- 6007** Removable head/knee cushion
- 6052** Protective base frame cover
- 6054** Telescopic IV pole
- 6044** Lithotomy stirrups
- 6045** Leg supports for gynaecology
- 6057** Battery back-up facility
- 6200** Single foot switch operation for Model SM9566
- 6207** Double foot switch operation for Model SM9576

See page 50-51 for additional information on our range of optional accessories



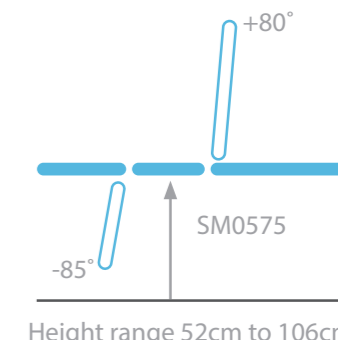
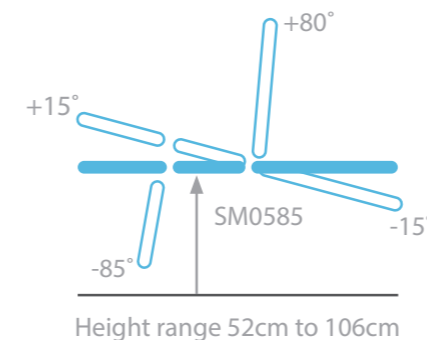
Low patient transfer height



Model 6045 optional leg supports for gynaecology



Model 6044 optional lithotomy stirrups



Medicare Multi-Couch - Dual Footrest



Incorporating both an adjustable angle backrest with patient armrests and dual adjustable footrests, these models are suitable for a wide range of seated examination procedures such as podiatry, leg ulcer clinics, orthopaedic casting (plaster room), as well as being ideal for GP surgeries and health centres.

Models

- SM0575** Electric height and backrest
- SM0585** Electric height, tilt and backrest



Model 6004 optional breathing hole and plug for prone treatments



Matching headrest as standard on Model SM0585. Option on Model SM0575



Model SM0585 with optional base cover. Colour sky blue

Standard Features

- Safe working load and lifting capacity of 240Kg (528lbs)
- Electric adjustable backrest from horizontal to +80°
- Adjustable angle footrests from horizontal to -85° and incorporate anti-trap design gas struts
- The footrests extend for tall patients
- The fold-down armrests have angular adjustment
- Electric height elevation via hand control
- Excellent height range from 52cm to 106cm
- Triple electric Model SM0585 includes paper roll holder and matching headrest as standard
- Electric tilt facility of -15° on Model SM0585
- Compact frame design with retractable wheel system
- Adjustable foot for stability on uneven surfaces
- Purpose made precision bearings on all pivot points
- Anti-bacterial powder coated frame
- Clearance beneath frame for mobile hoist
- Standard width 65cm upholstery
- Choice of upholstery colours, for full range of colour options see page 51

Optional Accessories

- 6052** Protective base frame cover
- 6007** Head support cushion (Included on Model SM0585)
- 6100** Matching operators chair
- 6150** Matching premium operators chair
- 6005** Paper roll holder (Included on Model SM0585)
- 6004** Breathing hole and plug for prone treatments
- 6209** Triple foot switch operation for Model SM0585
- 6207** Double foot switch operation for Model SM0575
- 6057** Battery back-up facility

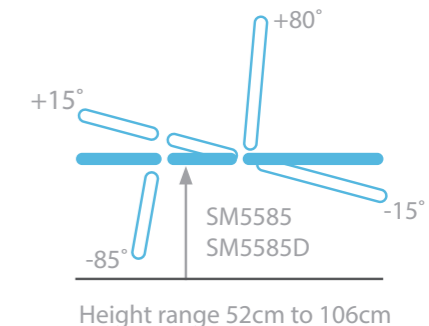
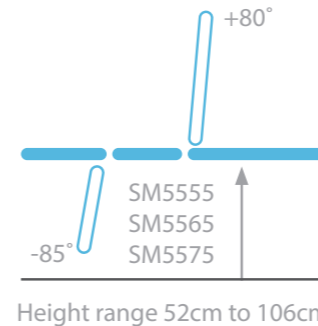
See page 50-51 for additional information on our range of optional accessories



Low patient transfer height



Model 6150 optional matching premium operators chair



Medicare Orthopaedic Couches



Designed specifically for plaster casting technicians, this couch features individually adjustable leg sections and is available with a range of optional accessories to assist and support the technician in carrying out various casting procedures. The Deluxe version is supplied as a package with base shroud, set of accessories and matching stool.

Models

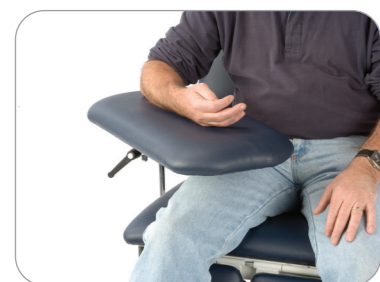
- SM5555** Hydraulic with manual backrest
- SM5565** Electric with manual backrest
- SM5575** Electric with electric backrest
- SM5585** Electric with electric height, tilt and backrest
- SM5585D** Deluxe model with stool, base cover and Orthopaedic accessories set



Model SM5565 shown with optional stool, breathing hole and instrument tray. Colour dark blue



Model 5007 optional orthopaedic full leg seat module



Model 5006 optional orthopaedic arm support attachment

Standard Features

- Safe working load and lifting capacity of 240Kg (528lbs)
- Adjustable angle backrest from horizontal to +80°
- Adjustable angle footrests from horizontal to -85°
- Trendelenburg tilt to -15° on Models SM5585/ SM5585D
- The power assisted foot sections incorporate anti-trap design gas struts
- The footrests extend for tall patients
- Choice of manual hydraulic or electric height elevation
- Excellent height range from 52cm to 106cm
- Compact frame design with retractable wheel system
- Adjustable foot for stability on uneven surfaces
- Purpose made precision bearings on all pivot points
- Anti-bacterial powder coated frame
- Clearance beneath frame for mobile hoist
- Hand switch fitted as standard on electric models
- Standard width 65cm upholstery
- Choice of upholstery colours, for full range of colour options see page 51

Optional Accessories

- 6052** Protective base frame cover
- 5006** Orthopaedic arm support
- 5007** Orthopaedic full leg seat module
- 5008** Knee support roll set
- 5009** Orthopaedic leg support attachment
- 6007** Removable head/knee cushion
- 6103** Matching operators stool
- 6107** Deluxe saddle chair
- 6005** Paper roll holder
- 6004** Breathing hole and plug for prone treatments
- 6200** Single foot switch operation for Model SM5565
- 6207** Double foot switch operation for Model SM5575
- 6209** Triple foot switch operation for Model SM5585 / SM5585D
- 6057** Battery back-up facility

See page 50-51 for additional information on our range of optional accessories



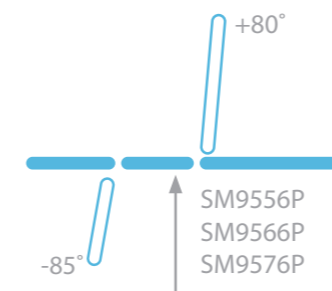
Model 5008 optional knee support roll set



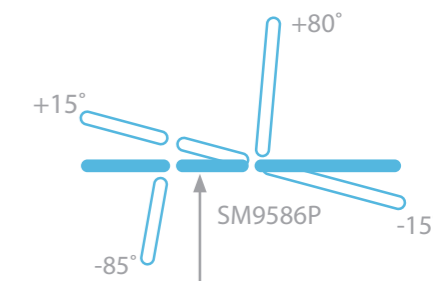
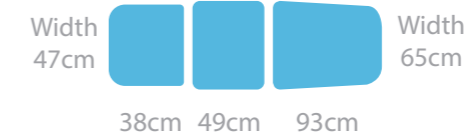
Model 5009 optional orthopaedic leg support attachment



Model SM5565 showing extended patient footrest



Height range 52cm to 106cm



Height range 52cm to 106cm

Medicare Phlebotomy Couches



A specialist couch designed to provide a comfortable and easy to mount seat position for blood sampling procedures. All models are fitted with a pair of multi-adjustable arm rests and side support loops for the stability and safety of the patient when mounting and dismounting the couch. The seat section is inclined for additional patient security.

Models

- SM9556P** Hydraulic with manual backrest
- SM9566P** Electric with manual backrest
- SM9576P** Electric with electric backrest
- SM9586P** Electric height, tilt and backrest



Model SM9566P with optional base cover. Colour dark blue

Standard Features

- Safe working load and lifting capacity of 240Kg (528lbs)
- Adjustable angle backrest from horizontal to +80°
- Electric backrest and trendelenburg tilt on Model SM9586P. Electric backrest on Model SM9576P
- Patient hand-grip supports to aid mount/dismount from the couch as well as providing patient security
- Fully adjustable phlebotomy arms for use on either side of couch
- Fitted with paper roll holder
- Choice of hydraulic or electric height elevation
- Excellent height range from 52cm to 106cm
- Compact frame design with retractable wheel system
- Adjustable foot for stability
- Purpose made precision bearings on all pivot points
- Anti-bacterial powder coated frame
- Inclined seat section for patient security
- Clearance beneath frame for mobile hoist
- Hand switch fitted as standard on electric models
- Standard width 65cm upholstery
- Choice of upholstery colours, for full range of colour options see page 51

Optional Accessories

- 6052** Protective base frame cover
- 6200** Single foot switch operation for Model SM9566P
- 6207** Double foot switch operation for Model SM9576P
- 6209** Triple foot switch operation for Model SM9586P
- 6057** Battery back-up facility
- 6007** Removable head cushion (Included with model SM9586P)
- 6101** Matching high operators chair
- 6107** Matching deluxe saddle chair

See page 50-51 for additional information on our range of optional accessories



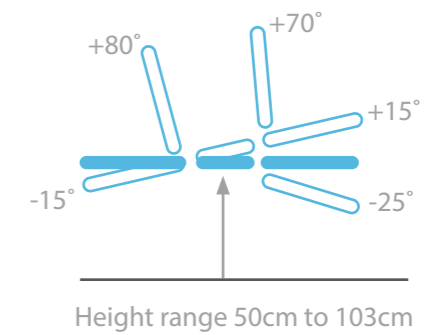
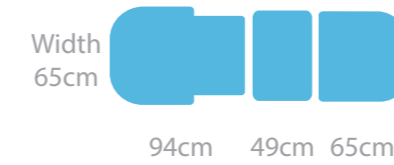
Model 6107 optional matching deluxe saddle chair



Model 6101 optional matching high operators chair



Model SM9566P Colour dark blue



Medicare Echocardiography Couch



Designed specifically for Echocardiography, this couch has electric operation of height, tilt and backrest angle. The backrest has a cut-away design for improved application of the transducer during scanning procedures and a specially designed stool for the clinician is also provided. The couch is also supplied with an integral footrest for the clinician, as well as a patient hand-grip and head cushion for the patients comfort and security.

Models

- SM3590** Electric height, tilt and backrest. Retractable wheel system
- SM3690** Electric height, tilt and backrest. Central locking wheel system with steering facility



Model SM3590 Colour sky blue

Standard Features

- Safe working load and lifting capacity of 240Kg (528lbs)
- Electric adjustment of height, tilt and backrest angle with hand switch control
- Excellent height range from 50cm to 103cm
- Electric backrest angle adjustable from horizontal to +80°
- Electric trendelenburg tilt to -15°
- Manual adjustment of foot section from -25° to +70
- The foot section incorporates anti-trap design gas strut
- Backrest design with cut-away for improved transducer positioning
- Integral footrest for clinician when traditional right hand scanning, together with specially designed stool
- Hand-grip and side support with cushion for patient positioning and security
- Purpose made precision bearings on all pivot points
- Anti-bacterial powder coated frame
- Standard width 65cm upholstery
- Paper roll holder and head support cushion supplied as standard
- Retractable wheel design with adjustable foot for stability on uneven surfaces
- Choice of upholstery colours, for full range of colour options see page 51

Optional Accessories

- 6209** Triple foot switch operation
- 6057** Battery back-up facility
- 6123** Fully adjustable arm support for the clinician

See page 50-51 for additional information on our range of optional accessories



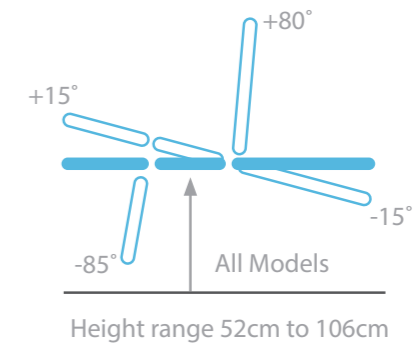
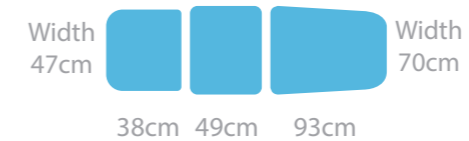
Special design stool provided for clinician, included as standard



Model SM3590 Colour sky blue



Model 6123 optional adjustable arm support for clinician



Medicare Ultrasound Couches



Providing smooth electric positioning of height, tilt and backrest angle, these couches feature a compact base frame and are ideal for both supine and seated procedures. The deluxe model includes the base frame cover and matching operators chair. The new SM9696 models additionally feature an electric footrest for patient positioning. The slightly narrow foot section enables the additional fitting of leg supports or stirrups for gynaecological procedures.

Models

- SM9686** Electric height, tilt and backrest - manual foot section
- SM9686D** Deluxe Model with base cover and matching operators chair
- SM9696** Electric height, tilt, backrest and foot section
- SM9696D** Deluxe Model with base cover and matching operators chair



Model 6044 optional lithotomy stirrups



Model SM9686 with optional leg supports. Colour light grey

Standard Features

- Safe working load and lifting capacity of 240Kg (528lbs)
- Easy adjustment of height, tilt, backrest and foot section
- Electric adjustable backrest from horizontal to +80°
- Adjustable angle footrest from horizontal to -85°
- Electric trendelenburg angle to -15°
- Choice of power assisted or electric operated foot section
- Electric height elevation via hand control
- Excellent height range from 52cm to 106cm
- Supplied with paper roll holder and matching head cushion
- Compact frame design with retractable wheel system
- Adjustable foot for stability on uneven surfaces
- Purpose made precision bearings on all pivot points
- Anti-bacterial powder coated frame
- Clearance beneath frame for mobile hoist
- Standard width 70cm upholstery
- Choice of upholstery colours, for full range of colour options see page 51

Optional Accessories

- 6052** Protective base frame cover
- MC6158** Matching sonographers chair
- MC6107** Matching deluxe saddle chair
- 6100** Matching operators chair
- 6004** Breathing hole and plug for prone treatments
- 6209** Triple foot switch for Model SM9686 & SM9686D
- 6057** Battery back-up facility
- 6045** Leg supports for gynaecology procedures
- 6044** Lithotomy stirrups
- 6054** Telescopic IV pole
- 6041** Side support loops

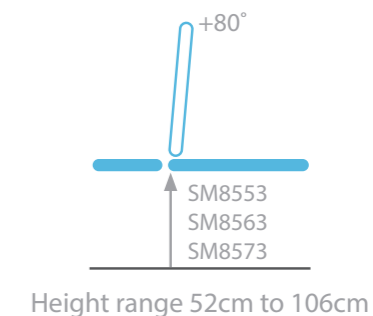
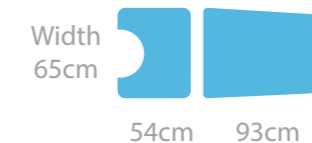
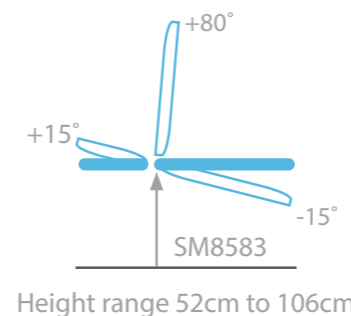
See page 50-51 for additional information on our range of optional accessories



Model MC6158 Sonographers chair standard model. Colour oriflamme



Model SM9686 in trendelenburg position



Medicare Gynaecology Couches



Designed for general gynaecology procedures, these models are available with either hydraulic or electric height operation and feature a wide choice of optional accessories to meet both financial and clinical requirements. All models feature a crescent shaped seat design and are supplied with fully adjustable leg supports, paper roll holder, side support loops and debris tray for gynaecology procedures.

Models

- SM8553** Hydraulic with manual backrest
- SM8563** Electric with manual backrest
- SM8573** Electric height and backrest
- SM8583** Electric height, tilt and backrest



Model SM8583 Colour dark blue

Standard Features

- Safe working load and lifting capacity of 240Kg (528lbs)
- Adjustable angle electric backrest from horizontal to +80°
- Crescent shaped seat design
- Fully adjustable patient leg supports
- Fitted with debris tray, side support loops
- Fitted with paper roll holder
- Choice of manual or electric height elevation
- Excellent height range from 52cm to 106cm
- Compact base with retractable wheel system
- Adjustable foot for stability on uneven floors
- Purpose made precision bearings on all pivot points
- Anti-bacterial powder coated frame
- Hand switch fitted as standard on electric models
- Electric trendelenburg tilt to -15° on model SM8583
- Standard width 65cm upholstery
- Choice of upholstery colours, for full range of colour options see page 51

Optional Accessories

- 6052** Protective base frame cover
- 6200** Single foot switch operation for Model SM8563
- 6207** Double foot switch operation for Model SM8573
- 6209** Triple foot switch operation for Model SM8583
- 6051** Fold-down leg extension accessory
- 6043** Removable leg extension accessory
- 6007** Matching head cushion (Included on Model SM8583)
- 6100** Matching operators chair
- 6057** Battery back-up facility

See page 50-51 for additional information on our range of optional accessories



Model 6043 optional removable leg extension accessory



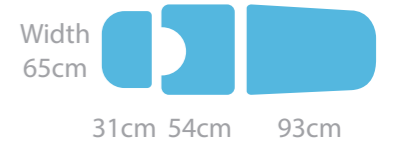
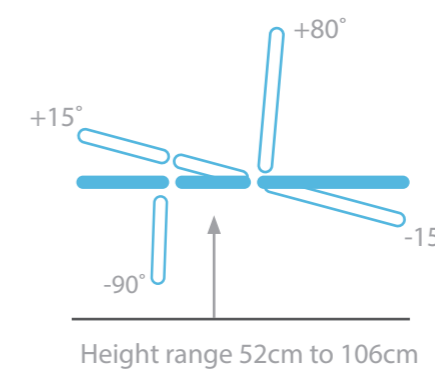
Model 6051 optional fold-down leg extension accessory



Model SM8563 Colour light grey



Model 6100 see choice of matching operators chairs on page 50



Medicare Deluxe Gynaecology Couches



Designed for colposcopy and general gynaecology procedures, these Deluxe models feature electric positioning for height, backrest angle and tilt position. They are supplied with a special set of accessories which include a matching operator's chair, base frame cover, a choice of leg extension, leg supports, matching head support cushion, side support loops, debris tray and paper roll holder.

Models

- SM8583D** Deluxe Model with removable extension
- SM8593D** Deluxe Model with fold-down extension



Model SM8583D Deluxe model with removable extension. Colour cream

Standard Features

- Safe working load and lifting capacity of 240Kg (528lbs)
- Adjustable angle electric backrest from horizontal to +80°
- Electric control of height, backrest and tilt angle
- Excellent height range from 52cm to 106cm
- Crescent shaped seat design
- Fully adjustable patient leg supports
- Fitted with debris tray, side support loops and paper roll holder
- Supplied with matching operators chair and head cushion
- Supplied with the choice of removable or fold-down leg extension
- Compact base frame with retractable wheel system
- Base frame cover
- Adjustable foot for stability on uneven floors
- Purpose made precision bearings on all pivot points
- Anti-bacterial powder coated frame
- Hand switch fitted as standard
- Standard width 65cm upholstery
- Choice of upholstery colours, for full range of colour options see page 51

Optional Accessories

- 6209** Triple foot switch
- 6057** Battery back-up facility

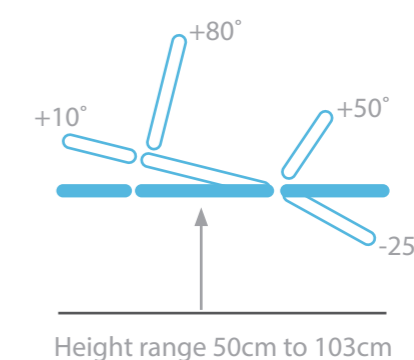
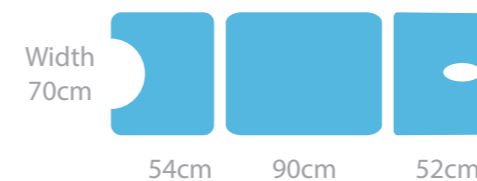
See page 50-51 for additional information on our range of optional accessories



Fold-down leg extension



Model SM8593D Colour sky blue



Medicare GP Gynaecology Couch



A multi-purpose couch providing electric positioning for gynaecology procedures, as well as a full length couch surface for most general prone and supine examinations and minor treatment procedures.

Models

- SM8543** Electric height, tilt and backrest with manual head section, retractable wheel system
- SM8543D** Deluxe Model complete with base cover, matching operators chair and head support cushion, retractable wheel system



Model SM8543 Colour black



Model 6045 optional gynaecology leg supports

Standard Features

- Safe working load and lifting capacity of 240Kg (528lbs)
- Electric adjustable angle backrest from horizontal to +80°
- Electrically adjustable seat angle with trendelenburg to -10°
- Power assisted adjustable head section from -25° to +50°
- Breathing hole and plug fitted
- Excellent height range from 50cm to 103cm
- Retractable wheels with adjustable foot for uneven surfaces
- Clearance beneath frame for mobile hoist
- Anti-bacterial powder coated frame
- Hand switch fitted as standard
- Supplied complete with lithotomy stirrups and debris tray
- Standard width upholstery 70cm
- Paper roll holder fitted as standard
- Choice of upholstery colours, for full range of colour options see page 51

Optional Accessories

- 6053** Protective base frame cover
- 6057** Battery back-up facility
- 6045** Gynaecology leg supports
- 6007** Head support cushion
- 6209** Triple foot switch
- 6100** Matching operators chair

See page 50-51 for additional information on our range of optional accessories



See choice of matching operators chairs on page 50

Trendelenburg tilt to -10°. Model 6044 optional lithotomy stirrups

Width
74cm



160cm

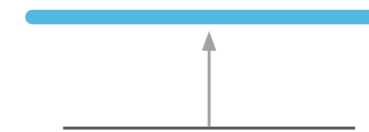
Junior

Width
74cm



195cm

Standard



Height range 41cm to 94cm

Shower Trolley



Designed to provide transport to and from the showering area, these mobile hydraulic Shower Trolley's feature a foam padded PVC liner for added patient comfort, a linked wheel system with central locking and steering facility, as well as fold down side support rails for patient transfer. The new Junior model has an overall length of 160cm and both the Standard and Junior models are available with a rechargeable battery option as an alternative to the hydraulic height operation.

Models

ST7700	Standard hydraulic
ST7800	Electric with Rechargeable battery
ST7600	Junior hydraulic
ST7500	Junior electric with Rechargeable battery

Model ST7800 Electric model with rechargeable battery shown at mid height



Charger unit

Standard Features

- Safe working load and lifting capacity of 240Kg (528lbs)
- Large wheel design, with central locking and steering facility
- Hydraulic height adjustment 41cm to 94cm via foot pedal
- Rechargeable battery models 41cm to 94cm via hand switch
- Battery operated models include a spare battery pack and charging unit
- Foam padded PVC liner with side supports and end panels for comfort and security
- Supplied with foam padded PVC patient support cushion
- The side support rails fold down to assist patient transfer
- Low gradient tilt towards foot end for water drainage via integral waste outlet
- Plug and drain hose supplied complete with storage bracket
- Bumpers fitted to all corners for protection during transport procedures
- Bumpers can be removed to reduce the width to 65cm to access tight doorways
- Lowers to wheelchair height for ease of patient transfer
- Purpose made precision bearings on all pivot points
- Clearance beneath frame for mobile hoist
- Choice of junior or standard models

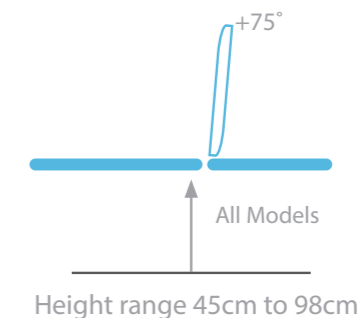
Optional Accessories

- 6093** Replacement PVC liner
- 6094** Replacement Patient PVC Cushion
- 6092** Replacement Battery Pack

Model ST7700 Standard hydraulic model at low height for patient transfer



Model ST7700 Standard hydraulic model



Medicare Bariatric 2 Section Couches



The Bariatric 2 Section Couches feature electric height and backrest operation for effortless patient positioning for various medical examinations and treatment procedures. There is a choice of widths available - Models SM2573 and SM2673 are available with a width of 80cm and Models SM4542 and SM4642 which have a wide frame, are available at 105cm as standard and 125cm at an additional cost. All couches provide a safe working load and lifting capacity of 325Kg (715lbs).

Models

- SM2573** Electric with electric backrest 80cm wide. Retractable wheel system
- SM2673** Electric with electric backrest 80cm wide. Large wheel design, with central locking and steering facilities
- SM4542** Electric with electric backrest 105cm wide. Retractable wheel system
- SM4642** Electric with electric backrest 105cm wide. Large wheel design, with central locking and steering facilities



Model SM2573 Standard width 80cm. Colour sky blue

Standard Features

- Safe working load and lifting capacity of 325Kg (715lbs)
- Choice of retractable wheel or large wheel design, with central locking & steering facility
- Adjustable angle electric backrest operation from 0° to +75°
- Electric height elevation from 45cm to 98cm
- Purpose made precision bearings on all pivot points
- Anti-bacterial powder coated frame
- Clearance beneath frame for mobile hoist
- Standard width upholstery 80cm
- Hand switch fitted as standard
- Choice of upholstery colours, for full range of colour options see page 51

Optional Accessories

- 6076** Memory foam upholstery (60mm) for additional patient comfort
- 6004** Breathing hole and plug for prone treatments
- 6074** Side support rail (Pair)
- 6074P** Side support rail cushions (Pair)
- 6005** Paper roll holder
- 6207** Double foot switch

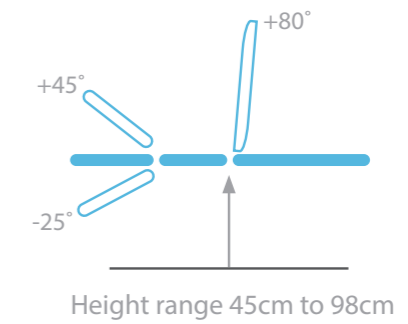
See page 50-51 for additional information on our range of optional accessories



Model SM4542 shown with optional fold-down side support rails and cushions



Model SM4642 Standard width 105cm with central locking wheels and steering facility. Colour sky blue



Medicare Bariatric 3 Section Couch



The Bariatric 3 Section Couch features electric height, backrest and foot section operation for effortless patient positioning for a wide range of examination procedures. There is a choice of wheel system available and the couch provides a safe working load and lifting capacity of 325Kg (715lbs).

Models

- SM3573** Electric with electric backrest and foot section. Retractable wheel system
- SM3673** Electric with electric backrest and foot section. Central locking wheel system



Model SM3573 Colour light grey

Standard Features

- Safe working load and lifting capacity of 325Kg (715lbs)
- Choice of retractable wheel or large wheel design, with central locking & steering facility
- Adjustable angle electric footrest operation from -25° to +45°
- Adjustable angle electric backrest from horizontal to +80°
- Electric height elevation from 45cm to 98cm
- Purpose made precision bearings on all pivot points
- Anti-bacterial powder coated frame
- Clearance beneath frame for mobile hoist
- Standard width upholstery of 80cm (maximum)
- Hand switch fitted as standard
- Choice of upholstery colours, for full range of colour options see page 51

Optional Accessories

- 6076** Memory foam upholstery (60mm) for additional patient comfort
- 6004** Breathing hole and plug for prone treatments
- 6007** Head support cushion
- 6074** Side support rails (Pair)
- 6074P** Side support rail cushions (Pair)
- 6005** Paper roll holder

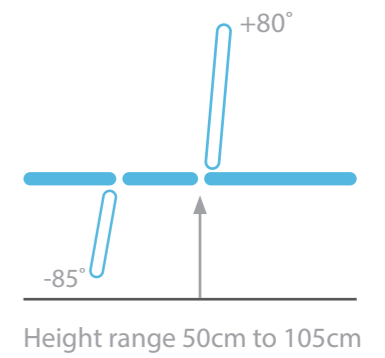
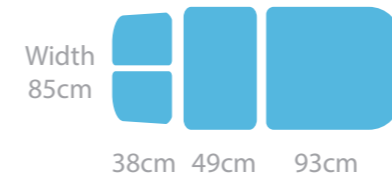
See page 50-51 for additional information on our range of optional accessories



Model SM3573 with optional breathing hole and plug. Colour light grey



Low patient transfer height



Medicare Bariatric Drop End Couches



The Bariatric Drop End Couches feature electric independently operated foot sections for effortless positioning for various lower limb procedures. The electric backrest supports the patient in the sitting position. There is a choice of models with either single or dual foot sections, all with a safe working load and lifting capacity of 325Kg (715lbs).

Models

- SM3484** Electric height, backrest and dual foot sections. Independently braked castors
- SM3684** Electric height, backrest and dual foot sections. Central locking wheel system
- SM3483** Electric height, backrest and single foot section. Independently braked castors
- SM3683** Electric height, backrest and single foot section. Central locking wheel system



Low patient transfer height



Model SM3484 with memory foam upholstery. Individually operated electric footrests. Colour cobalt blue

Standard Features

- Safe working load and lifting capacity of 325Kg (715lbs)
- Memory foam upholstery (60mm) for additional patient comfort
- Choice of wheel system designs
- Adjustable angle electric backrest operation from 0° to +80°
- Electric foot sections, adjustable in angle from 0° to -85°
- Electric height elevation from 50cm to 105cm
- Purpose made precision bearings on all pivot points
- Anti-bacterial powder coated frame
- Clearance beneath frame for mobile hoist
- Hand switch fitted as standard
- Standard width upholstery 85cm
- Choice of upholstery colours, for full range of colour options see page 51

Optional Accessories

- 6004** Breathing hole and plug for prone treatments
- 6007** Head support cushion
- 6074** Side support rails (Pair)
- 6074P** Side support rail cushions (Pair)
- 6005** Paper roll holder

See page 50-51 for additional information on our range of optional accessories



Low patient transfer height



Model SM3683 with optional memory foam upholstery and optional MultiStretch vinyl. Electric operated single foot section. Colour blueberry.

Optional Accessories



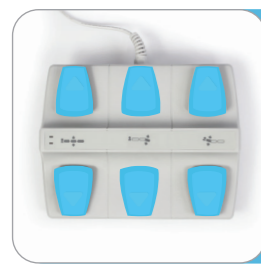
6200

Single foot switch option (alternative to standard single hand switch).



6207

Double foot switch option (alternative to standard double hand switch).



6209

Triple foot switch option (alternative to standard triple hand switch).



6001

The perimeter foot switch is a "hands free" foot operated system for height adjustment. Medicare 2 & 3 sections only.



6057

Battery back-up available for most electric operated models.



6052 & 6053

An easy to clean protective base frame cover that conceals the moving parts of the framework.



6002 & 6003

Fold-down side support rails for 2 & 3 section couches, providing patient support and security.



6002P & 6003P

Upholstered cushions can be added to the side support rails for additional comfort, support and protection.



6041

Side support loops provide patient support and security and are easily removable.



6054

Telescopic IV pole has fixing points on both sides of the couch and is easily adjusted to the required height.



6005

The paper roll holder provides a protective barrier between the patient and the upholstered surface.



6004

Breathing hole & plug for improved patient comfort for prone treatments.



6007

The head support cushion is easily attached to the couch and can also be used as a support for lower limbs.



6006

The upper limb support has multi-angular adjustment and can be fitted to either side of the couch.



5008

The knee roll support set is an ideal accessory for supporting limbs during medical procedures.



6020

A light weight free-standing adjustable leg support for lower limb procedures. Supplied with carrying case.



6044

Traditional lithotomy stirrups for gynaecology procedures.



6045

Leg supports for gynaecology procedures. Fully adjustable for patient comfort and security.

If you have any queries on any of the optional accessories listed above please contact us for further details. Please note some of the accessories are supplied as standard with specific couches so please ensure you check before purchasing your chosen product as all other options come at an additional cost.

Chairs & Stools



MC6158
Surgeons / Sonographers chair, standard model. Height range of 45-59cm. Polished aluminium gas strut, five star base and castors.



6100
Standard operators chair with 2 lever operation for height and backrest angle. Height range of 48-60cm. Black five star base and castors.



6103
Standard operators stool with all round release lever for height adjustment with range of 48-60cm. Black five star base and castors.



6144
Economy saddle stool with single lever height adjustment with a range of 48-60cm. Black five star base and castors.



MC6178
Round general medical chair, standard model. Height range of 45-59cm. Polished aluminium gas strut, five star base and castors.



6101
High operators chair with 2 lever operation for height and backrest angle. Height range of 53-73cm. Adjustable foot support ring. Black five star base and glides.



6104
High operators stool with all round release lever for height adjustment with range of 53-73cm. Adjustable foot support ring. Black five star base and glides.



MC6107
Deluxe saddle chair with 2 lever operation for height and seat tilt facility. Height range of 54-71cm. Polished aluminium five star base and castors.

Note¹: See Medical Seating brochure for more options.

Standard Colour Range

A very hard wearing vinyl that will retain its performance for many years. Abrasion Resistance to 150,000 cycles.



White



Light Grey



Dark Grey



Black



Pepper



Sky Blue



Canard



Dark Blue



Olive



Lotus Green



Cream



Brown



Poterie



Red



Burgundy

Other colours are available on request

Please Note: The illustrated vinyl colours may vary slightly from actual vinyl supplied. This occurs due to the four colour printing process. However every attempt has been made to make them as accurate as possible.