



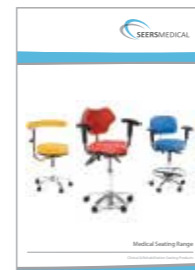
Sterling Couch Range



Clinical Couch Range



Atlanta Range



Seating Range



SEERS MEDICAL Ltd
Kenton Road,
Debenham, Suffolk
IP14 6LA, United Kingdom
© Copyright SEERS Medical Ltd 2020

Company Reg. N° 6572698
VAT N° 931596702
Printed in the United Kingdom

Note¹: The illustrated fabric colours may vary slightly from actual fabric supplied. This occurs due to the four colour printing process. However every attempt has been made to make them as accurate as possible. Our Policy of continuous improvement means that we reserve the right to change and modify designs without prior notice. Note²: Measurements may vary +/- 2° or +/- 5mm due to manufacturing tolerances



Tel +44 (0)1728 861 590
Fax +44 (0)1728 861 868

info@seersmedical.com
www.seersmedical.com

Issue N° 019 v3
Part N° 06Z-8004-SF

Therapy Range

Introduction

In this brochure we cover our range of physiotherapy and rehabilitation products. There is a wide choice of models and accessories to cater for various examination procedures as well as different manual therapy and rehabilitation techniques. Most models are variable in height with a choice of both manual or electric positioning and height operation. The development of these products has been achieved by applying our many years of experience and knowledge in this market. Much thought has been given to the design, to benefit both the comfort and security of the patients as well as providing manual handling solutions which promote good posture and ergonomics to all clinical staff when they are using this equipment. With the management and control of our own assembly line at our premises in Debenham, Suffolk in the UK, our couches comply to the CE medical devices directive 93/42/EEC, ensuring we supply high quality products every time, with short lead times to meet the tightest of deadlines.

Contents

4-5	Therapy 2 Section Standard Head Couch
6-7	Therapy 2 Section Basic Head Couch
8-9	Therapy 2 Section Plus Head Couch
10-11	Therapy 3 Section Standard Head Couch
12-13	Therapy 3 Section Basic Head Couch
14-15	Therapy 3 Section Plus Head Couch
16-17	Therapy 3 Section Drop End Couch
18-19	Therapy Deluxe Drainage Couch
20-21	Therapy Deluxe Couch
22-23	Therapy Traction Tables
24-25	Traction Machine & Accessories
26-27	Therapy Mat Tables
28-29	Therapy Bobath Couches
30-31	Therapy Deluxe Bobath Couches
32-33	Therapy Bariatric 2 & 3 Section Couches
34-35	Therapy Economy Tilt Tables
36-37	Therapy Standard Tilt Tables
38-39	Therapy Deluxe Tilt Tables
40-41	Therapy Child Tilt Tables
42-43	Therapy Hygiene Tables
44-45	Therapy Shower Trolley's
46-47	Therapy Fixed Height Couches
48-49	Therapy Chairs & Stools
50-51	Optional Couch Accessories
52-53	Optional Couch Accessories & Vinyl Colours



Safe working load
240Kg (550lbs)



Mobile hoist clearance
beneath frame



Anti-bacterial
powder coated frame



Anti-microbial
vinyl upholstery



Crib 5 Fire
retardant upholstery



Low patient
transfer height



Complies with EC
Directive 13485:2016
Medical Devices

Technical Information

At **SEERS** Medical we are using state of the art design tools, such as 3D solid modelling and in house rapid prototyping, to assist us in getting new designs into development and manufacture. Whilst designing new products, all manufacturing capabilities available are taken into consideration, such as CNC wood cutting, laser profiling and robot welding, which deliver reliable build quality and repeatability of accurate components, time after time. A typical innovative use of these processes is evident in a high loaded components such as the ram bracket, a common item on many **SEERS** couches, where using laser profiling we have been able to make the parts interlock, adding immense strength, even before welding! This is typical of the attention to detail that we pride ourselves with, and sets us apart from other couch manufacturers, giving us confidence in the reliability and longevity of the products we manufacture.

Mechanical Safety & Load Testing

All **SEERS** Medical products have been tested to the applicable EN 60601-1:2006+A12:2014 (E) the General requirements for basic safety and essential performance. Our couches have been thoroughly tested with a two and a half times safe working load (in excess of 600Kg loaded evenly, for in excess of one hour, to prove load support capability without failure. Our products are tested in accordance to Clauses 9.8.3.2-3 Static Forces of EN60601-1:2006 Not only do our products have high safe working loads (typically 240Kg), but our products also lift the rated safe working load from the minimum height to the maximum height smoothly.

Electrical Safety

All **SEERS** Medical products comply to EN 60601-1:2006+A12:2014 (E) the General requirements for basic safety and essential performance. In addition, the actuation and control systems used on our products are marked with the UL mark, demonstrating compliance to UL60601-1 and CAN/CSA-C22.2 No. 601.1-M90, meeting the requirements for USA and Canada. The actuation control system is also marked with approval to C-ETL-US No. 3154358.

CE Marking & Quality System

SEERS Medical operates a Quality Management System in accredited and approved to ISO 9001:2008. **SEERS** Medical products comply with the Essential Requirements in Annex I of EC Directive 93/42/EC, with all relevant design, production records, risk assessments, product testing and labelling information recorded in the documentation file labelled the "Technical File". All products carry a unique serial number for trace-ability of build date, model number and associated build records.

Flammability

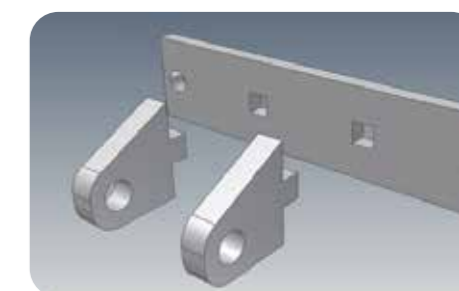
The upholstered couch sections satisfies flammability requirements to the standards of BS 7176:1995 (medium hazard) using ignition sources 0 (cigarette), 1 (gas) as defined in BS EN. 1921-1 and 2 and 5 (crib) BS 5852:1990.

Warranty

The variable height couches detailed in this brochure have a lifetime frame warranty and five years warranty on all other components.



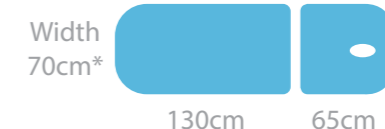
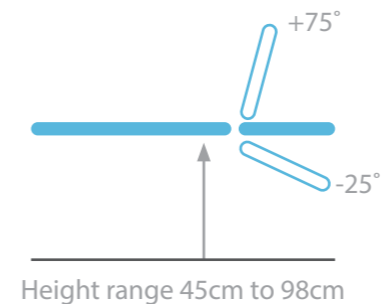
CAD design technology



Interlocking structural components



Robot Welding



*When fitted with 9201 Easy Clean Upholstery

Therapy 2 Section Standard Head Couch



A very strong and rigid 2 section couch with a wide range of optional accessories available and an extensive choice of colours. This couch is suitable for supporting very heavy patients for examinations, minor procedures and physiotherapy treatments. This 2 section couch is available as a hydraulic or electric model, both models feature a manual backrest that can be adjusted from -25° to +75° and has an excellent height range from 45cm to 98cm.

Models

- ST2557** Hydraulic with manual backrest
- ST2567** Electric with manual backrest



Model ST2567 Electric model with manual backrest and optional foot switch. Colour light grey

Standard Features

- Safe working load and lifting capacity of 240Kg (528lbs)
- The power assisted backrest section incorporates anti-trap design gas strut
- Backrest angle adjustment from -25° to +75°
- Choice of hydraulic or electric height elevation
- Excellent height range from 45cm to 98cm
- Retractable wheel design with adjustable foot for stability on uneven surfaces
- Breathing hole and plug included as standard
- Purpose made precision bearings on all pivot points
- Clearance beneath frame for mobile hoist
- Hand switch fitted as standard on electric models
- Standard upholstery width of 65cm

Optional Accessories

- 6001** Perimeter Foot Switch
- 6200** Single Foot Switch
- 6239** Dual Foot Switch Operation
- 6006** Upper Limb Support
- 6002** Side Support Rails
- 6002P** Side Support Rail Cushions
- 6005** Paper Roll Holder
- 6007** Removable Head/Knee Support
- 6053** Protective Base Shroud
- 6010** Couch Cover (Breathing Hole)
- 6011** Couch Cover (Without Breathing Hole)

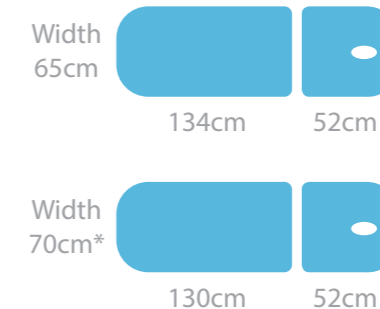
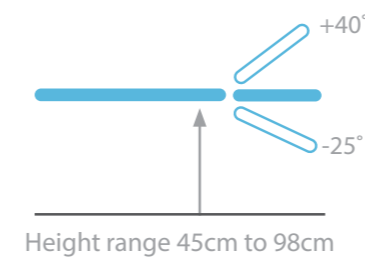
See page 48-55 for additional information on our range of optional accessories and colour options



Negative head section to -25°



Low patient transfer height



*When fitted with 9202 Easy Clean Upholstery

Therapy 2 Section Basic Head Couch



Designed for head and neck mobilisation, as well as manual traction techniques, these strong and rigid tables feature a short head section, with the option of adjustable height armrests on the "Plus" model, providing additional patient comfort during prone treatments. The head section has a breathing hole and plug fitted as standard.

Models

- ST2558 Hydraulic with manual backrest
- ST2568 Electric with manual backrest



Model ST2558 Hydraulic model with manual backrest. Colour mandarine

Standard Features

- Safe working load and lifting capacity of 240Kg (528lbs)
- The power assisted head section incorporates anti-trap design gas strut
- Head section angle adjustment from -25° to +40°
- Choice of hydraulic or electric height elevation
- Excellent height range from 45cm to 98cm
- Retractable wheel design with adjustable foot for stability on uneven surfaces
- Breathing hole and plug included as standard
- Purpose made precision bearings on all pivot points
- Clearance beneath frame for mobile hoist
- Hand switch fitted as standard on electric models
- Standard width 65cm upholstery

Optional Accessories

- 6001 Perimeter Foot Switch
- 6200 Single Foot Switch
- 6239 Dual Foot Switch Operation
- 6006 Upper Limb Support
- 6002 Side Support Rails
- 6002P Side Support Rail Cushions
- 6005 Paper Roll Holder
- 6007 Removable Head/Knee Support
- 6053 Protective Base Shroud
- 6010 Couch Cover (Breathing Hole)
- 6011 Couch Cover (Without Breathing Hole)

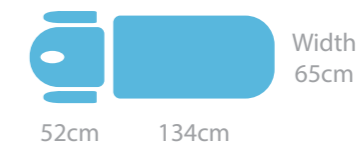
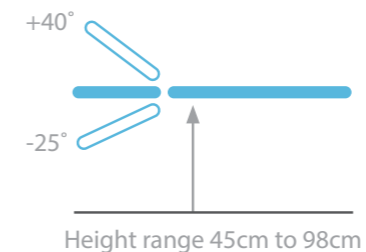
See page 48-55 for additional information on our range of optional accessories and colour options



Negative head section to -25°



Low patient transfer height



Therapy 2 Section Plus Head Couch



The plus head design is ideal for neck mobilisation as well as manual traction techniques. These couches feature a short head section with height adjustable armrests for prone treatments, promoting relaxed shoulders and a more comfortable patient. The couch has an excellent height range of 45cm to 98cm and is fitted with a breathing hole and plug as standard.

Models

- ST2559** Hydraulic with manual head section
- ST2569** Electric with manual head section



Model ST2569 Plus head model with manual head section and optional perimeter foot switch. Colour tileul

Standard Features

- Safe working load and lifting capacity of 240Kg (528lbs)
- The power assisted head section incorporates anti-trap design gas strut
- Head section angle adjustment from -25° to +40°
- Adjustable height armrests as standard
- Choice of manual or electric height elevation
- Excellent height range from 45cm to 98cm
- Retractable wheel design with adjustable foot for stability on uneven surfaces
- Breathing hole and plug included as standard
- Purpose made precision bearings on all pivot points
- Clearance beneath frame for mobile hoist
- Hand switch fitted as standard on electric models
- Standard width 65cm upholstery

Optional Accessories

- 6001** Perimeter Foot Switch
- 6200** Single Foot Switch
- 6239** Dual Foot Switch Operation
- 6006** Upper Limb Support
- 6002** Side Support Rails
- 6002P** Side Support Rail Cushions
- 6005** Paper Roll Holder
- 6007** Removable Head/Knee Support
- 6053** Protective Base Shroud
- 6012** Couch Cover (Breathing Hole) for Plus Head Models (4 Piece)

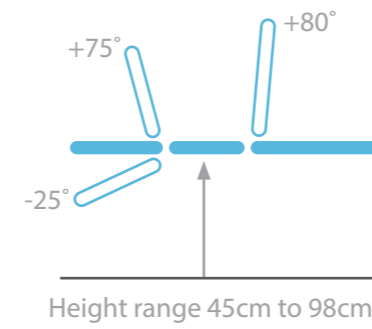
See page 48-55 for additional information on our range of optional accessories and colour options



Positive head section to +40°



Low patient transfer height



*When fitted with 9301 Easy Clean Upholstery

Therapy 3 Section Standard Head Couch



A very strong and rigid 3 section couch with a traditionally long head section to suit a wide range of physiotherapy and general examination procedures. The couch can be adjusted to provide support for the patient in prone, supine and seated positions. The couch has an excellent height range of 45cm to 98cm and is fitted with a breathing hole and plug as standard.

Models

- ST3557** Hydraulic with manual backrest and head section
- ST3567** Electric with manual backrest and head section



Hydraulic foot operation



Model ST3557 Colour sky blue



Negative head/foot section to -25°



Low patient transfer height

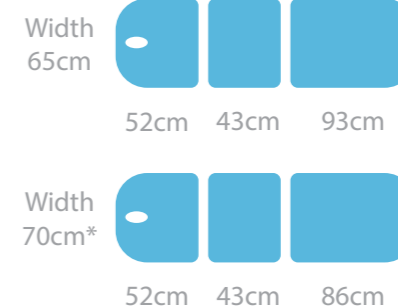
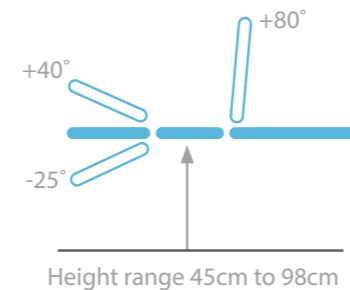
Standard Features

- Safe working load and lifting capacity of 240Kg (528lbs)
- Power assisted head section is adjustable from -25° to +75°
- Power assisted backrest adjustable from horizontal to 80°
- Head section and backrest incorporate anti-trap design
- Choice of hydraulic or electric height elevation
- Excellent height range from 45cm to 98cm
- Retractable wheel design with adjustable foot for stability on uneven surfaces
- Breathing hole and plug included as standard
- Purpose made precision bearings on all pivot points
- Clearance beneath frame for mobile hoist
- Hand switch fitted as standard on electric models
- Standard width 65cm upholstery

Optional Accessories

- 6001** Perimeter Foot Switch
- 6200** Single Foot Switch
- 6239** Dual Foot Switch Operation
- 6006** Upper Limb Support
- 6002** Side Support Rails
- 6002P** Side Support Rail Cushions
- 6005** Paper Roll Holder
- 6007** Removable Head/Knee Support
- 6053** Protective Base Shroud
- 6010** Couch Cover (Breathing Hole)
- 6011** Couch Cover (Without Breathing Hole)

See page 48-55 for additional information on our range of optional accessories and colour options



*When fitted with 9302 Easy Clean Upholstery

Therapy 3 Section Basic Head Couch



Designed with a short head section for head and neck mobilisation techniques, these versatile tables are suitable for a wide range of physiotherapy and rehabilitation procedures. The couch has an excellent height range of 45cm to 98cm and is fitted with a breathing hole and plug as standard.

Models

- ST3558** Hydraulic with manual backrest and head section
- ST3568** Electric with manual backrest and head section



Model ST3558 in seated position.
Colour light grey

Standard Features

- Safe working load and lifting capacity of 240Kg (528lbs)
- Power assisted head section is adjustable from -25° to +40°
- Breathing hole and plug fitted as standard
- Power assisted backrest is adjustable from 0° to +80°
- Head section and backrest incorporate anti-trap design
- Choice of hydraulic or electric height elevation
- Excellent height range from 45cm to 98cm
- Retractable wheel design with adjustable foot for stability on uneven surfaces
- Breathing hole and plug included as standard
- Purpose made precision bearings on all pivot points
- Clearance beneath frame for mobile hoist
- Hand switch fitted as standard on electric models
- Standard width 65cm upholstery

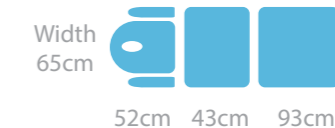
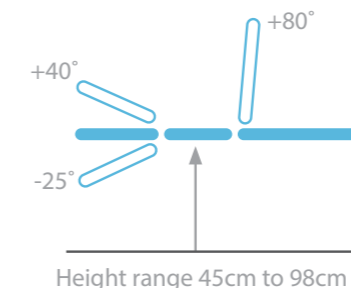
Optional Accessories

- 6001** Perimeter Foot Switch
- 6200** Single Foot Switch
- 6239** Dual Foot Switch Operation
- 6006** Upper Limb Support
- 6002** Side Support Rails
- 6002P** Side Support Rail Cushions
- 6005** Paper Roll Holder
- 6007** Removable Head/Knee Support
- 6053** Protective Base Shroud
- 6010** Couch Cover (Breathing Hole)
- 6011** Couch Cover (Without Breathing Hole)

See page 48-55 for additional information on our range of optional accessories and colour options



Negative head/foot section to -25°



Therapy 3 Section Plus Head Couch



Designed with a short head section for head and neck mobilisation techniques, these versatile tables are suitable for a wide range of physiotherapy and rehabilitation procedures. The "Plus" model features adjustable height armrests which promote a relaxed shoulder girdle and a more comfortable patient during prone treatments. The couch has an excellent height range of 45cm to 98cm and is fitted with a breathing hole and plug as standard.

Models

ST3559 Hydraulic with manual backrest
ST3569 Electric with manual backrest

Standard Features

- Safe working load and lifting capacity of 240Kg (528lbs)
- Power assisted head section is adjustable from -25° to +40°
- Adjustable height armrests for prone treatments
- Power assisted backrest is adjustable from 0° to +80°
- Head section and backrest incorporates anti-trap design
- Choice of hydraulic or electric height elevation
- Excellent height range from 45cm to 98cm
- Retractable wheel design with adjustable foot for stability on uneven surfaces
- Breathing hole and plug included as standard
- Purpose made precision bearings on all pivot points
- Clearance beneath frame for mobile hoist
- Hand switch fitted as standard on electric models
- Standard width 65cm upholstery

Optional Accessories

- 6001** Perimeter Foot Switch
- 6200** Single Foot Switch
- 6239** Dual Foot Switch Operation
- 6006** Upper Limb Support
- 6002** Side Support Rails
- 6002P** Side Support Rail Cushions
- 6005** Paper Roll Holder
- 6007** Removable Head/Knee Support
- 6053** Protective Base Shroud
- 6012** Couch Cover (Breathing Hole) for Plus Head Models (4 Piece)

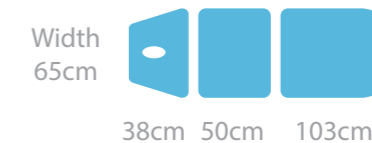
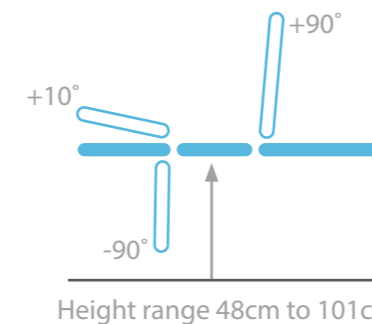
See page 48-55 for additional information on our range of optional accessories and colour options



Model ST3569 in seated position with optional perimeter foot switch.
Colour cobalt blue



Model ST3569 at mid-height with optional perimeter foot switch.



Therapy 3 Section Drop End Couch



An extremely strong and rigid 3 section couch incorporating both an adjustable angle backrest and a single drop end head section, these models are suitable for a wide range of manual therapy and patient examination procedures. The couch has an excellent height range of 48cm to 101cm and is fitted with a breathing hole and plug as standard.

Models

- ST3556** Hydraulic with manual backrest
- ST3566** Electric with manual backrest



Model ST3566 with electric elevation.
Colour dark blue

Standard Features

- Safe working load and lifting capacity of 240Kg (528lbs)
- Adjustable angle backrest from horizontal to +90°
- Adjustable angle head section from +10° to -90°
- Power assisted backrest and head sections incorporate anti-trap design
- Choice of hydraulic or electric height elevation
- Excellent height range from 48cm to 101cm
- Retractable wheel design with adjustable foot for stability on uneven surfaces
- Breathing hole and plug included as standard
- Purpose made precision bearings on all pivot points
- Clearance beneath frame for mobile hoist
- Hand switch fitted as standard on electric models
- Standard width 65cm upholstery

Optional Accessories

- 6001** Perimeter Foot Switch
- 6200** Single Foot Switch
- 6239** Dual Foot Switch Operation
- 6006** Upper Limb Support
- 6002** Side Support Rails
- 6002P** Side Support Rail Cushions
- 6005** Paper Roll Holder
- 6007** Removable Head/Knee Support
- 6053** Protective Base Shroud
- 6010** Couch Cover (Breathing Hole)
- 6011** Couch Cover (Without Breathing Hole)

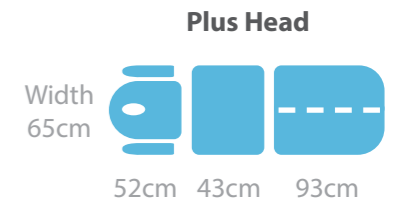
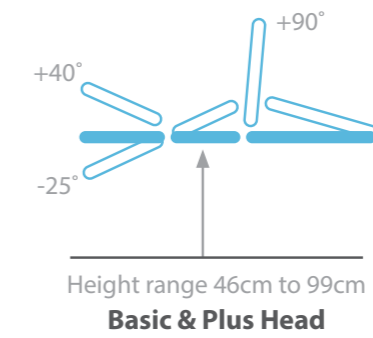
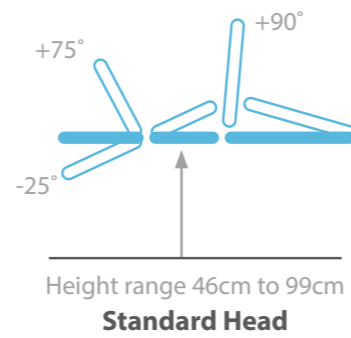
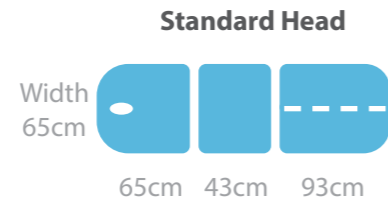
See page 48-55 for additional information on our range of optional accessories and colour options



Negative head/foot section to -90°



Couch in horizontal position



Therapy Deluxe Drainage Couch



The deluxe drainage couches have the same head section options as the standard 2 and 3 section therapy couches and also provides the option of having the backrest/foot section supplied in a split leg model for additional mobilisation techniques. The electric drainage facility can be operated on either side, via a simple push button hand switch mounted near the top frame. This facility provides angular adjustment to +25° at the hinge point of the of the mid and foot sections. The perimeter foot switch system is standard on these models.

Models

ST3547	Standard head design
ST3547S	Standard head design with split leg
ST3548	Basic head design
ST3548S	Basic head design with split leg
ST3549	Plus head design
ST3549S	Plus head design with split leg

Model ST3549S with plus head design and split leg. Colour dark blue



Standard Features

- Safe working load and lifting capacity of 240Kg (528lbs)
- Electric drainage facility to +25° between mid section and backrest
- Electric height operation via integral perimeter foot switch
- Excellent height range from 46cm to 99cm
- Adjustable angle backrest from horizontal to +90°
- Adjustable head section with positive and negative angle
- Power assisted backrest and head sections incorporate anti-trap design
- Choice of standard, basic or plus head design with adjustable armrests
- Choice of standard or split leg foot section
- Breathing hole and plug fitted as standard
- Retractable wheel design with adjustable foot for stability on uneven surfaces
- Purpose made precision bearings on all pivot points
- Standard width 65cm upholstery

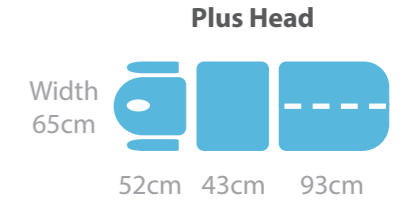
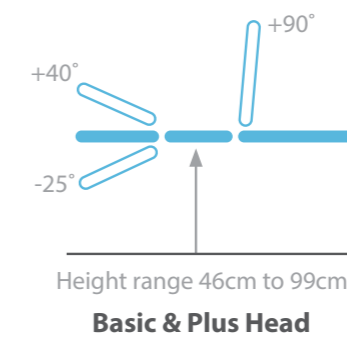
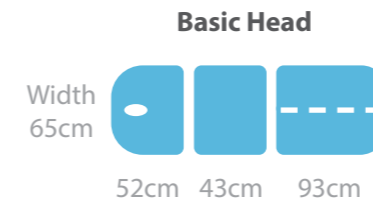
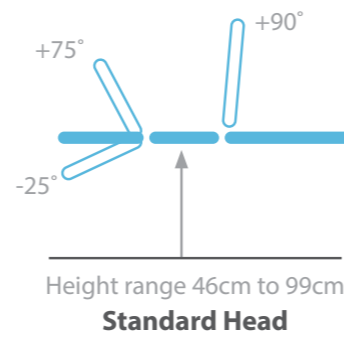
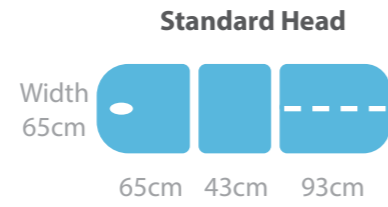
Optional Accessories

- 6005** Paper Roll Holder
- 6007** Removable Head/Knee Support
- 6053** Protective Base Shroud
- 6100** Matching Operators Chair

See page 48-55 for additional information on our range of optional accessories and colour



Couch in horizontal position



Therapy Deluxe Couch



A very strong and rigid couch with full length top frame for added stability. These models are available with a choice of three head section designs with the option of split leg facility and have the perimeter foot switch operation supplied as standard.

Models

ST3347	Standard head design
ST3347S	Standard head design with split leg
ST3348	Basic head design
ST3348S	Basic head design with split leg
ST3349	Plus head design
ST3349S	Plus head design with split leg

Standard Features

- Safe working load and lifting capacity of 240Kg (528lbs)
- Electric height operation via integral perimeter foot switch
- Excellent height range from 46cm to 99cm
- Adjustable angle backrest from horizontal to +90°
- Adjustable head section with positive and negative angle
- Power assisted backrest and head sections incorporate anti-trap design
- Choice of standard, basic or plus head design with adjustable armrests
- Choice of standard or split leg foot section
- Breathing hole and plug fitted as standard
- Retractable wheel design with adjustable foot for stability on uneven surfaces
- Purpose made precision bearings on all pivot points
- Standard width 65cm upholstery

Optional Accessories

- 6005** Paper Roll Holder
- 6007** Removable Head/Knee Support
- 6053** Protective Base Shroud
- 6100** Matching Operators Chair

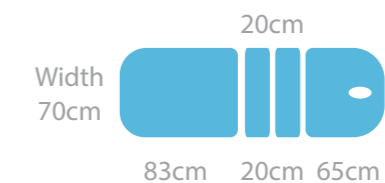
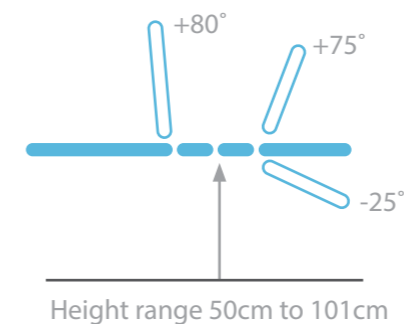
See page 48-55 for additional information on our range of optional accessories and colour options



Model ST3347 Colour light grey



Model ST3347S Negative head/foot section to -25°



Therapy Traction Table



The traction tables have been specially designed for lumbar and cervical traction. They feature an integral rolling top design to facilitate effective traction procedures. The tables are available separately with machine mount or as part of a package with traction machine, flexion stool, all harnesses and neck pillow.

Models

- ST6567** Electric traction table with machine mount
- ST6557** Hydraulic traction table with machine mount
- ST6567P** Electric traction package
- ST6557P** Hydraulic traction package

Standard Features

- Safe working load and lifting capacity of 240Kg (528lbs)
- Integral rolling top design to provide effective application of traction forces
- Adjustable height mount for traction machine with offset positioning for changing angle of traction application
- Adjustable angle backrest from horizontal to +80°
- Adjustable angle head/foot section from -25° to +75°
- Head section includes breathing hole and plug
- Power assisted backrest and foot sections incorporate anti-trap design
- Choice of hydraulic or electric height elevation
- Excellent height range from 50cm to 101cm
- Retractable wheel design with adjustable foot for stability on uneven surfaces
- Fixation point for optional cervical traction accessory
- Purpose made precision bearings on all pivot points
- Hand switch fitted as standard on electric models
- Standard width 70cm upholstery

Optional Accessories

- 6200** Single Foot Switch
- 6071** Cervical In Sitting Accessory
- 6046** Pelvic Lumbar Traction Harness
- 6047** Thoracic Harness
- 6048** Thoracic Anchor Straps
- 6049** Cervical Traction Head Halter
- 6067** Cervical Pillow
- 6069** Flexion Stool
- 6070** Spreader Bar
- 6237** Traction Accessory Package

See page 48-55 for additional information on our range of optional accessories and colour



Model ST6567P Electric traction package.
Colour dark blue



Model ST6567 Colour dark blue



ST6500

SM12 Traction Machine

A very versatile and easy to operate traction machine with both static and intermittent treatment modes. The SM12 Traction machine features variable speed control with clear displays of all treatment settings and is available separately or as part of a traction package with table and accessories.



ST6071

Cervical In-sitting Accessory



ST6069

Flexion Stool



ST6067

Cervical Pillow



ST6048

Anchor Straps (Pair)



ST6047

Thoracic Traction Harness



ST6046

Pelvic Traction Harness



ST6049

Cervical Traction Head Halter



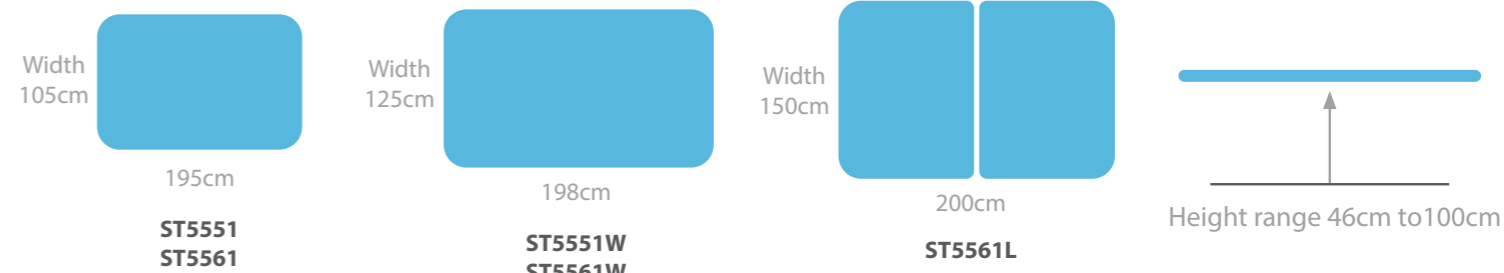
ST6070

Spreader Bar



ST6327

Traction Accessory Package
Full set of traction accessories, excludes SM12 Traction Machine and the ST6071 cervical in-sitting unit.



Therapy Mat Table



The Mat Therapy Tables are very similar to the Bobath models in terms of specification, but without the backrest facility. The single section top design provides a large and stable variable height support surface for a wide range of exercises and Bobath rehabilitation procedures.

Models

ST5551	Hydraulic width 105cm
ST5561	Electric width 105cm
ST5551W	Hydraulic width 125cm
ST5561W	Electric width 125cm
ST5561L	Electric width 150cm



Model ST5561W Colour atomium



Model ST5561W Shown with optional side support rails and cushions. Colour atomium

Standard Features

- Safe working load and lifting capacity of 250Kg (550lbs)
- Choice of widths available 105cm, 125cm or 150cm
- Choice of manual or electric height elevation on 105cm and 125cm models
- Excellent electric height range from 46cm to 100cm
- Retractable wheel design and adjustable foot for stability on uneven floors
- Purpose made precision bearings on all pivot points
- Clearance beneath frame for mobile hoist
- Hand switch fitted as standard
- Bariatric models with a safe working load of 325Kg are available upon request

Optional Accessories

- 6057** Battery Back-Up
- 6200** Single Foot Switch
- 6001XL** Perimeter Foot Switch
- 6074** Side Support Rails
- 6074P** Side Support Rail Cushions

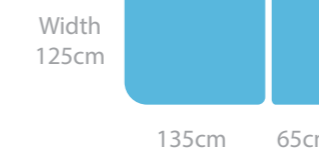
See page 48-55 for additional information on our range of optional accessories and colour options



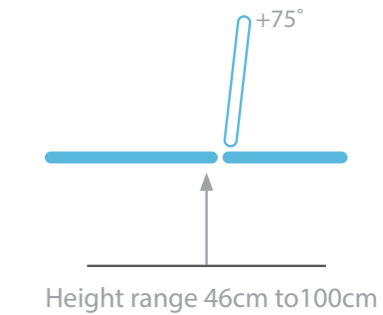
Model ST5551 Hydraulic mat table. Colour sky blue



ST4552
ST4562
ST4542



ST4552W
ST4562W
ST4542W



Therapy Bobath Couch



By tradition, Bobath treatment techniques require a suitably wide treatment surface with a safe and capable lifting capacity for both patient and therapist. The Bobath Therapy range of couches has more than achieved this with a choice of 2 sizes and higher than standard safe working load of 250Kg. See deluxe model for 325Kg safe working load.

Models

ST4552	Hydraulic with manual backrest 105cm
ST4562	Electric with manual backrest 105cm
ST4542	Electric with electric backrest 105cm
ST4552W	Hydraulic with manual backrest 125cm
ST4562W	Electric with manual backrest 125cm
ST4542W	Electric with electric backrest 125cm



Model ST4562 Shown with optional perimeter foot switch. Colour dark blue

Standard Features

- Safe working load and lifting capacity of 250Kg (550lbs)
- The power assisted backrest section incorporates anti-trap design gas strut
- Backrest angle adjustment from horizontal to +75°
- Choice of manual or electric height elevation
- Excellent height range from 46cm to 100cm
- Retractable wheel design with adjustable foot for stability on uneven floors and surfaces
- Purpose made precision bearings on all pivot points
- Clearance beneath frame for mobile hoist
- Hand switch fitted as standard on electric models
- Choice of widths available 105cm or 125cm

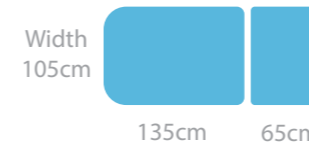
Optional Accessories

- 6004** Breathing Hole & Plug
- 6057** Battery Back-Up
- 6207** Double Foot Switch for Models ST4542/W
- 6001XL** Perimeter Foot Switch
- 6074** Side Support Rails
- 6074P** Side Support Rail Cushions

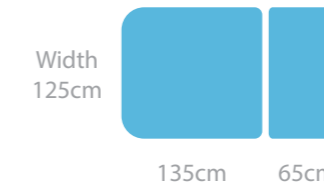
See page 48-55 for additional information on our range of optional accessories and colour options

Model ST4562 Shown with optional perimeter foot switch in low patient transfer height.

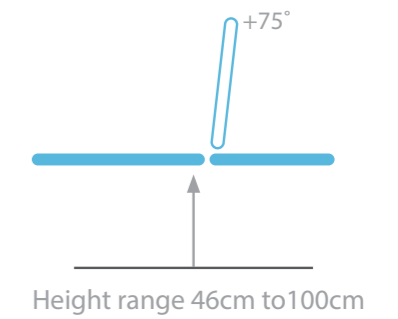




ST4642



ST4642W



Therapy Deluxe Bobath Couch



The top of the range Deluxe Bobath couch has a safe working load and lifting capacity of 325Kg (715lbs). This model features electric height and backrest operation and has large central locking castors with steering facility for ease of movement. There are a wide range of specific accessories available to further enhance this model.

Models

- ST4642 Electric with electric backrest 105cm
- ST4642W Electric with electric backrest 125cm

Standard Features

- Safe working load and lifting capacity of 325Kg (715lbs)
- Electric height operation
- Electric backrest operation to +75°
- Large central locking castors with steering control
- Excellent height range from 46cm to 100cm
- Purpose made precision bearings on all pivot points
- Clearance beneath frame for mobile hoist
- Dual hand switch fitted as standard

Optional Accessories

- 6004 Breathing Hole & Plug
- 6057 Battery Back-Up
- 6239 Double Foot Switch
- 6001XL Perimeter Foot Switch
- 6074 Side Support Rails
- 6074P Side Support Rail Cushions
- 6041 Side Support Loops
- 6012 Upper and Lower Limb Support
- 6013 Patient Support Loops

See page 48-55 for additional information on our range of optional accessories and colour options



Model ST4642 Deluxe bobath 105cm, shown with optional side support rails and cushions. Colour lollipop



Model ST4642 with optional side support rails and hand support loops. Colour light grey 105cm wide



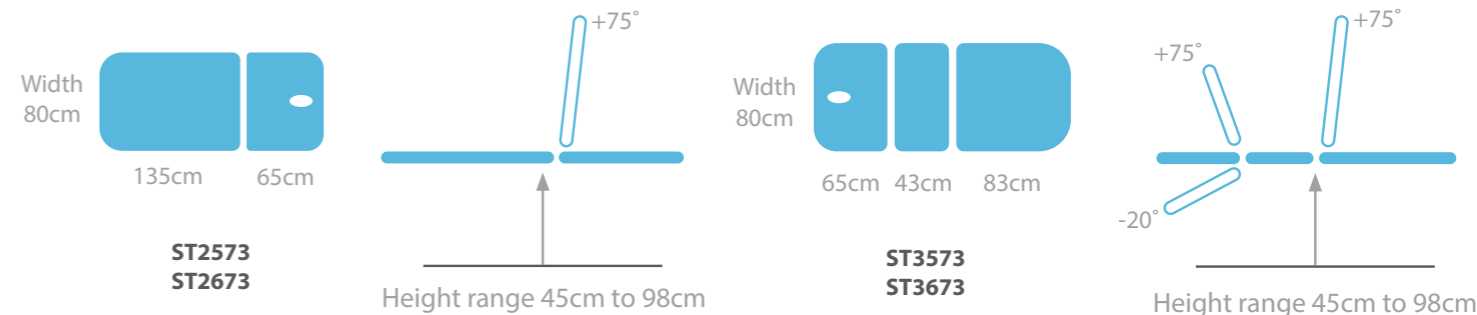
Model ST4642 with optional side support rails and patient limb support. Colour light grey 105cm wide



Model ST4642 with optional side support rails and hand support loops. Colour light grey 105cm wide



Model ST4642 with optional side support rails and patient limb support. Colour light grey 105cm wide



Therapy Bariatric 2 Section Couch



The Bariatric 2 Section Couch has a safe working load and lifting capacity of 325Kg (715lbs). Available with either a retractable wheel system or large central locking castors with steering facility. These models have a width of 80cm and the breathing hole and plug is fitted as standard.

Models

- ST2573** Electric with electric backrest
Retractable wheels
- ST2673** Electric with electric backrest
Large central locking castors with steering facility
- ST6207** Dual foot switch option



Model ST2573 Bariatric 2 section with retractable wheel system. Colour dark blue

Therapy Bariatric 3 Section Couch



The Bariatric 3 Section Couch features electric height operation, head/foot section and backrest angle adjustment with a safe working load and lifting capacity of 325Kg (715lbs). Available with either a retractable wheel system or large central locking castors with steering facility. These models have a width of 80cm and the breathing hole and plug comes fitted as standard.

Models

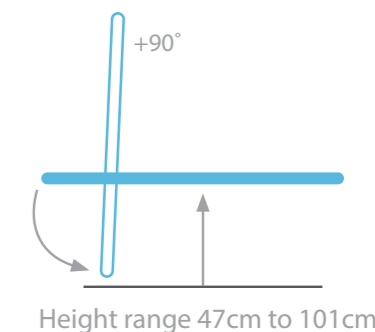
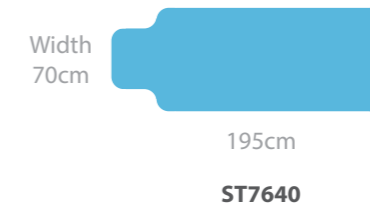
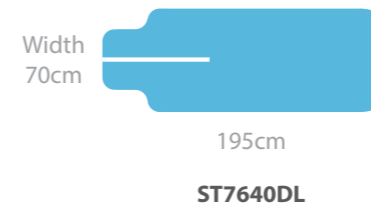
- ST3573** Electric with electric backrest and head/foot section. Retractable wheels
- ST3673** Electric with electric backrest and head/foot section. Large central locking castors with steering facility
- ST6209** Triple foot switch option



Central locking castors



Model ST3573 Bariatric 3 section with retractable wheel system. Colour light grey



Economy Tilt Tables



These entry-level tilt tables have been designed to for a wide range of rehabilitation, assessment and examination procedures. For central locking castors, and a worktable included, see the Standard Tilt Table models. The new Tilt Table Pro also features a new Emergency Override mechanism to return the patient to horizontal in a matter of seconds.

Models

- ST7640** Economy tilt table
- ST7640DL** Economy tilt table (Divided leg)



Individually adjustable dual foot boards



Model ST7640.
Colour sky blue

Standard Features

- Safe working load and lifting capacity of 225Kg (495lbs)
- 125mm individually braking castors
- Electric height and tilting operation with hand switch control
- Adjustable angle dual foot boards +15° to -30° (4 Positions)
- Height range of 47cm to 101cm
- Tilting angle from horizontal to +90°
- Lowers to wheelchair height for ease of patient transfer
- Tilt angle inclinometer fitted as standard
- Purpose made precision bearings on all pivot points
- Clearance beneath frame for mobile hoist
- Supplied with patient handgrips and set of harnesses
- 70cm wide Easy Clean Upholstery fitted as standard

Optional Accessories

- 6057** Battery Back-Up
- 6058** Lateral Supports (Pair)
- 6059** Adjustable Pommel Support*
- 6007** Head Support Cushion
- 6062** Standard Harness Set
- 6063** Dual Leg Harness Set*
- 6064** Pair Dual Knee Harnesses*
- 6065** Standard Harness (Wide)
- 6066** Standard Harness (Narrow)
- 7648** Adjustable Work Table

* (will fit ST7640DL only).



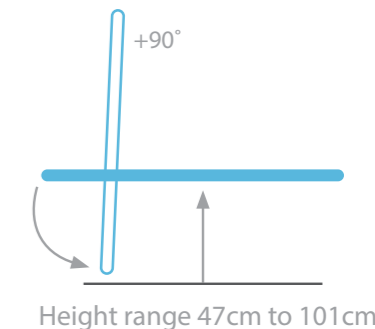
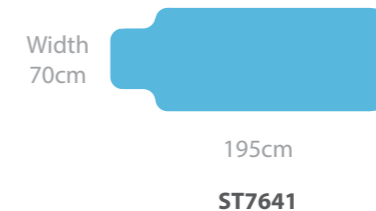
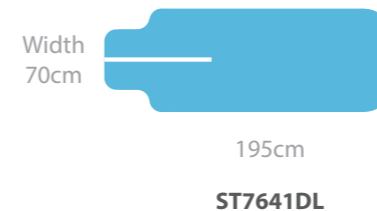
Angle inclinometer



Individually braked castors.
Models ST7640 & ST7640DL



Model ST7640 in horizontal position.
Colour sky blue



Standard Tilt Tables



These excellent Tilt Tables have been designed to meet the requirements of a wide range of applications for rehabilitation, assessment and examination procedures. Available with the option of "divided leg design" which provides individual harness security for the lower limbs, and options of pommel and leg stabilisers. These models feature central locking castors with steering facility and include the adjustable work table, which is an option on economy models. All models are supplied with individually adjustable foot boards, patient handgrips and harnesses.

Models

- ST7641** Standard tilt table
- ST7641DL** Standard tilt table (Divided leg)



Individually adjustable dual foot boards
(Shown on Economy model)



Model ST7641.
Colour sky blue

Standard Features

- Safe working load and lifting capacity of 225Kg (495lbs)
- Large mobile wheel design, with central locking and steering facility
- Electric height and tilting operation with hand switch control
- Adjustable angle dual foot boards +15° to -30° (4 Positions)
- Height range of 47cm to 101cm
- Tilting angle from horizontal to +90°
- Lowers to wheelchair height for ease of patient transfer
- Tilt angle inclinometer fitted as standard
- Purpose made precision bearings on all pivot points
- Clearance beneath frame for mobile hoist
- Supplied with patient handgrips and set of harnesses
- Worktable supplied as standard
- 70cm wide Easy Clean Upholstery fitted as standard

Optional Accessories

- 6057** Battery Back-Up
- 6058** Lateral Supports (Pair)
- 6059** Adjustable Pommel Support*
- 6007** Head Support Cushion
- 6062** Standard Harness Set
- 6063** Dual Leg Harness Set*
- 6064** Pair Dual Knee Harnesses*
- 6065** Standard Harness (Wide)
- 6066** Standard Harness (Narrow)

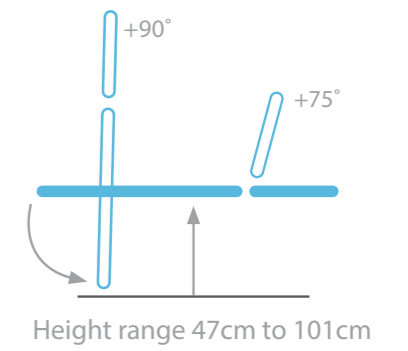
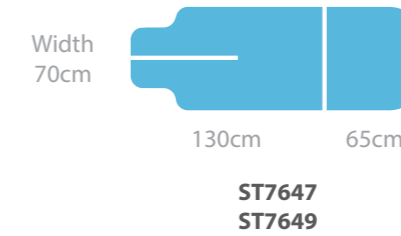
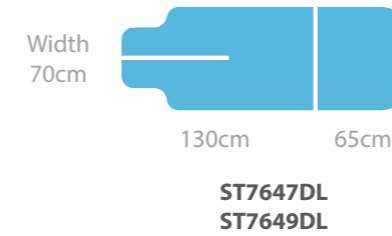
* (will fit ST7641DL only).



Central locking castors



Model ST7641DL Divided leg model with optional pommel and lateral supports. Colour light grey



Multi-Purpose Tilt Table



These versatile tilt tables feature a 2 section top, incorporating an adjustable backrest to meet a wide range of applications. Available with the option of "divided leg design" both models feature a large mobile wheel design with steering facility and have the standard benefits of dual adjustable foot boards, patient handgrips, adjustable worktable and a full set of harnesses. There is also a wide choice of optional accessories available to choose from.

Models

- ST7647** Multi-Purpose Tilt Table with Gas Assisted Backrest
- ST7647DL** Multi-Purpose Tilt Table with Gas Assisted Backrest (Divided Leg)
- ST7649** Multi-Purpose Tilt Table with Electric Backrest
- ST7649DL** Multi-Purpose Tilt Table with Electric Backrest (Divided Leg)



Model ST7647. Colour sky blue

Standard Features

- Safe working load and lifting capacity of 225Kg (495lbs)
- Large wheel design, with central locking & steering facility
- Adjustable angle backrest facility with anti trap design 0° to +75°
- Electric height and tilting operation with hand switch control
- Adjustable angle dual foot boards +15° to -30° (4 Positions)
- Height range of 47cm to 101cm
- Tilt table angle ranges from horizontal to 90°
- Lowers to wheelchair height for ease of patient transfer
- Tilt angle inclinometer fitted as standard
- Purpose made precision bearings on all pivot points
- Clearance beneath frame for mobile hoist
- Supplied with patient worktable, handgrips and set of harnesses

Optional Accessories

- 6057** Battery Back-up
- 6058** Lateral Supports (Pair)
- 6059** Adjustable Pommel Support*
- 6007** Head Support Cushion
- 6062** Standard Harness Set
- 6063** Dual Leg Harness Set*
- 6064** Pair Dual Knee Harnesses*
- 6065** Standard Harness (Wide)
- 6066** Standard Harness (Narrow)

* (will fit Divided Leg version only)



Angle inclinometer



ST7647DL Divided leg model



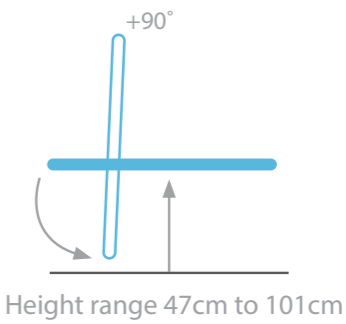
Model ST7647 in horizontal position with backrest adjusted to +75°

Width
70cm



158cm

ST7650
ST7651



Paediatric Tilt Table



Specifically designed to cater for children of all ages through to young adults, these variable height tilt tables feature a divided leg design as standard and a wide footboard with fixation facility for securing the feet. The table is supplied with handgrips, a set of harnesses, pommel and pelvic supports for additional patient security. An adjustable angle work table is available as an option.

Models

- ST7650** Paediatric Tilt Table with individually braking castors
- ST7651** Paediatric Tilt Table with central locking castors



Model ST7651 Colour sky blue



Model ST7651 Colour sky blue

Standard Features

- Safe working load and lifting capacity of 200Kg (440lbs)
- Individually braking castors on ST7650
- Large wheel design, with central locking and steering facility on ST7651
- Electric height and tilting operation via hand switch control
- Height range of 47cm to 101cm
- Tilt angle from horizontal to 90°
- Dual leg fixation with adjustable height pommel for additional patient support
- Adjustable pelvic/lateral supports for stabilisation
- Wide footboard with feet fixation points, straps included
- Lowers to wheelchair height for ease of patient transfer
- Tilt angle inclinometer fitted as standard
- Purpose made precision bearings on all pivot points
- Clearance beneath frame for mobile hoist
- Supplied with patient handgrips and set of harnesses
- 60mm upholstery incorporating memory foam membrane for added comfort

Optional Accessories

- 6057** Battery Back-Up Facility
- 6007** Head Support Cushion
- 6063** Dual Leg Harness Set
- 7648** Adjustable Angle Work Table

See page 48-55 for additional information on our range of optional accessories and colour options



7648 Optional Adjustable Work Table



Model ST7651 in horizontal position

Width
65cm



130cm

Small

Width
65cm



152cm

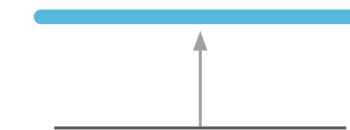
Medium

Width
65cm



186cm

Large



Height range 41cm to 94cm

Therapy Large Hygiene Table



For environments such as special schools, where many of the children require regular hygiene attention, these variable height tables provide not only a low transfer height but quick and simple adjustment to the correct height for changing procedures, reducing back and postural problems for support staff. Standard width 65cm. Wider models also available. All large models are 186cm long.

186cm Models

- ST1551A** Hydraulic with retractable wheels
- ST1561A** Electric with retractable wheels
- ST1651A** Hydraulic with central locking castors
- ST1661A** Electric with central locking castors



Model ST1551A Shown with optional side support rails.



Model ST1551A Large hydraulic model, shown with retractable wheels and optional side support rails and cushions. Colour lotus green

Therapy Small & Medium Hygiene Tables



The small model has a length of 130cm or 152cm and like the standard models is available with a choice of either retractable wheel system or large wheel design which features central locking castors and steering facility.

152cm Models

- ST1551B** Hydraulic with retractable wheels
- ST1561B** Electric with retractable wheels
- ST1651B** Hydraulic with central locking castors
- ST1661B** Electric with central locking castors

130cm Models

- ST1551C** Hydraulic with retractable wheels
- ST1561C** Electric with retractable wheels
- ST1651C** Hydraulic with central locking castors
- ST1661C** Electric with central locking castors



Model ST1551C low transfer height. Colour zest



Model ST1551C Small hydraulic model with retractable wheel design. Colour zest



Central locking castors

Width
74cm



160cm

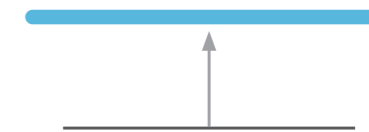
Junior

Width
74cm



195cm

Standard



Height range 41cm to 94cm

Shower Trolley



Designed to provide transport to and from the showering area, these mobile hydraulic Shower Trolley's feature a foam padded PVC liner for added patient comfort, a linked wheel system with central locking and steering facility, as well as fold down side support rails for patient transfer. The new Junior model has an overall length of 160cm and both the Standard and Junior models are available with a rechargeable battery option as an alternative to the hydraulic height operation.

Models

ST7700	Standard hydraulic
ST7800	Electric with Rechargeable battery
ST7600	Junior hydraulic
ST7500	Junior electric with Rechargeable battery

Model ST7800 Electric model with rechargeable battery shown at mid height



Charger unit

Standard Features

- Safe working load and lifting capacity of 240Kg (528lbs)
- Large wheel design, with central locking and steering facility
- Hydraulic height adjustment 41cm to 94cm via foot pedal
- Rechargeable battery models 41cm to 94cm via hand switch
- Battery operated models include a spare battery pack and charging unit
- Foam padded PVC liner with side supports and end panels for comfort and security
- Supplied with foam padded PVC patient support cushion
- The side support rails fold down to assist patient transfer
- Low gradient tilt towards foot end for water drainage via integral waste outlet
- Plug and drain hose supplied complete with storage bracket
- Bumpers fitted to all corners for protection during transport procedures
- Bumpers can be removed to reduce the width to 65cm to access tight doorways
- Lowers to wheelchair height for ease of patient transfer
- Purpose made precision bearings on all pivot points
- Clearance beneath frame for mobile hoist
- Choice of junior or standard models

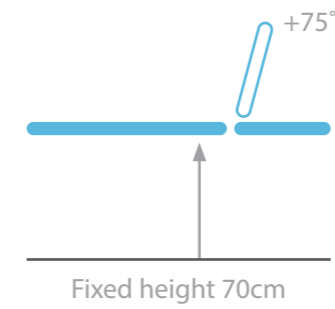
Optional Accessories

- 6093** Replacement PVC liner
- 6094** Replacement Patient PVC Cushion
- 6092** Replacement Battery Pack

Model ST7700 Standard hydraulic model at low height for patient transfer



Model ST7700 Standard hydraulic model



Width
65cm



124cm

70cm

Therapy Fixed Height Couch



The fixed height therapy couch features an extremely strong and rigid design, providing maximum patient comfort throughout all treatment with a safe working load of 240Kg (528lbs). The couch has a fully adjustable backrest, that raises from horizontal to +75° with gas strut operation. A paper roll holder, breathing hole and plug for prone treatments, are all available at an additional cost. There is an adjustable foot for added stability on one of the couch legs. The couch is supplied flat packed to reduce shipping and delivery costs.

Model

ST2700	Fixed height couch
6004	Breathing hole & plug
6005	Paper roll holder



Model ST2700 Fixed height couch
with backrest partly raised

Therapy Fixed Height Couch with Drawers



A really strong and rigid couch with full length storage shelf and two storage drawers. The couch frame is powder coated for durability and has an adjustable foot on one leg for added stability. The backrest is fully adjustable by locking gas strut and a paper roll holder and breathing hole and plug are available as options. There is a wide choice of colours available, see page 55.

Models

ST2702D	Fixed height couch with storage shelf and two drawers
6004	Breathing hole & plug
6005	Paper roll holder



Model ST2702D with optional
breathing hole and plug

Therapy Chairs & Stools



6103

Standard & High Operators Stools
Standard model with height range of 48cm to 60cm. Various colour options to choose from. See page 55 for all colours

6104

High model with height range of 59cm to 84cm. Fitted with foot support ring and glides for added stability as standard. Various colour options to choose from. See page 55 for all colours.



6100

Standard Operators Chair
Standard model with height range of 48cm to 60cm. Various colour options to choose from. See page 55 for all colours



6101

High Operators Chair
High model with height range of 59cm to 84cm. Fitted with foot support ring and glides for added stability as standard. Various colour options to choose from. See page 55 for all colours.



6109

Mobile Therapy Stool
Height range of 48cm to 60cm. Various colour options to choose from. See page 55 for all colours.



6107

Deluxe Saddle Chair
Height range of 54cm to 71cm with seat tilt facility. Various colour options to choose from. See page 55 for all colours.

9123

Optional backrest for the above model.



6144

Economy Saddle Stool
Height range of 48cm to 60cm. Various colour options to choose from. See page 55 for all colours.

Optional Couch Accessories



6015

Therapy Positioning Wedge

A medium density foam wedge for positioning patients. Available in all **SEERS** vinyl fabrics. The wedge dimensions are 54cm wide, with a base length of 48cm and side tangents of 32cm and 38cm.



6016

Roll Support Set

The set comprises of a single roll 30cm long, with a 15cm diameter and a roll 30cm long with a diameter of 20cm that is made up of two half sections. Available in all **SEERS** vinyl fabrics



6016L

Long Support Roll

A medium density foam roll with a choice of **SEERS** vinyl fabrics to match any couch. The long support roll dimensions are 60cm long with a diameter of 15cm.



2705

Face Support Ring

Face support ring for prone treatments. Available in all **SEERS** upholstery colours.



6001

Perimeter Foot Switch

The electric perimeter foot switch provides hands free height operation at any point around the length and width of the treatment couch. This system requires light foot pressure on top or beneath the perimeter bar at any point around the couch to activate the height operation. This is ideal for therapists carrying out various manipulation and mobilisation procedures.

6001XL

Electric perimeter foot switch for Bobath and Mat Table models.



6010

Couch Cover with Breathing Hole

These made to measure stretch towelling covers provide an additional hygiene barrier between the patient and the upholstery surface, over time lengthening the life of the couches upholstery



6011

Couch Cover without Breathing Hole

All covers have elasticated edges and two tie straps for general fitting and security. The covers are available in various colours: Royal Blue, Black, Cream, White and Lavender.



Optional Couch Accessories



6007
This half moon shaped support is ideal for supporting the head, neck or lower limb during specific treatments.



6057
Battery back-up available for most electric operated models.



6200
Single foot switch option.



6239
Pair of single foot switches for dual operation.




6207
Double foot switch option (alternative to standard double hand switch).




6002 & 6003
Fold-down side support rails for 2 & 3 section couches, providing patient support and security.



6002P & 6003P
Upholstered cushions can be added to the side support rails for additional comfort, support and protection.



6053
An easy to clean moulded base shroud that covers all the moving parts of the base frame.



6005
The paper roll holder provides a protective barrier between the patient and the upholstered surface.

If you have any queries on any of the optional accessories listed above please contact us for further details. Please note some of the accessories are supplied as standard with specific couches so please ensure you check before purchasing your chosen product as all other options come at an additional cost.

Standard Colour Range

A very hard wearing vinyl that will retain its performance for many years. Abrasion Resistance to 150,000 cycles.



Other colours are available on request

Please Note: The illustrated vinyl colours may vary slightly from actual vinyl supplied. This occurs due to the four colour printing process. However every attempt has been made to make them as accurate as possible.