

INDEX

Pressotherapy and sessions	2
Control unit and suit	3
Programmes and inflation sequences	4
Tube connections, technical specifications and spare parts	5
WEB information	6

Pressotherapy with U-Tech from Weelko

Cellulite? Dimply skin? **Stretch marks?** Blood flow problems? Localised swelling? Muscular and articulation problems? **Constipation? Postpartum care?** Lymphatic problems? Oedemas? Liquid retention? **After and before liposuction treatments?** Menopause? Flaccidity? Overweight? Fatigue ?

Define your figure with U-TECH, F-826

Pressotherapy equipment composed of a digital control unit with a LCD screen and a suit consisting of legs, abdomen and arms.

Our technical ZOOM presents you all the special features and offers you the opportunity of knowing in great depth our equipment. The pressotherapy is put in the Weelko spotlight. Discover its inside.



THE PRESSOTHERAPY

About the lymphatic system

One of the lymphatic system functions is carrying toxins and fat to the organs in charge of eliminating them. The lymphatic system fluid (lymph) flows thanks to the pressure generated by the muscle contraction once moving, specially the respiratory movements of the thoracic cavity and the pressure coming from the arterial rhythmic impulses. Sometimes the body is blocked or the natural body pressures are not enough for draining the liquids. The pressotherapy helps the body to make this process in these cases.

What is the pressotherapy treatment?

The pressotherapy is a therapeutic treatment that is presented as an alternative to the manual lymphatic drainage. It is based on pressure applied on legs, abdomen and arms with the aim of activating the return blood flow and in consequence contributing to the oedema and the tissue liquid absorption.

What does it consist of?

A compression system controlled by a control unit that blows air into the different parts of the suit in which the parts of the body to treat are introduced (legs, abdomen and arms).

Which are the effects?

- Contributes to the return, lymphatic and venous circulation.
- Stimulates the interstitial liquids absorption.
- Improves the lymphatic drainage acting on lymphatic vases and ganglions.
- Provides an analgesic and relaxing effect once the oedemas are reabsorbed.
- Produces general well-being and relaxation.

What is it appropriate for?

- Treatments against lymphatic problems
- Oedema
- Cellulite and dimply skin
- Prevention from varicose veins and its symptoms (swollen and tired legs, liquid retention, oedema, etc.). Also swollen legs during the pregnancy period
- Cellulite prevention
- Bad peripheral liquid circulation
- Stretch marks
- Physiotherapy
- Constipation
- Postpartum care
- Neurological illnesses (hemiplegia, paraplegia, etc.)
- After a liposuction, as a post-operative treatment
- Muscular and articulation problems
- Menopause
- Localised swelling

Which are the contraindications?

- Blood pressure problems
- Varicose veins
- Ulcers
- Superficial vein inflammation and phlebitis.
- Infections
- Lymphangitis (lymphatic vessel inflammation)
- Cardiovascular dysfunction
- Tendency to thrombus appearance
- Heart or kidney failure and shortage of breath
- Pregnancy (only on the abdomen part)
- Asthma
- Inflammatory arthritis
- Neoplasm (abnormal growth of the cellules on the tissues)
- Acute inflammation

TREATMENT (SESSIONS)

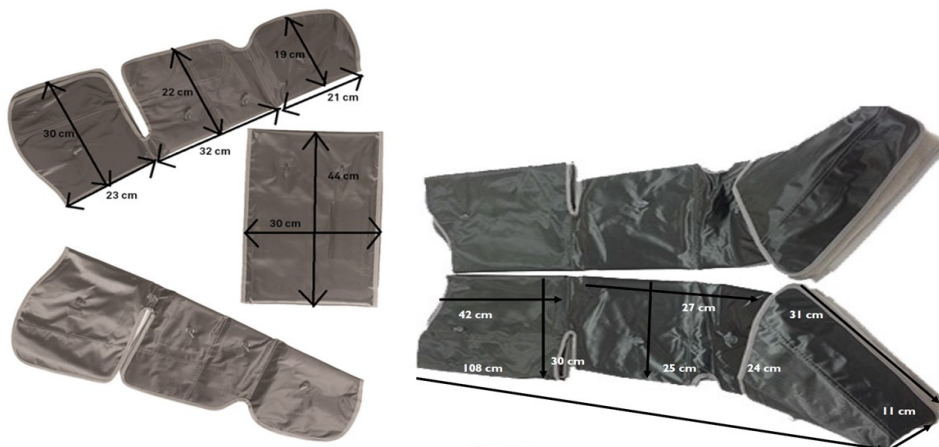
- An standard pressotherapy treatment consists of 8 sessions with a rest period of 7 days. Each session can last between 20 or 40 minutes and the results can be noticeable from the 4th or 5th session. This treatment can be applied at any time of the year.

CONTROL UNIT AND SUIT



LCD screen

Dimensions: 41x17/24x13 cm
 Maximum time.: 60 minutes
 Energy levels: from 1 to 10



REMARK

- Always use a single-use paper suit underneath in order to guarantee a perfect hygienic condition in each session.

INFLATION PROGRAMMES AND SEQUENCES

MODE A:

The programme is thought for giving a lymphatic drainage massage as a physiotherapist would do. It is used for heavy legs and relaxing massages. The inflation process is gradually and slowly performed.

Inflation sequence: After having chosen the area to be treated by the SELECT button (whole body, legs and arms or abdomen), the different sections will start inflating from the ends. The parts marked with an A will start working, after that the parts B, C and D will gradually and slowly work. Each section is filled with air in 8 seconds. After that, the air is expelled and circulates twice. Afterwards, every section is filled with air in 8-second continuous sequences at the same time.

MODE B:

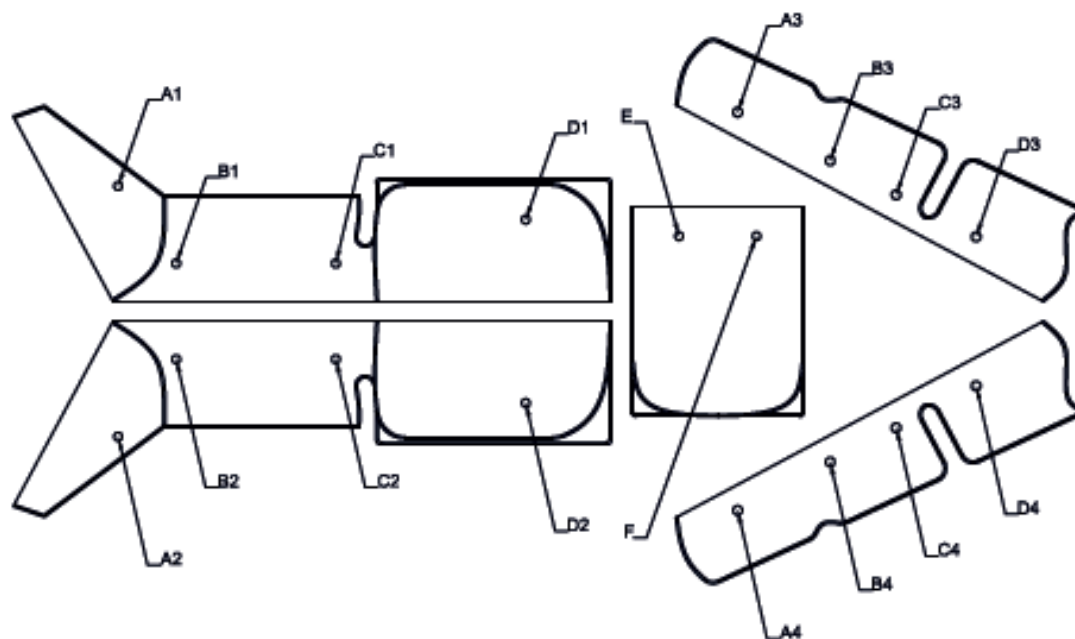
This programme is used for treating the liquid retention and preventing the cellulite. The sections are inflated quicker than the mode A.

Inflation sequence: After having chosen the area to be treated by the SELECT button (whole body, legs and arms or abdomen), the different sections will start inflating from the ends. The parts marked with an A will start working, after that the parts B, C and D will start working in a quick mode.

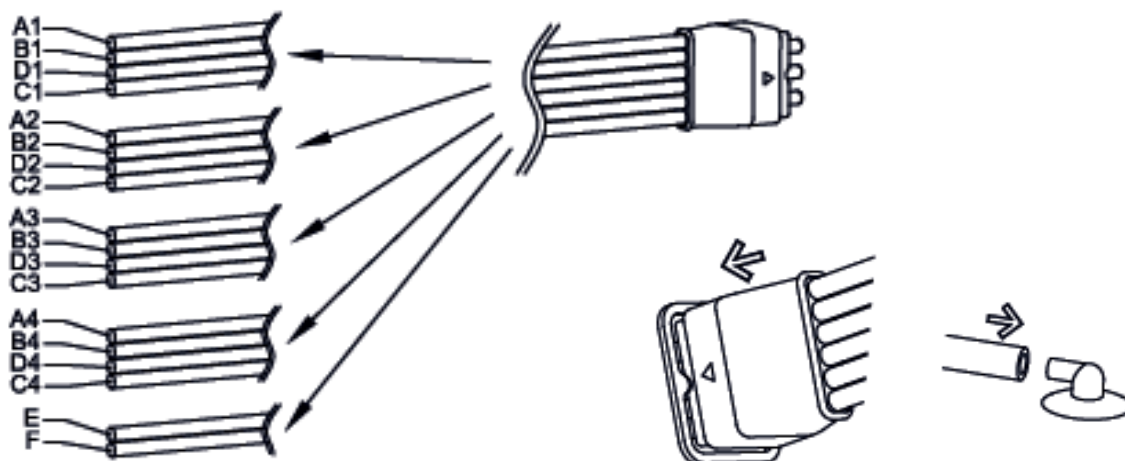
MODE C: Combined programme

Inflation sequence: Alternating inflation

- 1.– Firstly, it starts the section A compression (feet and hands).
- 2.– Section C inflation (forearm and calf).
- 3.– Lower part of the abdomen inflation (E).
- 4.– Section B inflation (wrist and ankle).
- 5.– Section D inflation (femur and biceps).
- 6.– The cycle finishes with the inflation of the upper part of the abdomen (E).



TUBE CONNECTION



TECHNICAL SPECIFICATIONS

Pressure in mmHg	195-240 mmHg	
Pressure in bar	0,26-0,32 bar	
Dimensions and weight	Packing size (cm)	61x45x15,5
	Product size (cm)	41*17/24*13
	Gross weight (kg)	12
	Net weight (kg)	14
Working parameters	Power	75 W
	Pressure	0,32 bar
	Programmed time by default	15 min
Technical specifications	Voltage	220V—240V
	Frequency	50 Hz/60Hz
	Rated power	75 W

SPARE PARTS

N.	PRODUCT	REFERENCE
1	Right boot	40001-1
2	Left boot	40001-2
3	Right arm	40001-3
4	Left arm	40001-4
5	Waist	40001-5
6	Tubes	40001-6

WEB INFORMATION



Visit our **TECHNICAL ZOOM** and download all the technical and commercial information that you may need. Pictures, dossiers, technical sheets, etc. Do not miss them.

General Catalogue

Dossiers

Spare Parts

Beauty

Spa

Physiotherapy

Podiatry

Essential Equipment



Turn on the **WEELKO TV** in weelko.com. The best way to learn how to use our equipment. Because a picture is worth a hundred words!



Presoterapia Weelko



Weelko en STS Beauty Barcelona 2013



Microdermoabrasión Weelko

