

INDEX

Description	2
Performances	3
Options and versions	4
Technical sheet	6
Web information	8

Rediscover the concept of versatility with the new **TEMPO**



Find out all the details and performances of a multidisciplinary chair that will help your patients feel like in the clouds.

Discover the **Tempo** chair and its multiple versions inside.

Description

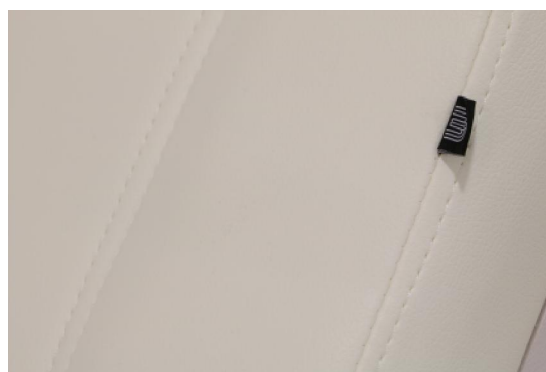
The multi-purpose chair Tempo has been specially conceived for pampering your patients and pampering yourself. The built-in button panels, the rotating system and the Trendelenburg position turn it into much more than a beauty chair. Enjoy the comfort in any treatment, either facial, on the neckline or on the whole body. And get to know its multiple versions for pedicure treatments.

This rounded-outline chair makes any centre into a very elegant one. It is about a 3-section chair that consists of 3 or 4 motors to adjust height, backrest inclination and the tilt of the whole chair.

The leg rest can be adjusted by means of a gas spring or a motor, depending on the model.



The upholstery of the chair is made of white or grey PU of high quality.



Performances

The standard hand controller, the built-in button panels or the foot controller (optional) allow adjusting all the movements of the chair.



The great height stroke (from 60 cm to 90 cm) eases the access of the patients.

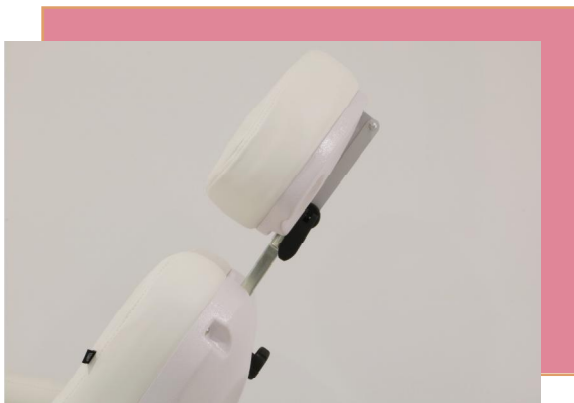


The rotating system allows a spin of 240° and the blocking in any point of the spin.



The button panels built in the backrest, the leg rest and in both sides of the seat allow a complete control of all the functions from any point of the chair.





The headrest includes a facial hole to offer greater comfort to the patient in face-down treatments. In addition, it can be adjusted in height and inclination to perfectly adapt to people of any height.



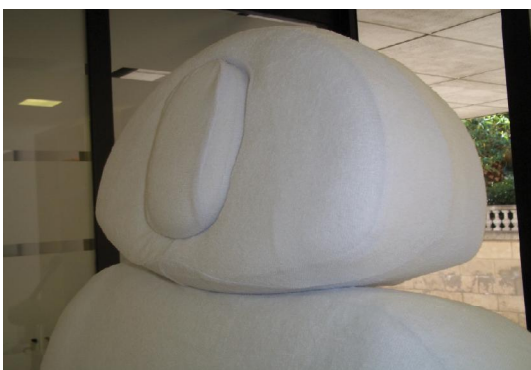
The reclining and removable armrests provide well-being in face-down positions.

Options

MEMORY POSITION

Place the chair into entrance position, way-out position...or into the one you desire!

With the memory position, you will be able to store up to three different positions and get it back by pressing a single button.

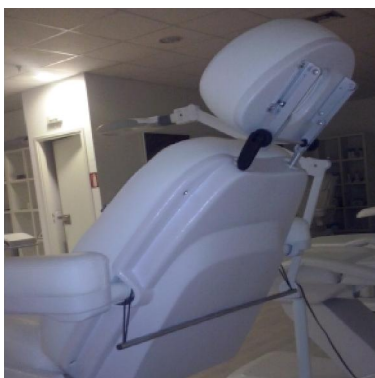


COVER FOR THE CHAIR

Protect your chair with a 6-piece cover specially designed for the Tempo model.

RUBBER WHEELS

To ensure the movement of the chair, Weelko offers rubber wheels with braking system and spinning up to 360°.



ROLL HOLDER

Equip your chair with a roll holder to ensure the corresponding hygienic measures according to the treatment.

Versions

And if you prefer separated leg rests adjustable by means of gas springs or completely motorised, ask for the **TARSE** model.

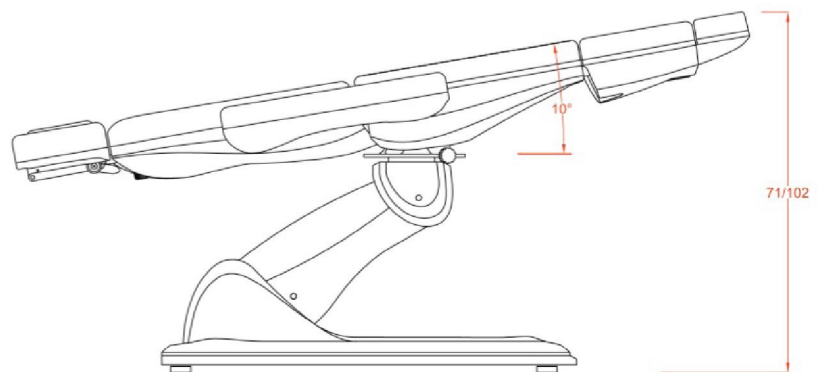
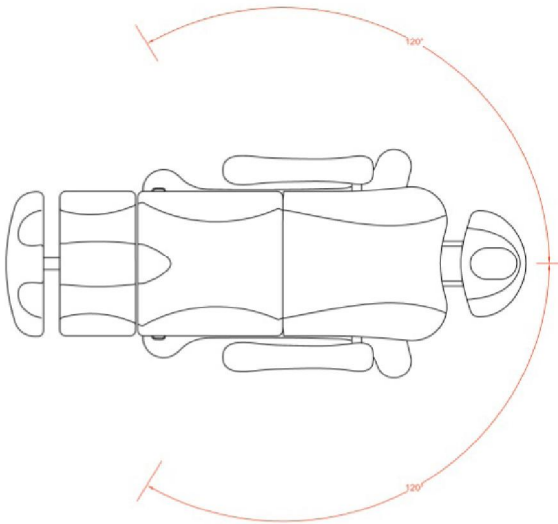
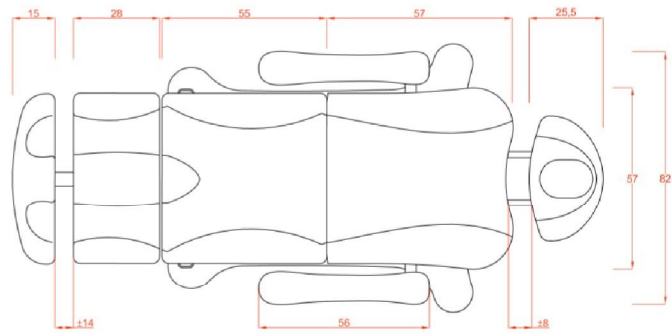
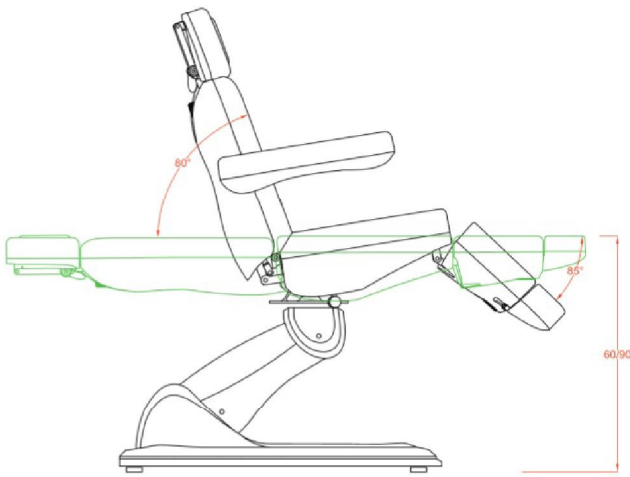


Technical sheet

Height	60/90 cm
Width (with/without armrest)	82/57 cm
Total length	186 cm
Base measurements	105/63 cm
Mattress thickness	9 cm
Mattress density	25 g/cm ³
Backrest inclination	0°~+80°
Legrest inclination	0°~-85°
Seat inclination	0°~+10°
Trendelenburg (min./max. height)	Yes (71/102)
Facial hole	Yes
Headrest regulation	Yes, extendable (±8 cm) and inclination
Footrest regulation	Yes (±14 cm)
Seat rotation	Yes, 240° with brake system
Maximum load	180 kg
Upholstery	PU
Number of motors	3 or 4
Hand controller and built-in button panel	Yes (included as standard)

TECHNICAL DATA

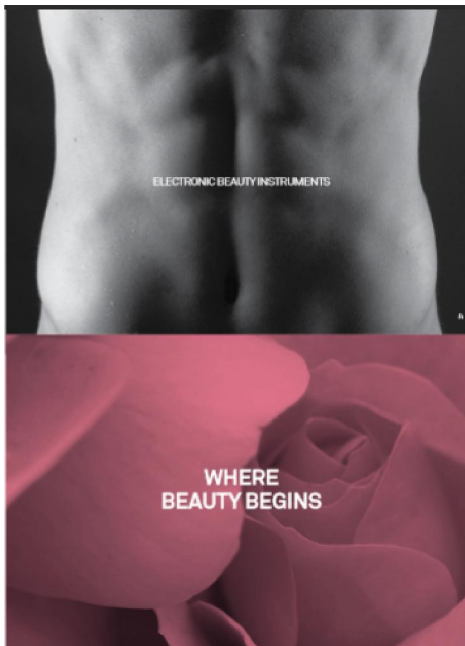
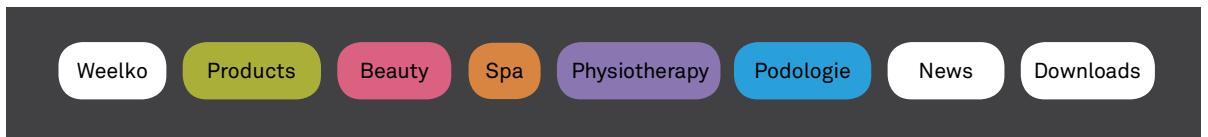
Reference	2246 / 2246B
Voltage	220 V/240 V
Frequency	50/60 Hz
Consumption	0,12 kWh
Net weight	82 kg
Gross weight	95 kg
Packing size	136x84x64 cm





Visit our TECHNICAL INFO and download all the technical information that you may need. Pictures, dossiers, technical sheets, etc. Do not miss them!

Dossiers | Technical Zoom



Turn on the WEELKO TV at weelko.com and you will discover the Weelko products close up. Because a picture is worth than a hundred words!



vimeo

You **Tube**



Presoterapia Weelko



Demo sillón de spa Caln



Microdermabrasion Weelko

weelko.com

Barcelona
Pol. Ind. La Valldan
Camí de Garreta, 92
08600 Berga
Barcelona – Spain
T. +34 93 824 90 20