

INDEX

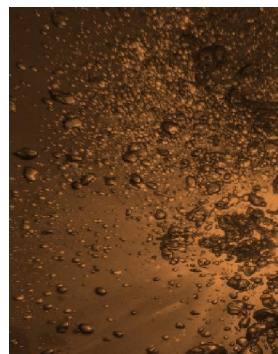
Description	2
Performances and adjustments	3
Options	5
Technical sheet	7
Video and web information	8

Get rid of tension with **TENSOR**

Stress? **Anxiety?** Tiredness? **Bad circulation?** Muscle aches? **Fluid retention?**

Discover all the details and performances of the table that allows combining the relaxing benefits of SPA with the treating of minor aches.

Discover the SPA table **Tensor** on the inside.



Description

The table Tensor has been specially designed to carry out full-length treatments and it perfectly fits in wellness and spa spaces. An elegant and minimalist-looking table offers a maximum comfort for the patient thanks to its soft single-block mattress of 13 cm thick. The rounded padding and the upholstery touch convey a sense of relaxation and wellness in any environment.

It is a 3-section table equipped with 4 motors that adjust height and inclination of the backrest, the legrest and the whole table, which allows the Trendelenburg and anti-Trendelenburg positions.



The elegant columns, in aluminium or lacquered in brown, confer a maximum stability on the table.

The table frame is covered in the same material as the mattress, which gives a high-quality finish.



Performances

By means of the standard hand controller or the optional foot controller, almost all the table movements can be adjusted.



The large height-stroke (68 cm to 89 cm) eases the accessibility of the patients to the table.



The legrest and backrest inclination allows a wide range of treatments with the patient face up.



The anti-Trendelenburg position helps the exit from the table to the patients with reduced mobility or elderly people.



The Trendelenburg position is commonly used for lymph drainage to improve blood flow and fluid retention on the legs.



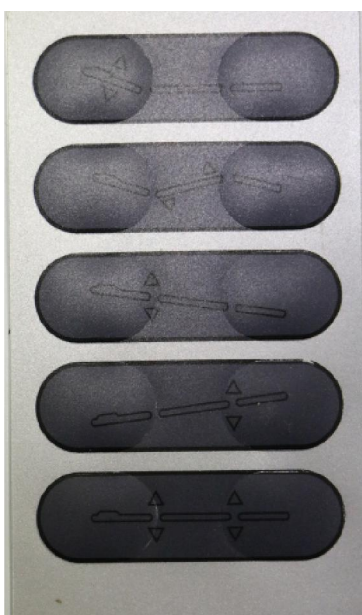
The headrest is equipped with a facial hole to provide comfort to the patients when they are face down.



The armrests can be adjusted by a gas-lift and they also help the professional during facial massages.



Position adjustments



If you press the first button, the **backrest** inclination can be adjusted.

If you press the second button, the **legrest** inclination can be adjusted.

If you press the third button, the inclination of the whole table can be adjusted, in the **Trendelenburg** position.

If you press the fourth button, the inclination of the whole table can be adjusted, in the **Antitrendelenburg** position.

If you press the fifth button, the **height** of the table can be adjusted.

Options

BROWN BASE

The reference **Tensor BROWN BASE** is already available, a table with a white upholstery and a base lacquered in brown.



TABLE COVER

Protect your table with the 4-pieces cover designed for the Tensor model.



RUBBER WHEELS

To ensure the table movement, Weelko offers rotating rubber wheels with brake.



Complete your space

The wooden trolleys in white and brown complement the Tensor table in your work-space.

EASY+ (Ref. 1019)



ASSIST (Ref. 1034)



HANDY (Ref. 1032)

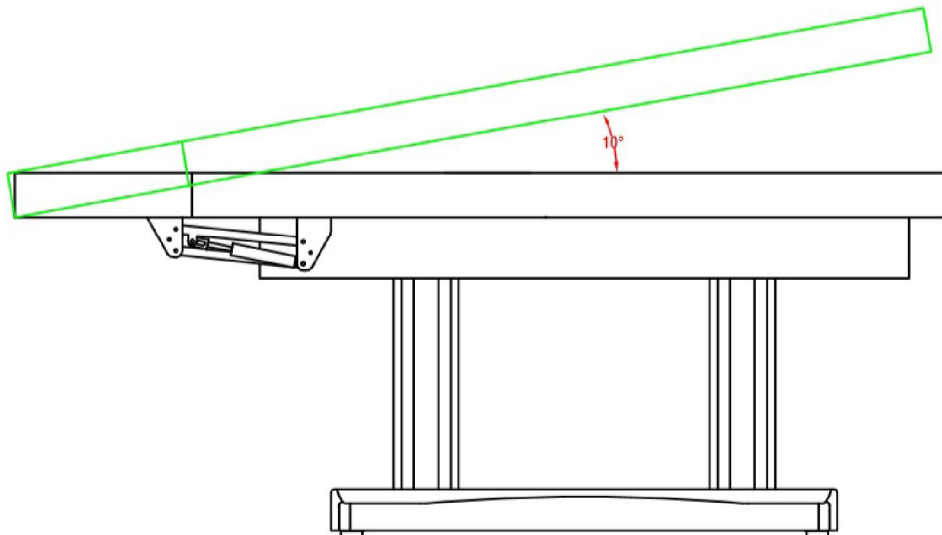
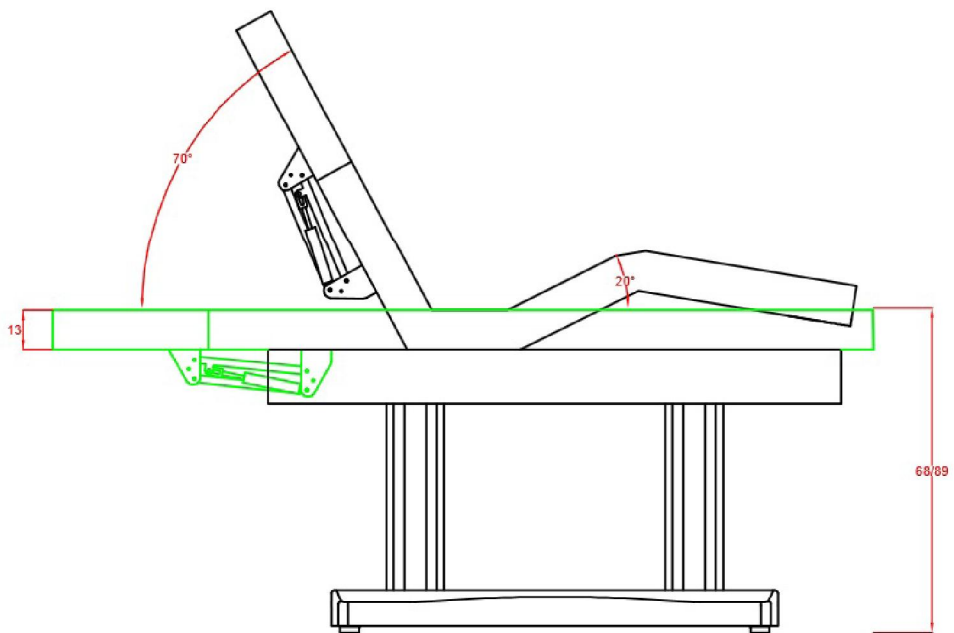
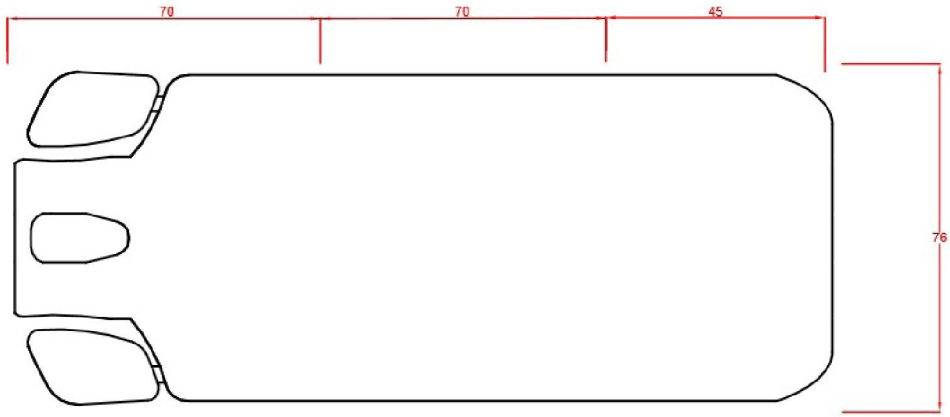


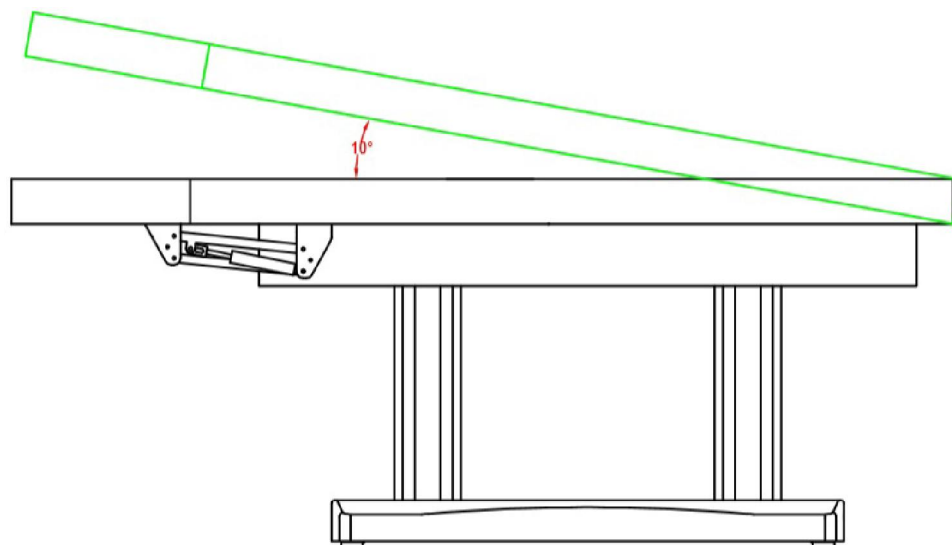
VANTAGE (Ref. 1033)



Technical specifications

Height	68 / 89 cm
Width	76 cm
Total length	185 cm
Base dimensions	121x54 cm
Cushion thickness	13 cm
Adjustment of the backrest angle	0°~+70°
Adjustment of the legrest angle	0°~-20°
Adjustable armrests	Yes, in height (±10 cm)
Facial hole	Yes
Maximum loading weight	200 kg
Upholstery	PU
Number of motors	4
Hand controller	Yes (standard)
Wheels	Optional
Reference	2249 / 2249 brown base
Voltage	220 V / 240 V
Frequency	50/60 Hz
Consumption	0,12 kWh
Net weight	104 kg
Gross weight	124 kg
Packaging size	204x81x72 cm
Assembly	It is delivered assembled



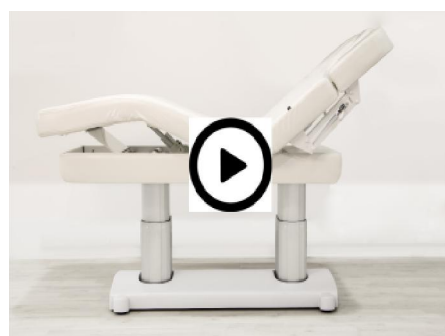
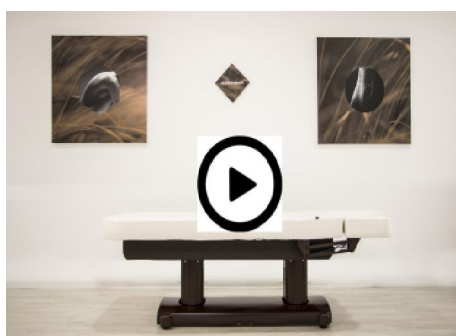


Video and web information

In order to find out all the particularities of the table and see all the details close up, there is a video at your disposal that shows all the performances, in which you can appreciate, for example, the quality of the finish.

Through our channels in vimeo and youtube, not only can you reproduce the video, but also download it and use it with your customers or publish it through your usual sale channels*.

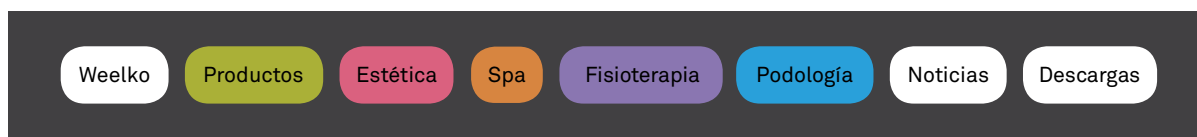
And remember that Weelko usually publishes videos and technical information about its products. Don't miss them!





Visit our TECHNICAL INFO and download all the technical information that you may need. Pictures, dossiers or technical sheets. Do not miss them.

Dossiers | Technical Zoom



Turn on the WEELKO TV at weelko.com and you will discover the spa table **Tensor** close up. Because a picture is worth than a hundred words!



vimeo

You Tube



weelko.com

Barcelona
Pol. Ind. La Valldan
Camí de Garreta, 92
08600 Berga
Barcelona – Spain
T. +34 93 824 90 20